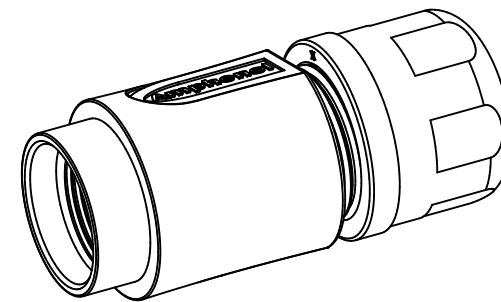
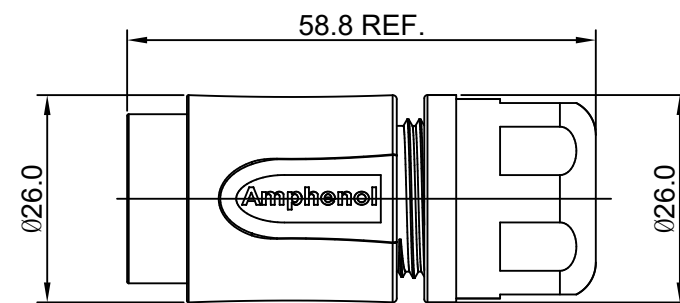
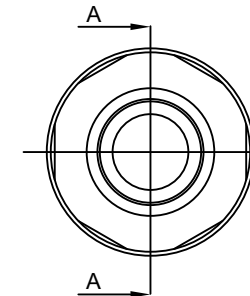
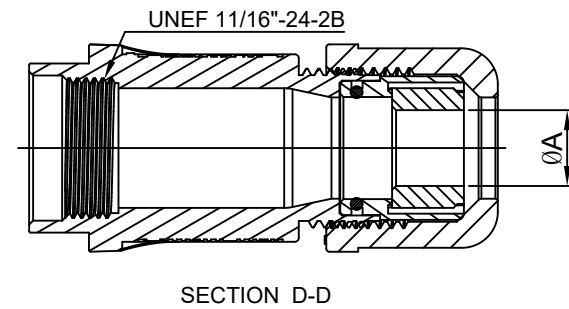


| REVISIONS | | | | | |
|-----------|-----|-----------------|------------|------|-------|
| REV | ECO | DESCRIPTION | DATE | BY | APPR |
| 01 | - | RELEASED NUMBER | 2017-11-09 | Nick | TOMMY |



| DIMENSION ϕA | CABLE OD RANGE |
|--------------------|----------------|
| 9.5 MM | 6.0~9.0MM |
| 12.2 MM | 8.5~12.0MM |

NOTES: (UNLESS OTHERWISE SPECIFIED)

- MATERIAL:
O-RING: SILICONE RUBBER.
BACK SHELL: THERMOPLASTIC, UL94 V-0.
CLAMP NUT: THERMOPLASTIC, UL94 V-0.
CLAMP RING: THERMOPLASTIC, UL94 V-0.
CABLE SEAL: EPDM.
- RoHS COMPLIANT.
- ALL DIMENSIONS ARE FOR REFERENCE USE ONLY.

| QUANTITY | PART NUMBER | DESCRIPTION | ITEM | | | | | | | | | | |
|--|-------------|---|---|------|-------------|------------|--------------|------------|-----------|------------|-----------------|------------|---|
| MATERIALS LIST | | | | | | | | | | | | | |
| <small>UNLESS OTHERWISE SPECIFIED</small> 1) All dimensions are in metric(mm). 2) Tolerances are as follows: 1 PL DEC ± 0.30 2 PL DEC ± 0.15 3 PL DEC ± 0.08 Fractions $\pm 1/64$ Angles $\pm 1^\circ$ 3) Note reference = | | <table border="1"> <thead> <tr> <th>SIGNATURES</th> <th>DATE</th> </tr> </thead> <tbody> <tr> <td>DRAWN: Nick</td> <td>2017-11-09</td> </tr> <tr> <td>CHECKED: Tod</td> <td>2017-11-09</td> </tr> <tr> <td>ENGINEER:</td> <td></td> </tr> <tr> <td>APPROVAL: Tommy</td> <td>2017-11-09</td> </tr> </tbody> </table> | SIGNATURES | DATE | DRAWN: Nick | 2017-11-09 | CHECKED: Tod | 2017-11-09 | ENGINEER: | | APPROVAL: Tommy | 2017-11-09 | <div style="text-align: center;"> <h1>Amphenol</h1> <p>Sine Systems - www.amphenol-sine.com 44724 Morley Drive Clinton Township, MI 48036</p> </div> |
| SIGNATURES | DATE | | | | | | | | | | | | |
| DRAWN: Nick | 2017-11-09 | | | | | | | | | | | | |
| CHECKED: Tod | 2017-11-09 | | | | | | | | | | | | |
| ENGINEER: | | | | | | | | | | | | | |
| APPROVAL: Tommy | 2017-11-09 | | | | | | | | | | | | |
| MATERIAL SPECIFICATIONS: | | CUSTOMER: | ECO-MATE, CORD GRIP, RTS, SIZE 12. | | | | | | | | | | |
| PROCESS SPECIFICATIONS: | | <small>THIS DRAWING IS SUPPLIED FOR INFORMATION ONLY. DESIGN FEATURES, SPECIFICATIONS AND PERFORMANCE DATA SHOWN HEREON ARE THE PROPERTY OF THE AMPHENOL CORPORATION. NO RIGHTS OF REPRODUCTION ARE IMPLIED. ALL DIMENSIONS ARE SUBJECT TO NORMAL MANUFACTURING VARIATIONS.</small> | <table border="1"> <tr> <td>SIZE</td> <td>TYPE</td> <td>DWG NO:</td> <td>REVISION</td> </tr> <tr> <td>B</td> <td>C-</td> <td>RTS0L-12CG</td> <td>A1</td> </tr> </table> | SIZE | TYPE | DWG NO: | REVISION | B | C- | RTS0L-12CG | A1 | | |
| SIZE | TYPE | DWG NO: | REVISION | | | | | | | | | | |
| B | C- | RTS0L-12CG | A1 | | | | | | | | | | |
| NEXT ASSY: | SCALE: NONE | SHEET 1 OF 1 | | | | | | | | | | | |

TITLE: ECO-MATE, CORD GRIP, RTS, SIZE 12. DWG NO: RTS0L-12CG REV: A1 SH: 1 OF: 1