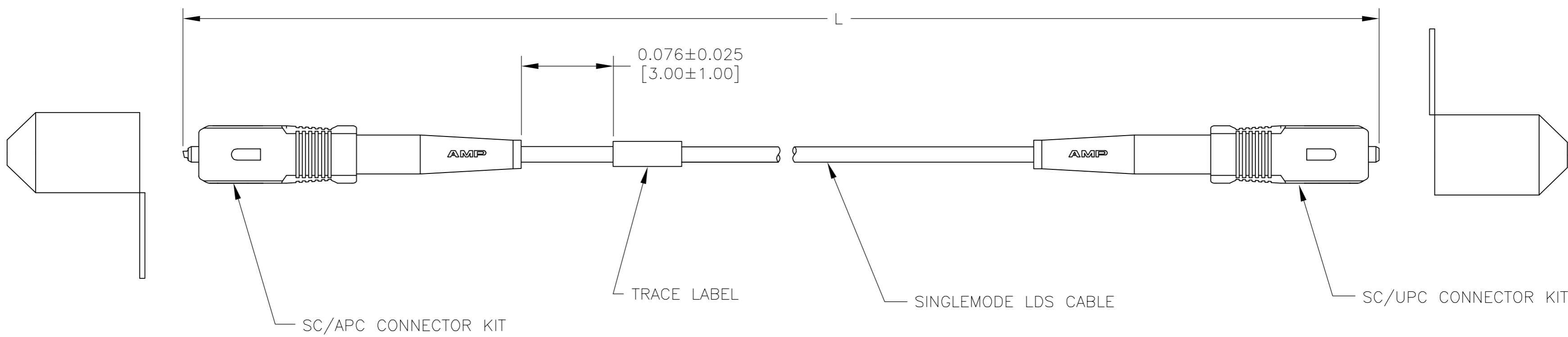


THIS DRAWING IS UNPUBLISHED. RELEASED FOR PUBLICATION
 © COPYRIGHT BY TYCO ELECTRONICS CORPORATION. ALL RIGHTS RESERVED.

LOC	DIST	REVISIONS					
CE	16	P	LTR	DESCRIPTION	DATE	DWN	APVD
		A		RELEASE PER NPR	14 DEC 05	CSV	JD



1. DIMENSIONS IN [] ARE IN INCHES
2. 0.5dB MAX INSERTION LOSS
3. 55 dB MIN RETURN LOSS (SC (NG))
65 dB MIN RETURN LOSS (SC/APC)
4. PRODUCT AND PROCESSING MUST MEET REQUIREMENTS OF TYCO ELECTRONICS STANDARD 230-702

61.00±0.60	[2400.0±24.0]	9-5492191-1
200.00±2.00	[7874.02±78.74]	9-5492191-0
25.00±0.30	[985.25±11.81]	2-5492191-5
20.00±0.30	[787.0±12.0]	2-5492191-0
0.56±0.03	[22.05±1.18]	1-5492191-7
0.36±0.03	[14.17±1.18]	1-5492191-6
15.00±0.15	[590.55±5.91]	1-5492191-5
14.00±0.15	[551.20±6.00]	1-5492191-4
10.00±0.15	[393.70±5.91]	1-5492191-0
8.00±0.15	[315.0±6.00]	5492191-8
7.00±0.08	[275.59±3.15]	5492191-7
6.00±0.08	[236.22±3.15]	5492191-6
5.00±0.08	[196.85±3.15]	5492191-5
4.00±0.08	[157.48±3.15]	5492191-4
3.00±0.05	[118.11±1.97]	5492191-3
2.00±0.05	[78.74±1.97]	5492191-2
1.00±0.05	[39.37±1.97]	5492191-1
L		PART NUMBER

THIS DRAWING IS A CONTROLLED DOCUMENT.		DWN	C.S.VASU	14 DEC 05	 Tyco Electronics Corporation Harrisburg, PA 17105-3608														
DIMENSIONS: METERS [INCHES]		CHK	J.DUNCAN	14 DEC 05															
TOLERANCES UNLESS OTHERWISE SPECIFIED:		APVD	J.DUNCAN	14 DEC 05															
<table border="0"> <tr><td>0 PLC</td><td>± -</td></tr> <tr><td>1 PLC</td><td>± -</td></tr> <tr><td>2 PLC</td><td>± -</td></tr> <tr><td>3 PLC</td><td>± -</td></tr> <tr><td>4 PLC</td><td>± -</td></tr> <tr><td>ANGLES</td><td>± -</td></tr> <tr><td>FINISH</td><td>-</td></tr> </table>		0 PLC	± -	1 PLC		± -	2 PLC	± -	3 PLC	± -	4 PLC	± -	ANGLES	± -	FINISH	-	PRODUCT SPEC	NAME	
0 PLC	± -																		
1 PLC	± -																		
2 PLC	± -																		
3 PLC	± -																		
4 PLC	± -																		
ANGLES	± -																		
FINISH	-																		
MATERIAL	-	APPLICATION SPEC	-		RESTRICTED TO	-													
WEIGHT		-		SIZE	A2	CAGE CODE	00779	DRAWING NO	C=5492191										
CUSTOMER DRAWING		SCALE		NTS		SHEET	1 of 1		REV	A									