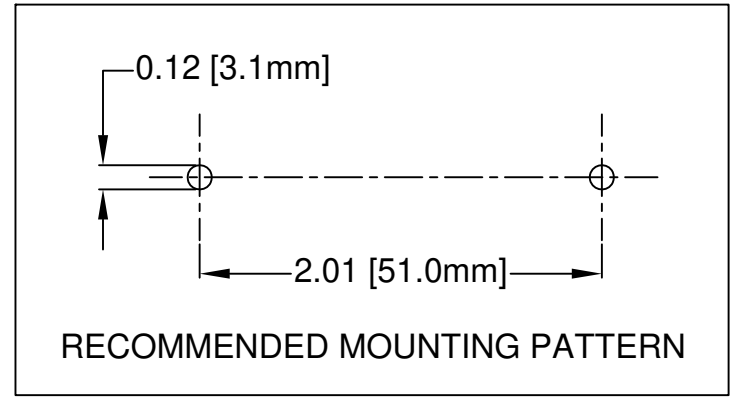
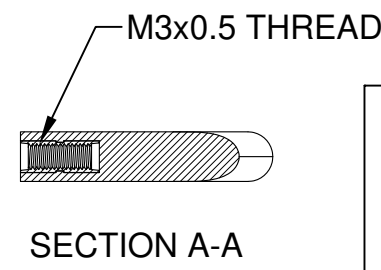
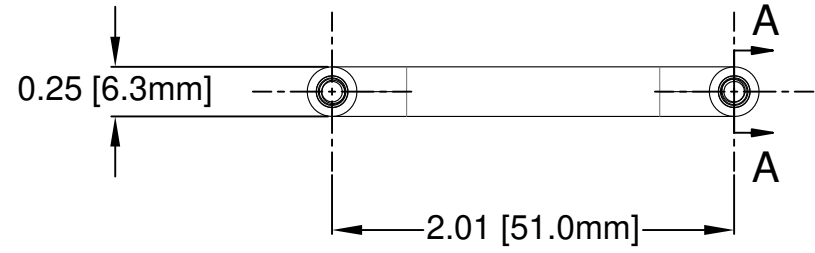
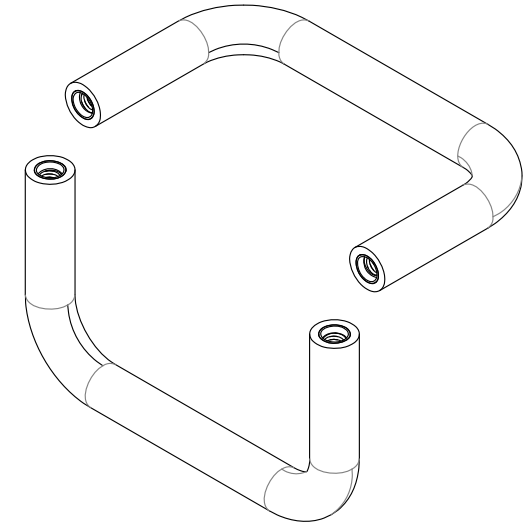
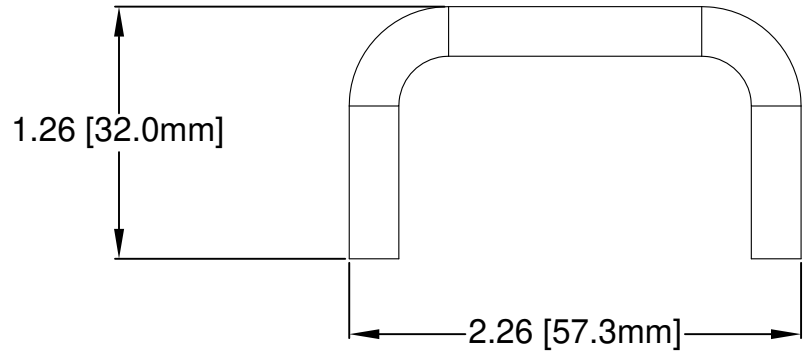
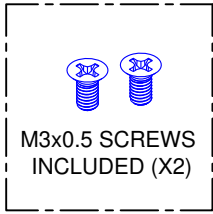


REV.	DESCRIPTION	DATE	APPROVED
A	Engineering Release	08/13/14	J. C.
B	Engineering Update w/o Changes	05/21/16	J. C.



NOTES:
 2. MOUNTING HARDWARE SHIPPED SEPARATELY
 1. MATERIALS: HANDLE, UL94V-HB NYLON 6/6, A216V15+15% GLASS FILLED / BRASS NUT

STANDARD TOLERANCE (UNLESS OTHERWISE SPECIFIED)		 4 THOMAS, IRVINE, CA. 92618 TEL: (949) 951-8808 FAX: (949) 951-3974	
DECIMALS	ANGULAR		
.X ± .1	X° ± 1°		TITLE: MOLDED HANDLE, BRASS INSERT, LARGE
.XX ± .02			PART NO: SRH-2RUMB
.XXX ± .010		DESIGNED: A. Wright	REVISION: B
		CHECKED: B. Oliver	CAGE CODE : 32559 SHEET # 1 OF 1
		DATE: 08/13/14	CAD GENERATED DOCUMENT. DO NOT MEASURE DRAWING.