

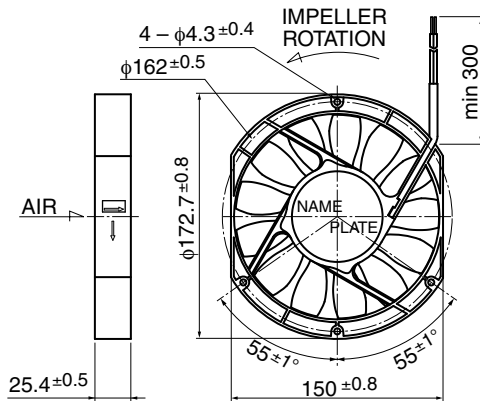
15025PA (5910PL)

DC Axial Fan

150X^Φ172X25^L



Outline



General Specifications

Motor Protection Auto Restart / Polarity Protection

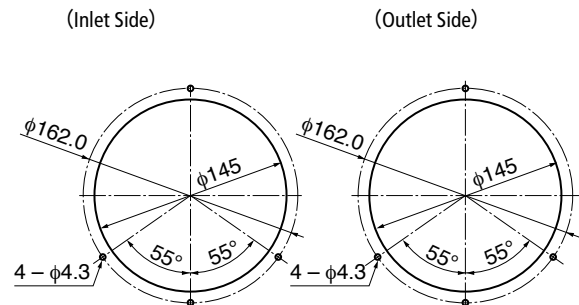
Insulation Resistance 10MΩ or over with a DC500V Megger
Dielectric Withstand Voltage : AC700V 1s

Allowable Ambient : -10°C ~ +70°C (Operating)
Temperature Range : -40°C ~ +70°C (Storage)
non-condensing environment

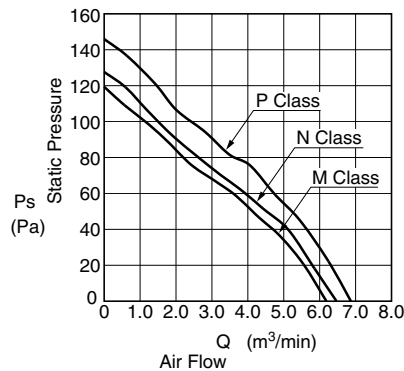
Expected Life ※ Failure Rate: 10% (L10 Life)

25°C 100,000 (Hours)

Panel Out-cuts



Characteristic Curves



Material

Casing : Aluminum (Black Painting)
Impeller : Plastic (Black) UL94V-0
Bearing : Ball Bearing
Lead Wire : UL10368 AWG24 + : Red, - : Black

Specifications

Model	Product No.	Rating Voltage	Operating Voltage	Current	Input Power	Speed	Max. Air Flow		Max. Static Pressure	Noise	Mass	
		(V)	(V)				(m³/min)*1	(CFM)*1				
15025PA-24M-AA-	00	24	18.0 ~ 26.4	0.89	21.4	3350	6.1	215	118	0.47	500	
15025PA-24N-AA-	00			0.99	23.8	3500	6.4	226	127	0.51		
15025PA-24P-AA-	00			1.18	28.3	3750	6.8	240	145	0.58		64.0
15025PA-48M-AA-	00	48	38.0 ~ 52.8	0.44	21.1	3350	6.1	215	118	0.47		
15025PA-48N-AA-	00			0.50	24.0	3500	6.4	226	127	0.51		61.5
15025PA-48P-AA-	00			0.59	28.3	3750	6.8	240	145	0.58		64.0

Rotation: Counterclockwise as seen from the label side
Airflow Outlet: Label side

*1: Average Values in Free Air