

MATERIALS AND FINISHES

BODY: BRASS  
PLATED: TRI-METAL

CONTACT: PHOSPHOR BRONZE  
PLATED: SILVER

OUTER CONTACT: BRASS  
PLATED: SILVER

INSULATOR:TEFLON

O-RING: SILICONE RUBBER

DUST CAP: LDPE  
COLOR: NATURAL

PERFORMANCE REQUIREMENTS

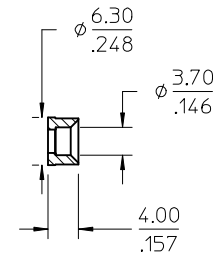
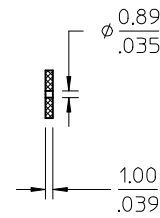
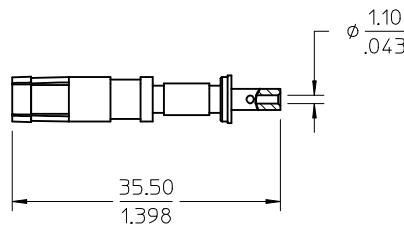
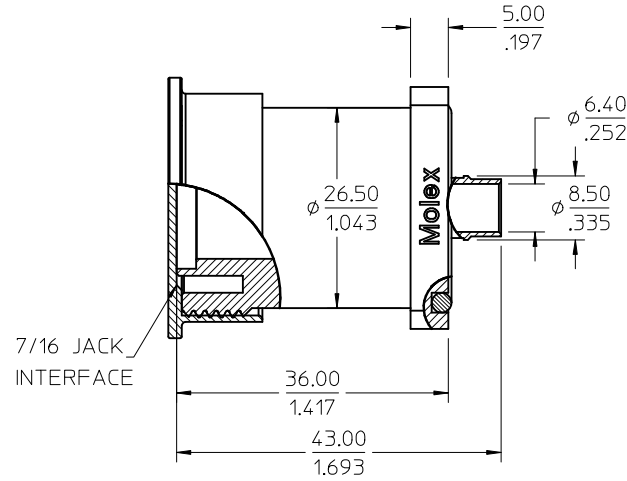
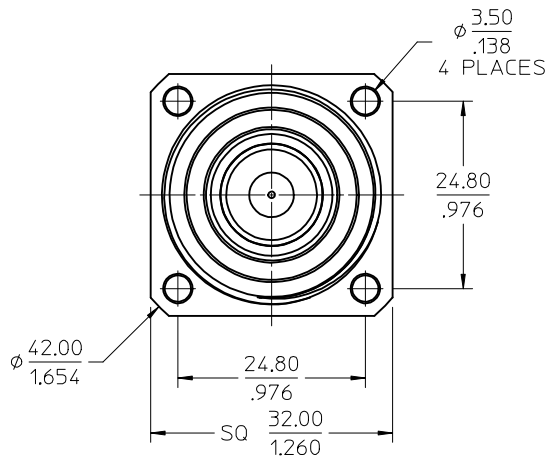
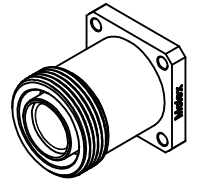
FREQUENCY RANGE: 0-3000MHZ

IMPEDANCE: 50 OHMS

VSWR: ≤1.10 @0~2700MHz

PIM3 (2x43dBm): ≤-158dBc @900MHz AND 1800MHz

PACKING: BY TRAY

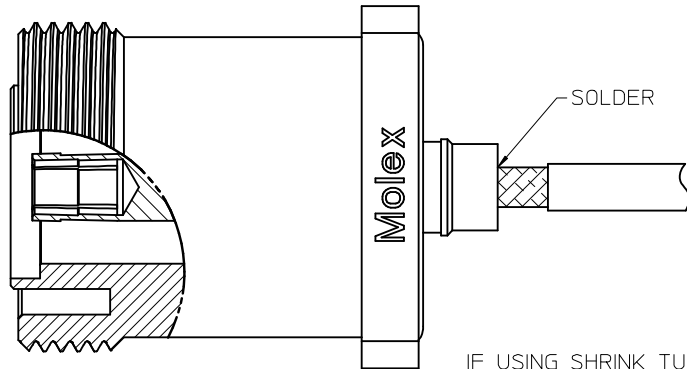
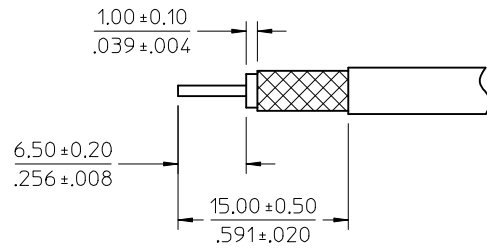


PART # 73134-0030

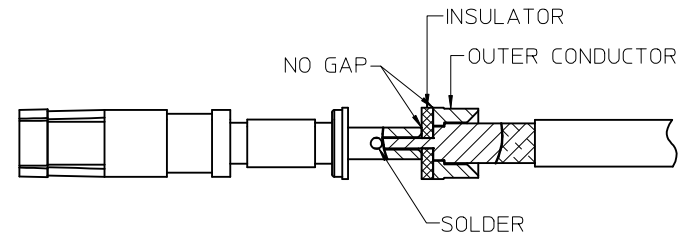
PS-89675-335	PRODUCT SPECIFICATION
IEC60169-4	INTERFACE
SPECIFICATION	DESCRIPTION

CHG: ADD PS. EC NO: URF2016-0361 DRAWN:HUANG11 2015/11/04 CHKD: APPR:MYE08 2015/11/06	QUALITY SYMBOLS	GENERAL TOLERANCES (UNLESS SPECIFIED)	DIMENSION STYLE	SCALE	DESIGN UNITS	THIRD ANGLE PROJECTION
	▽=0	mm INCH	MM/IN	METRIC	◎	
	▽=0	4 PLACES ± --- ± ---	DRAWN BY DATE	TITLE		
	▽=0	3 PLACES ± --- ± ---	LCHEN03 2010/04/13	7/16 JACK FLANGE FOR 141 CABLE		
		2 PLACES ± --- ± ---	CHECKED BY DATE	molex		
		1 PLACE ± --- ± ---	JSHA001 2010/04/13			
		0 PLACE ± --- ± ---	APPROVED BY DATE	DOCUMENT NO.		
		ANGULAR ± 2 °	SRZHAO 2010/06/29	SD-73134-003		
		DRAFT WHERE APPLICABLE MUST REMAIN WITHIN DIMENSIONS	MATERIAL NO.	SHEET NO.		
A3			731340030	1 OF 2		
			THIS DRAWING CONTAINS INFORMATION THAT IS PROPRIETARY TO MOLEX INCORPORATED AND SHOULD NOT BE USED WITHOUT WRITTEN PERMISSION			

141 CABLE  
RECOMMENDED STRIPPING DIMENSIONS



IF USING SHRINK TUBE  
PLACE IT ONTO CABLE BEFORE  
SOLDERING BRAID TO BODY



CHG: SEE SHEET 1 EC NO: URF2016-0361 DRWN: HUANG11 2015/11/04 CHKD: APPR: MYE08 2015/11/06	QUALITY SYMBOLS	GENERAL TOLERANCES (UNLESS SPECIFIED)		DIMENSION STYLE	SCALE	DESIGN UNITS	THIRD ANGLE PROJECTION	
	▽=0	mm	INCH	MM/IN		METRIC		
	▽=0	4 PLACES ±	±		DRAWN BY	DATE	TITLE	
	▽=0	3 PLACES ±	±		LCHEN03	2010/04/13	7/16 JACK FLANGE FOR 141 CABLE	
		2 PLACES ±	±		CHECKED BY	DATE		
		1 PLACE ±	±		JSHA001	2010/04/13		
		0 PLACE ±	±		APPROVED BY	DATE		
					SRZHAO	2010/06/29		
		ANGULAR ± 2 °		MATERIAL NO.	DOCUMENT NO.		SHEET NO.	
		DRAFT WHERE APPLICABLE MUST REMAIN WITHIN DIMENSIONS		SEE SHEET 1	SD-73134-003		2 OF 2	
		THIS DRAWING CONTAINS INFORMATION THAT IS PROPRIETARY TO MOLEX INCORPORATED AND SHOULD NOT BE USED WITHOUT WRITTEN PERMISSION						