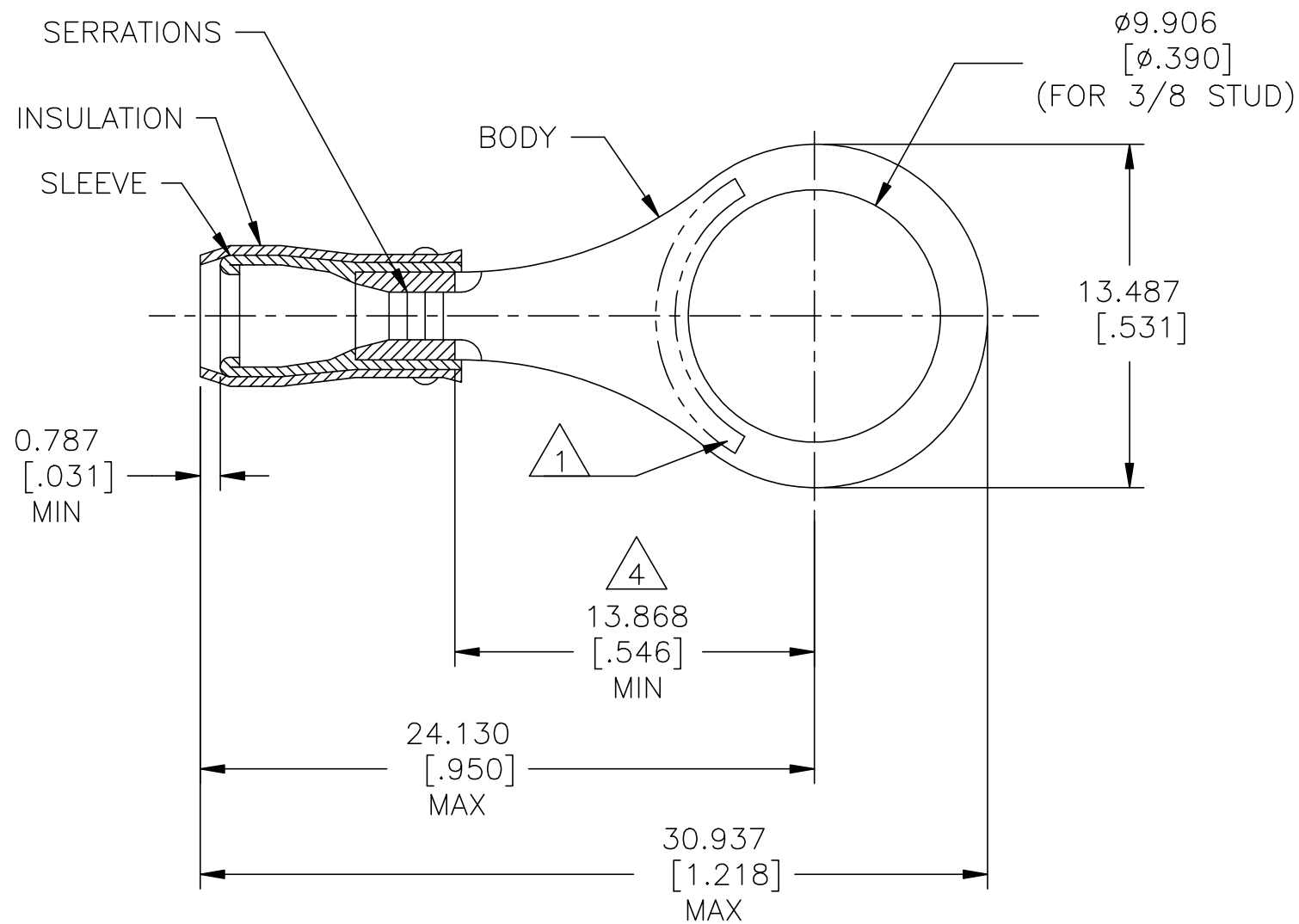
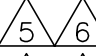
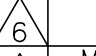
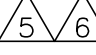
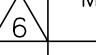


| P | LTR | DESCRIPTION               | DATE      | DWN | APVD |
|---|-----|---------------------------|-----------|-----|------|
|   | Z   | REVISED PER ECR-23-175984 | 31MAY2023 | BB  | DSC  |

|                                |  |   |
|--------------------------------|--|---|
| <b>AMP</b><br>WIRE RANGE       |  E13288<br>Listed |  LR7189<br>Certified |
| 22-16 AWG<br>SOLID OR STRANDED | 22-16 AWG<br>STRANDED  | 22-16 AWG<br>SOLID OR STRANDED  |



- 1 STAMP AMP 22-18\* LOCATE APPROX AS SHOWN 22-16 TERMINALS ARE STAMPED 22-18 IN ACCORDANCE WITH MILITARY SPEC SAE AS7928 COMMERCIAL WIRE RANGE IS 22-16.
- 2 WIRE INSULATION DIA :  $\phi 2.032[\phi .080]-\phi 3.175[\phi .125]$ .
- 3 BODY MATERIAL THK:  $0.787\pm 0.051[.031\pm .002]$ .
- 4 APPLIES FROM EDGE OF METAL WIRE BARREL TO CENTER OF STUD HOLE.
- 5 UL LISTED
- 6 CSA CERTIFIED
- 7 MATERIAL:  
BODY & SLEEVE - COPPER PER ASTM B152  
INSULATION - NYLON
- 8 FINISH:  
BODY & SLEEVE - TIN PLATE  $0.00254[.000100]$   
MIN EXT THK PER ASTM B545  
INSULATION COLOR - RED

|   |                           |          |              |            |
|---|---------------------------|----------|--------------|------------|
|   | -                         | 5000     | ON TAPE      | 2-320573-4 |
|   | MS 25036-105<br>CLASS 1   | 1000     | LOOSE PIECE  | 320573     |
|   | MILITARY P/N<br>AND CLASS | QUANTITY | PACKAGE TYPE | PART NO    |

AMP INCORPORATED  
CUSTOMER SERVICE SYSTEMS

MAX RECOMMENDED OPERATING  
TEMPERATURE:  
105°C[221°F] MAX

THIS DRAWING IS A CONTROLLED DOCUMENT.

|      |           |      |
|------|-----------|------|
| DWN  | DK SCHRUM | 9/93 |
| CHK  | RE HERSEY | 9/93 |
| APVD | ML ELLIS  | 9/93 |



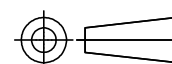
FOR ADDITIONAL  
PRODUCT INFORMATION OR  
COPIES OF DRAWINGS  
AND TECHNICAL DOCUMENTS

PRODUCT INFORMATION CENTER  
1-800-522-6752

VOLTAGE RATING:  
300 V MAX

DIMENSIONS:  
mm [INCHES]

TOLERANCES UNLESS  
OTHERWISE SPECIFIED:



|        |               |
|--------|---------------|
| 0 PLC  | ± -           |
| 1 PLC  | ± -           |
| 2 PLC  | ± -           |
| 3 PLC  | ± 0.127[.005] |
| 4 PLC  | ± -           |
| ANGLES | ± -           |

PRODUCT SPEC  
UL 486A-B 

NAME  
TERMINAL, RING TONGUE,  
PIDG™, WIRE SIZE, 22-16 AWG

FOR APPLICATION  
TOOLING INFORMATION

TOOLING ASSISTANCE CENTER  
1-800-722-1111

CIRCULAR MIL AREA:  
0.26-1.65mm (509-3,260) CIR MILS  
SOLID OR STRANDED

MATERIAL

FINISH



APPLICATION SPEC  
114-2157

WEIGHT  
-

|      |           |            |               |
|------|-----------|------------|---------------|
| SIZE | CAGE CODE | DRAWING NO | RESTRICTED TO |
| A3   | 00779     | C=320573   | -             |


FOR ORDER ENTRY  
1-800-526-5142

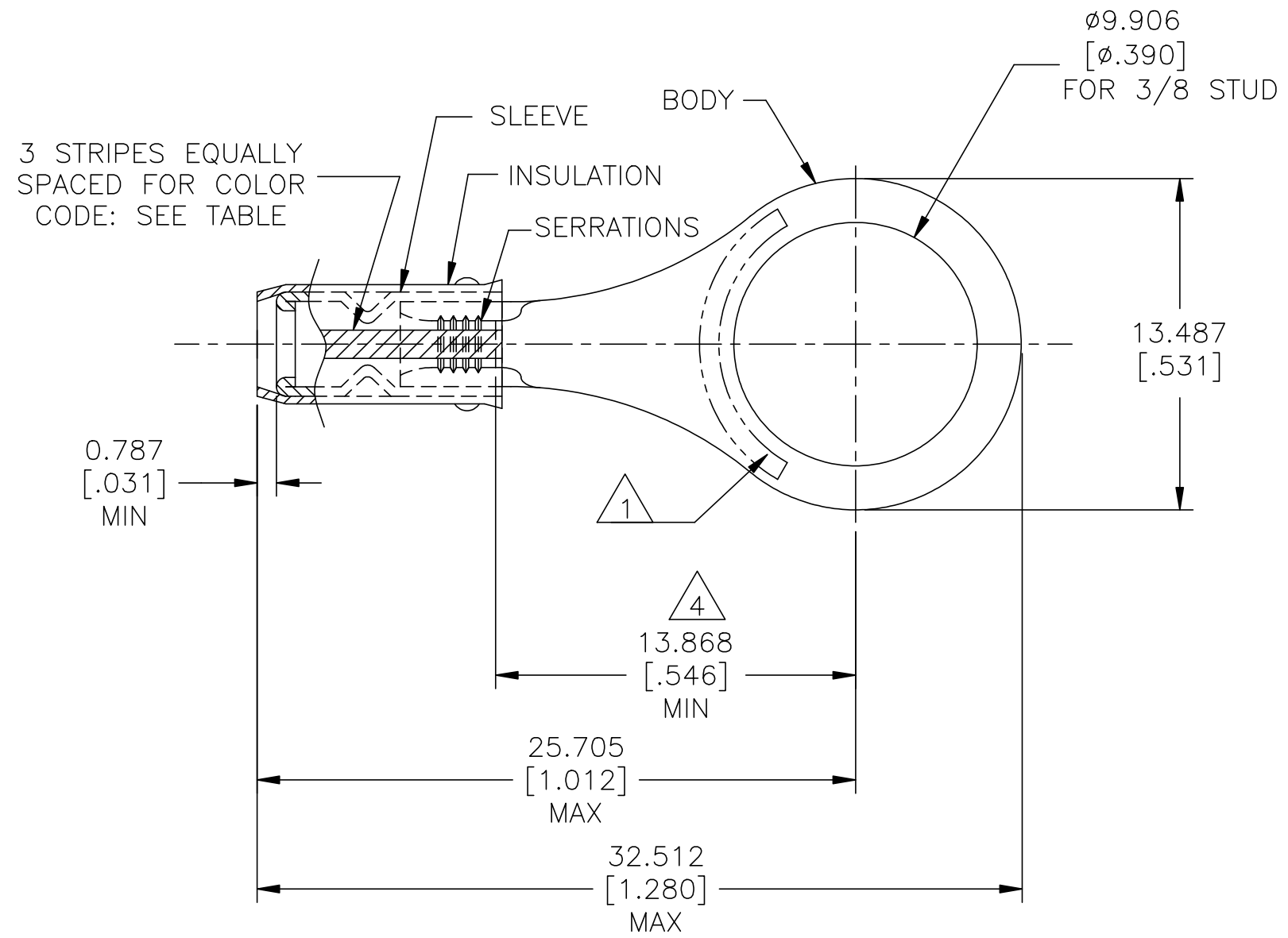
CUSTOMER DRAWING

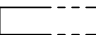
SCALE 4:1 SHEET 1 OF 2 REV Z

© - TE Connectivity. All Rights Reserved.

| REVISIONS |     |             |      |      |
|-----------|-----|-------------|------|------|
| P         | LTR | DESCRIPTION | DATE | APVD |
| -         | -   | SEE SHEET 1 | -    | -    |

|                          |   |
|--------------------------|---|
| <b>AMP</b><br>WIRE RANGE |  LR7189<br>Certified |
| SEE TABLE<br>STRANDED    | WIRE SIZE PER<br>TABLE STRANDED   |



- 1 STAMP AMP  LOCATE APPROX AS SHOWN SEE TABLE BELOW.
- 2 WIRE INSULATION DIA :  $\phi 0.965-2.794[\phi 0.038-.110]$  FOR 22 AWG.  
 $\phi 1.168-2.794[\phi 0.046-.110]$  FOR 20 AWG.  
 $\phi 1.422-2.794[\phi 0.056-.110]$  FOR 18 AWG.
- 3 BODY MATERIAL THK:  $0.787 \pm 0.051[.031 \pm .002]$ .
- 4 APPLIES FROM EDGE OF METAL WIRE BARREL TO CENTER OF STUD HOLE.
- 5 CSA CERTIFIED
- 6 MATERIAL:  
BODY & SLEEVE - COPPER PER ASTM B152  
INSULATION - NYLON
- 7 FINISH:  
BODY & SLEEVE - TIN PLATE  $0.00254[.000100]$  MIN EXT THK PER ASTM B545  
INSULATION COLOR - RED

|   |                           |              |     |          |           |             |              |         |
|---|---------------------------|--------------|-----|----------|-----------|-------------|--------------|---------|
| 5 | M7928/1-36<br>CLASS 1     | WHITE        | 18* | 18       | 1000      | LOOSE PIECE | 2-320573-3   |         |
| 5 | M7928/1-27<br>CLASS 1     | RED          | 20* | 20       |           |             | 2-320573-2   |         |
| 5 | M7928/1-18<br>CLASS 1     | GREEN        | 22* | 22       |           |             | 2-320573-1   |         |
|   | MILITARY P/N<br>AND CLASS | STRIPE COLOR | 1   | STAMPING | WIRE SIZE | QTY         | PACKAGE TYPE | PART NO |

AMP INCORPORATED  
CUSTOMER SERVICE SYSTEMS

MAX RECOMMENDED OPERATING  
TEMPERATURE:  
105°C[221°F] MAX

THIS DRAWING IS A CONTROLLED DOCUMENT.

|                  |           |      |
|------------------|-----------|------|
| DWN              | DK SCHRUM | 9/93 |
| CHK              | RE HERSEY | 9/93 |
| APVD             | ML ELLIS  | 9/93 |
| PRODUCT SPEC     |           |      |
| APPLICATION SPEC |           |      |
| 114-2157         |           |      |
| WEIGHT           |           |      |

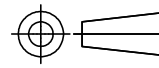


FOR ADDITIONAL  
PRODUCT INFORMATION OR  
COPIES OF DRAWINGS  
AND TECHNICAL DOCUMENTS

PRODUCT INFORMATION CENTER  
1-800-522-6752

VOLTAGE RATING:  
300 V MAX

|             |                             |
|-------------|-----------------------------|
| WIRE RANGE: | CIRC MIL AREA               |
| 22          | 0.38mm <sup>2</sup> [754]   |
| 20          | 0.60mm <sup>2</sup> [1,186] |
| 18          | 0.96mm <sup>2</sup> [1,900] |
|             | STRANDED                    |

|   |   |
|---|---|
| DIMENSIONS:<br>mm [INCHES]  | TOLERANCES UNLESS<br>OTHERWISE SPECIFIED: |
|  | 0 PLC ± -                                 |
|   | 1 PLC ± -                                 |
|   | 2 PLC ± -                                 |
|   | 3 PLC ± 0.127[.005]                       |
|   | 4 PLC ± -                                 |
|   | ANGLES ± -                                |

NAME  
TERMINAL, RING TONGUE,  
I.R., PIDG™,  
WIRE SIZE, 22,20 & 18 AWG

FOR APPLICATION  
TOOLING INFORMATION

TOOLING ASSISTANCE CENTER  
1-800-722-1111

STRANDED

MATERIAL

FINISH

114-2157

|      |           |            |               |
|------|-----------|------------|---------------|
| SIZE | CAGE CODE | DRAWING NO | RESTRICTED TO |
| A3   | 00779     | C-320573   | -             |

FOR ORDER ENTRY  
1-800-526-5142

AMP INCORPORATED  
CUSTOMER SERVICE SYSTEMS

THIS DRAWING IS A CONTROLLED DOCUMENT.

CUSTOMER DRAWING

|       |        |     |
|-------|--------|-----|
| SCALE | SHEET  | REV |
| 4:1   | 2 OF 2 | Z   |