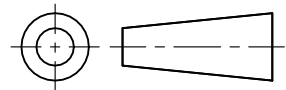


DO NOT SCALE

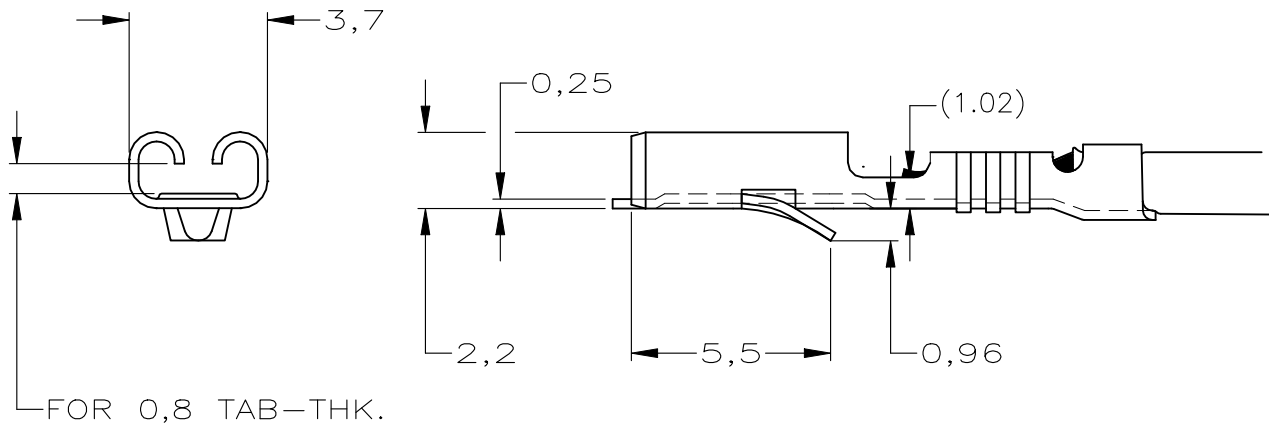
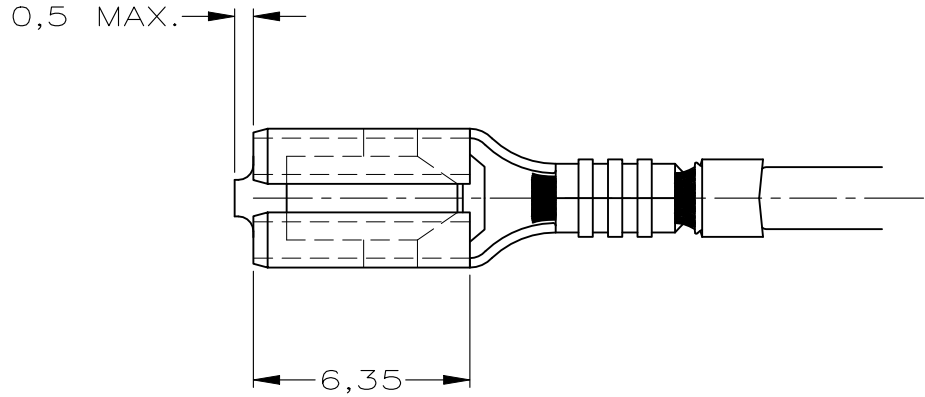
DIMENSIONS IN mm

METRIC

THIRD ANGLE  
PROJECTION



WIRE RANGE :  
0,3-0,6 mm<sup>2</sup> 22-20AWG  
INSULATION RANGE :  
1,3-2,0 DIA .050-.080 DIA



FOR 0,8 TAB-THK.

NOTE:

OBSOLETE PARTS: OBSOLETE CIS STREAMLINING PER D.RENAUD/D.SINISI

FINISH	MATERIAL		PARTNUMBER
TINPLATED	PH. BRONZE		160173-7
UNPLATED	PH. BRONZE		160173-6
GOLDPLATED	BRASS		160173-5
NICKELPLATED	BRASS		160173-4
SILVERPLATED	BRASS		160173-3
TINPLATED	BRASS		160173-2
UNPLATED	BRASS		160173-1

					<b>CUSTOMER DRAWING</b>		FOR REFERENCE ONLY WILL NOT BE UPDATED	
					© COPYRIGHT 19 - BY AMP HOLLAND B.V.		ALL INTERNATIONAL RIGHTS RESERVED. AMP PRODUCTS MAY BE COVERED BY U.S. AND FOREIGN AND/OR PATENTS PENDING.	
					THIS DRAWING IS UNPUBLISHED		RELEASED FOR PUBLICATION _____, 19 _____	
E	ECR-21-100133	BDA	DH	10FEB2021	TE Connectivity		AMP HOLLAND B.V. 's-Hertogenbosch, The Netherlands.	
D1	ECO-10-000443	KK	HMR	18JAN10	NAME			
D	EH-0065-95	DK	PB	18 JAN 95	.110 SRS FASTIN-ON RECEPTACLE			
LTR.	REVISION RECORD	DR.	CHK.	DATE				
DR.:	D.KESSLER	CHK.:	P.BEIJNON	APP.:	L.v.SOEST	DWG.No.	REV.LTR.	SHEET
DATE:	18 JAN 95	DATE:	-	DATE:	-	C- 160173	E	1 OF 1
								A4