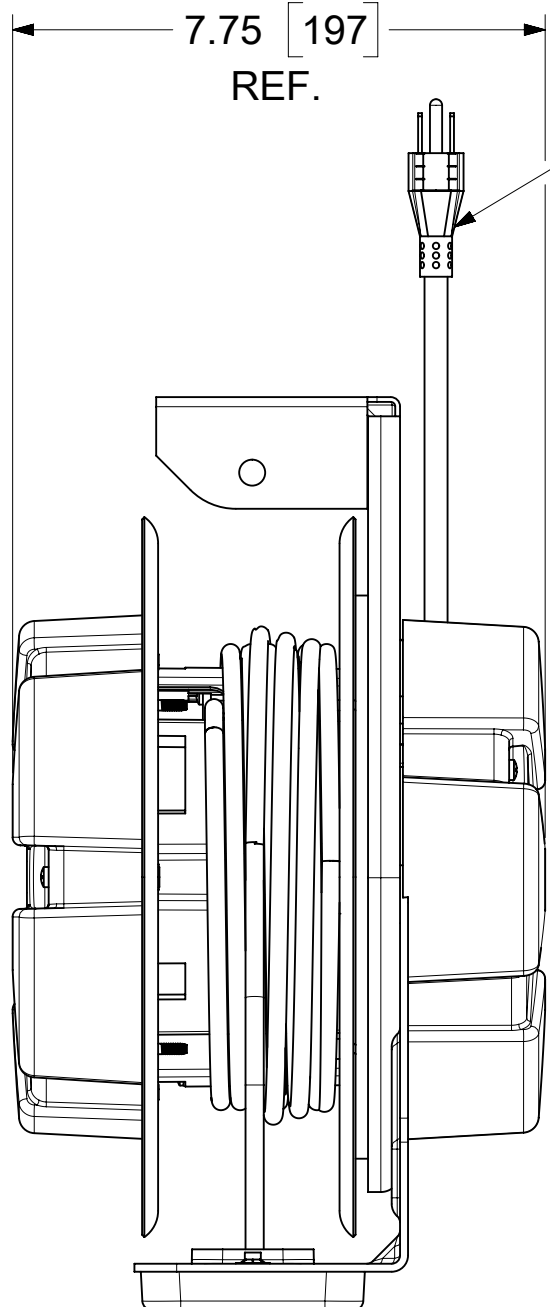
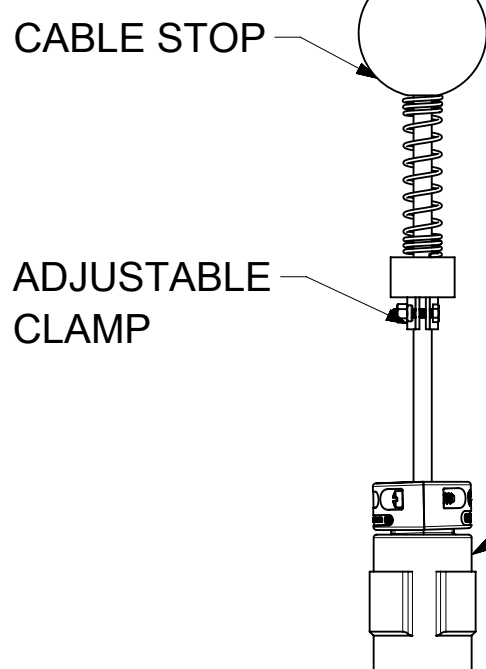


ORDER NO	130091-0087
WOODHEAD ENG. NO	997-1547
WIRE GAUGE	12
CONDUCTORS	3
AMPERAGE	15A
WORKING CORD	35 FT. BLACK
CORD TYPE	SJTOW
CONSTRUCTION	STEEL
PAINT	YELLOW POWDER COAT
REEL ENCLOSURE RATING	INDOOR
RETRACTION WEIGHT	3.0 LB [1.4 KG]



NEMA 5-15
MOLDED PLUG



NEMA 5-15
ASSEMBLED CONNECTOR
COLOR YELLOW

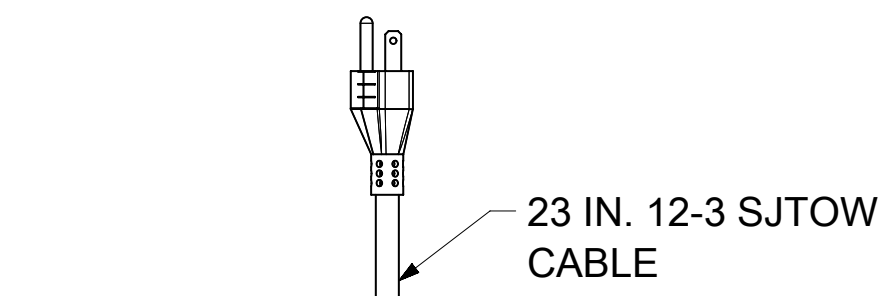


FACE VIEW OF
CONNECTOR

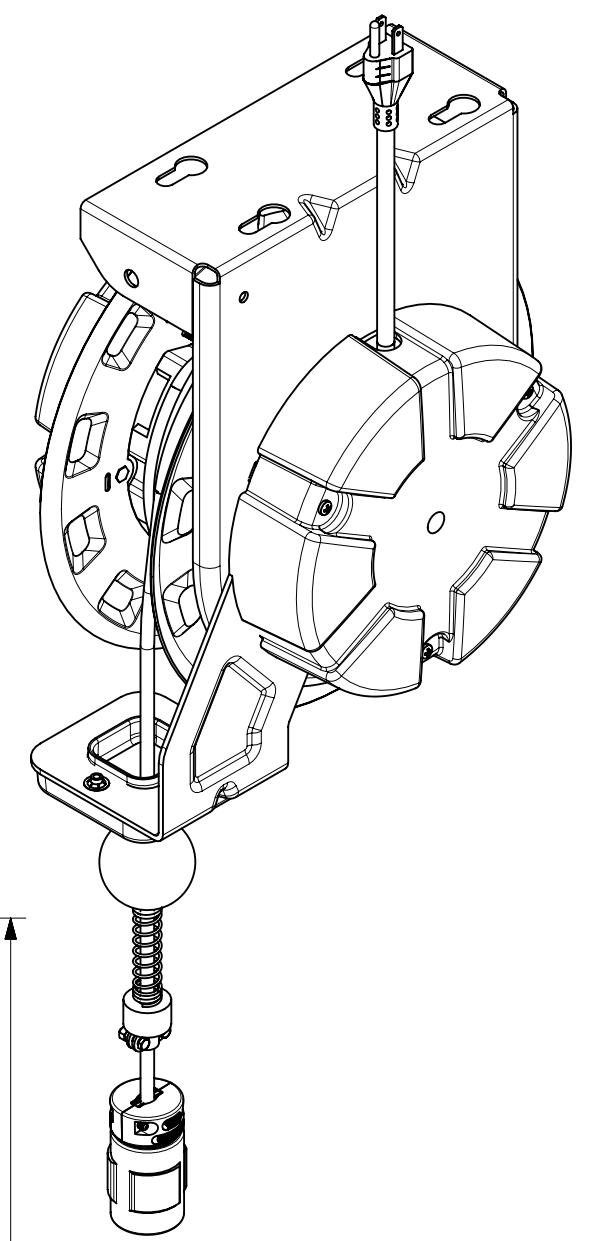
4X DIA.41 [10.3] REF.

2.44 [62.0]
REF.

5.59 [142] REF.



23 IN. 12-3 SJTOW
CABLE



14.25 [362]
REF.

GUIDE ARM
CAN ROTATE 90°

11.75 [298.4]
REF.

NOTES:

1. CABLE GUIDE IS ADJUSTABLE - DUAL POSITION
2. RATCHET LOCK IS EASY TO DISENGAGE FOR CONSTANT TENSION
3. REEL CANNOT BE "LOCKED OUT" AT FULL TENSION
4. CABLE STOP INCULDED

FUNCTIONAL SYMBOLS	THIS DRAWING CONTAINS INFORMATION THAT IS PROPRIETARY TO MOLEX ELECTRONIC TECHNOLOGIES, LLC AND SHOULD NOT BE USED WITHOUT WRITTEN PERMISSION			
	DIMENSION UNITS	SCALE		CURRENT REV DESC: RELEASE CUSTOMER DRAWING
$F_A = 0$	INCH/MM	NTS		<p>EC NO: 670504</p> <p>DRWN: DSOPPIN 2020/06/03</p> <p>CHK'D: DSOPPIN 2022/05/17</p> <p>APPR: HKNEELAND 2022/06/09</p> <p>INITIAL REVISION:</p> <p>DRWN: DSOPPIN 2020/06/03</p> <p>APPR: HKNEELAND 2022/06/09</p>
$F_C = 0$	GENERAL TOLERANCES (UNLESS SPECIFIED)			
$F_P = 0$	MM	INCH		
DIVISIONAL SYMBOLS	4 PLACES ±	±		
	3 PLACES ±	± 0.005		
	2 PLACES ±	± 0.13	± 0.01	
	1 PLACE ±	± 0.25	± 0.02	
	0 PLACES ±	±	±	
	ANGULAR TOL	± 0.5°		
	DRAFT WHERE APPLICABLE MUST REMAIN WITHIN DIMENSIONS	THIRD ANGLE PROJECTION	DRAWING C-SIZE	SERIES 130091
DOCUMENT STATUS	P1	RELEASE DATE	2022/06/09 16:37:24	<p>DOCUMENT NUMBER</p> <p>1300910087</p> <p>MATERIAL NUMBER</p> <p>SEE TABLE</p>
				<p>DOC TYPE</p> <p>PSD</p> <p>CUSTOMER</p> <p>GENERAL MARKET</p>
				<p>DOC PART</p> <p>000</p> <p>SHEET NUMBER</p> <p>1 OF 1</p>
				<p>REVISION</p> <p>A</p>

molex

CORD REEL W/1547 CONNECTOR
35' #12-3 CORD

PRODUCT CUSTOMER DRAWING