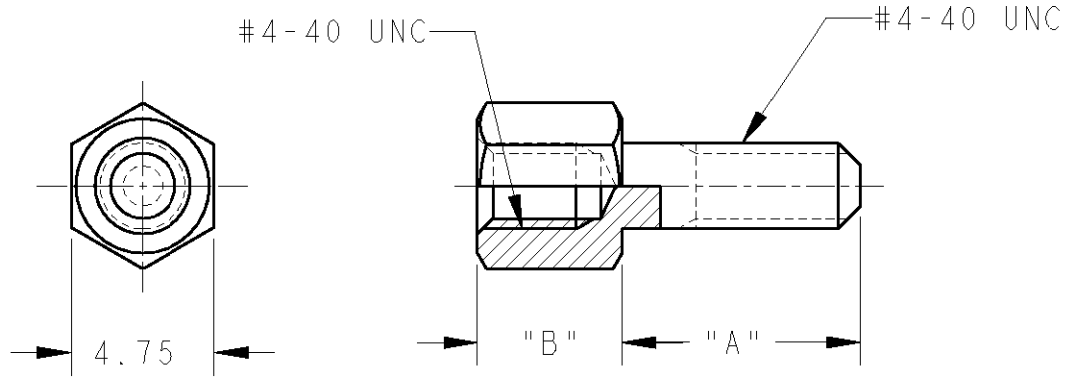


LOC	DIST	REVISIONS 変更					
		P	LTR	DESCRIPTION	DATE	DWN	APVD
J	-		B	REVISED FJ00-0588-01	03APR2001	C.O	K.I



- 1. 締付け最大トルク値; 8Kg-cm
- 2. 一般公差; 10mm以下 ±0.2
10mm以上 ±0.25
- 3. 材料; 炭素鋼
- 4. 仕上; ニッケルめっき

- 1. SCREW ON TORQUE MAX; 8Kg-cm
- 2. GENERAL TOLERANCE; 10mmMAX. ±0.2
10mmMIN. ±0.25
- 3. MATERIAL; CARBON STEEL
- 4. FINISH; NICKEL PL.

(B)	OBSOLETE	5.5	7.92	172617-6
		4.78	10.0	172617-5
		4.78	14.22	172617-2
		4.78	7.92	172617-1
		"B"	"A"	PARTS NUMBER

THIS DRAWING IS UNPUBLISHED. BY TYCO ELECTRONICS CORPORATION. ALL RIGHTS RESERVED. COPYRIGHT 20

DIMENSIONS: 単位: 概 mm	DWN C. OHASHI	03APR2001	MATERIAL 材料	3	FINISH 仕上	4
	CHK K. IKEGAMI	03APR2001	Tyco Electronics AMP K.K. Kawasaki, Japan			
TOLERANCES UNLESS OTHERWISE SPECIFIED: 2	APVD K. IKEGAMI	03APR2001				
0 PLC ±	PRODUCT SPEC 製品規格	-	NAME 名称 SCREWLOCK FEMALE FOR AMPLIMITE			
1 PLC ±0.1	APPLICATION SPEC 取付適用規格	-				
2 PLC ±0.01	WEIGHT	-	SIZE	CAGE CODE	DRAWING NO 番号	RESTRICTED TO
3 PLC ±0.001			A 4	00779	C=172617	-
4 PLC ±0.0001			CUSTOMER DRAWING			
ANGLES ±			SCALE	SHEET	OF	REV
			4:1	1	1	B