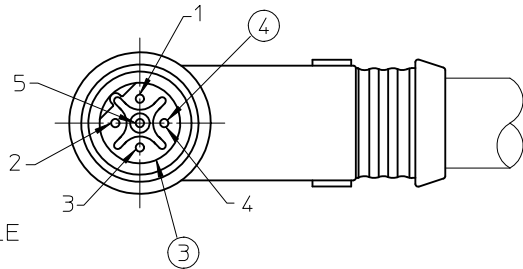
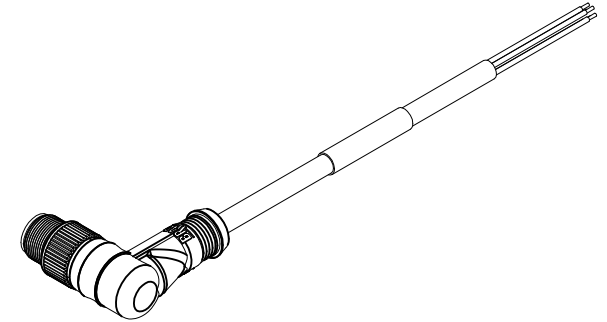
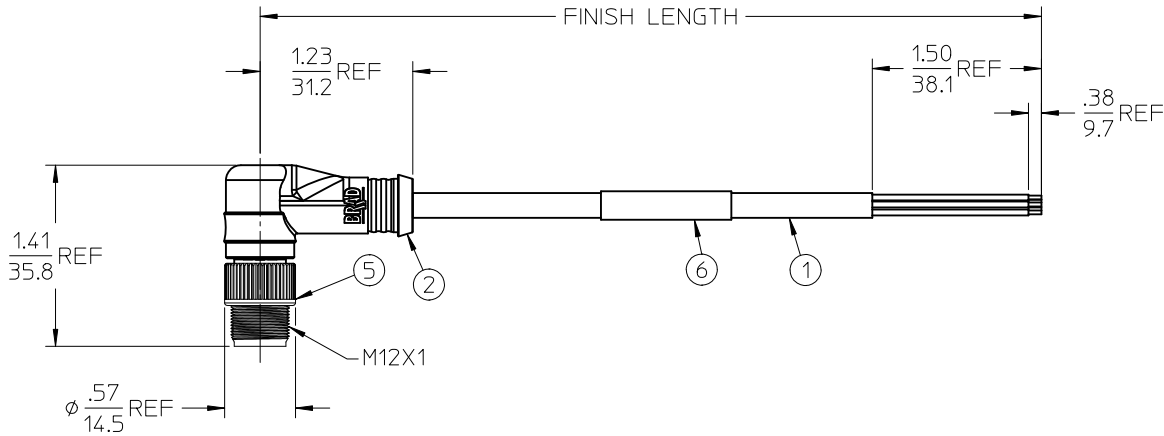


10	9	8	7	6	5	4	3	2	1
MATERIAL NUMBER	ENGINEERING NUMBER	FINISHED LENGTH							
1200390158	B05S07PP4M010	3.28' +1.75"-0 [1.0M +44.5-0]							



NOTES:

- 1) MATERIAL: SEE TABLE
- 2) FINISH:SEE TABLE
- 3) ELECTRICAL:  
VOLTAGE: 250 VAC/VDC  
CURRENT: 3 AMPS  
24AWG TWISTED PAIR
- 4) ENVIRONMENTAL:  
IP67  
OPERATING TEMP: -20°C TO 80°C
- 5) ASSEMBLY IS RoHS COMPLIANT BY EXCEPTION

WIRING CONNECTION

1	N/C
2	GREEN (A LINE)
3	N/C
4	RED (B LINE)
5	DRAIN LINE

6	LABEL	MYLAR	BLACK/YELLOW
5	COUPLER	BRASS	NICKEL PLATED
4	PIN CONTACT	COPPER ALLOY	GOLD OVER NICKEL
3	INSERT 5P	NYLON	BLACK
2	OVERMOLD	PUR	YELLOW
1	CABLE	PROFIBUS (PUR)	JACKET: PURPLE
ITEM	COMPONENT	MATERIAL	FINISH

CREATE DOC  
EC NO: WNA2010-0467  
DRAWN BY: DRWINBRUPERT 2010/01/29  
CHKD BY: WOODMAN 2010/01/29  
APPR: JF MURPHY 2010/01/29

QUALITY SYMBOLS  
▽=0  
▽=0

GENERAL TOLERANCES (UNLESS SPECIFIED)

	mm	INCH
4 PLACES	± .005	± .0004
3 PLACES	± .005	± .0004
2 PLACES	± .005	± .0004
1 PLACE	± .005	± .0004
ANGULAR ±1/2°		

DRAFT WHERE APPLICABLE MUST REMAIN WITHIN DIMENSIONS

DIMENSION STYLE IN/MM

DRAWN BY DATE  
BW 2009/07/27

CHECKED BY DATE  
VO 2009/07/28

APPROVED BY DATE  
JM 2009/07/28

MATERIAL NO.

SCALE 1:1

DESIGN UNITS INCH

THIRD ANGLE PROJECTION

TITLE  
MMC-5P-AC(E)-MM-90  
PROFIBUS

MOLEX INCORPORATED

DOCUMENT NO. SD-120039-004

SHEET NO. 1 OF 1

THIS DRAWING CONTAINS INFORMATION THAT IS PROPRIETARY TO MOLEX INCORPORATED AND SHOULD NOT BE USED WITHOUT WRITTEN PERMISSION