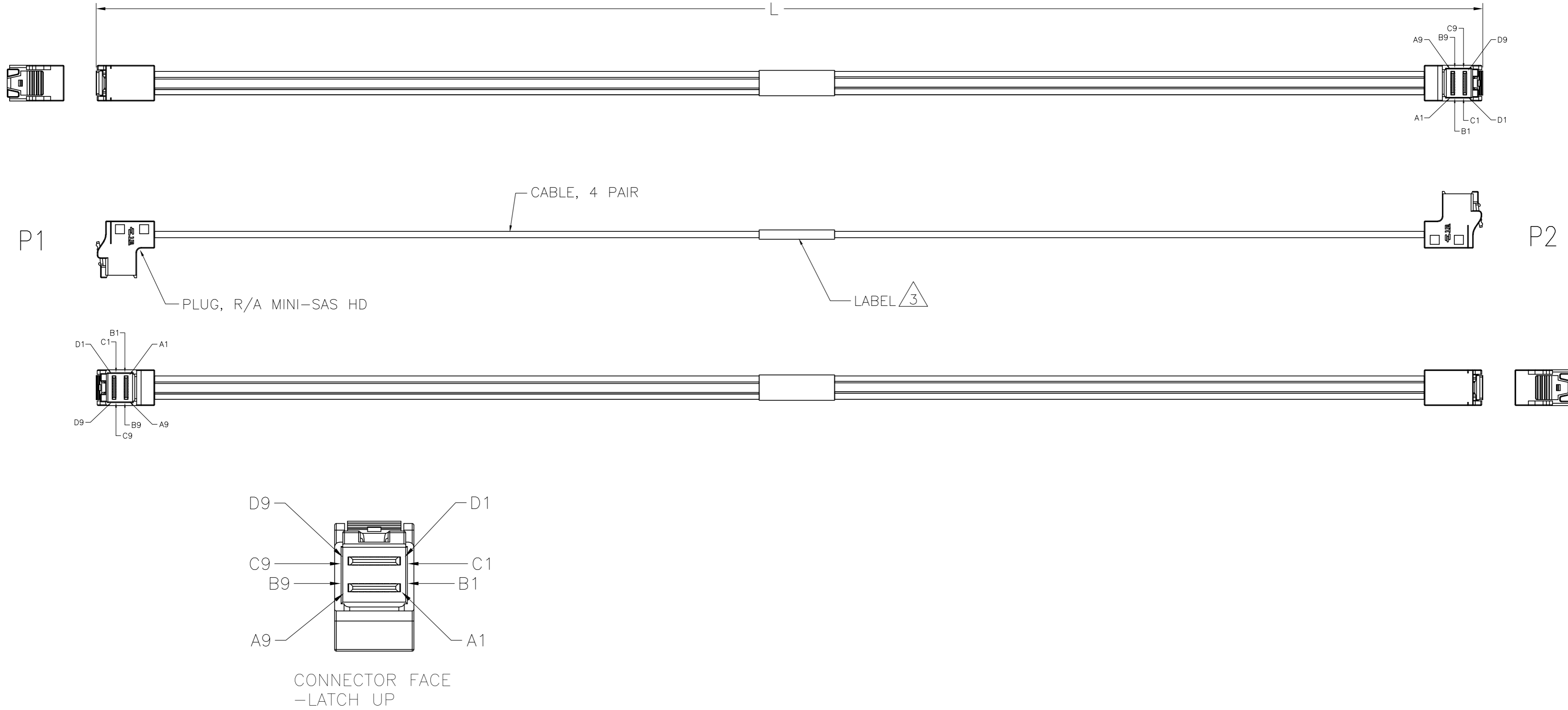


THIS DRAWING IS UNPUBLISHED. RELEASED FOR PUBLICATION  
 © COPYRIGHT - By - ALL RIGHTS RESERVED.

LOC	DIST	REVISIONS			
P	LTR	DESCRIPTION	DATE	DWN	APVD
GP	00	A	INITIAL RELEASE	07JUL2015	MY GG



- ASSEMBLY TO BE 100% TESTED FOR CONTINUITY, SHORTS, AND OPENS, CABLES ASSEMBLYS ARE ALSO TO BE 100% TESTED FOR SIGNAL INTEGRITY, TO SAS 3.0 REQUIREMENTS.
- ROHS AND REACH COMPLIANCE: PRODUCT AND PROCESSING MEETS REQUIREMENTS OF TE SPECIFICATION TEC-138-702.

△ LABEL CENTERED AND LABEL INFORMATION AS BELOW:

<b>STE</b> 2820326-[ ]	TE LOGO AND P/N
----- METERS	LENGTH
MADE IN -----	COUNTRY OF ORIGIN
YYWWSSSS	YYWW IS DATE CODE, SSSS IS SERIAL
	BAR FOR YYWWSSSS

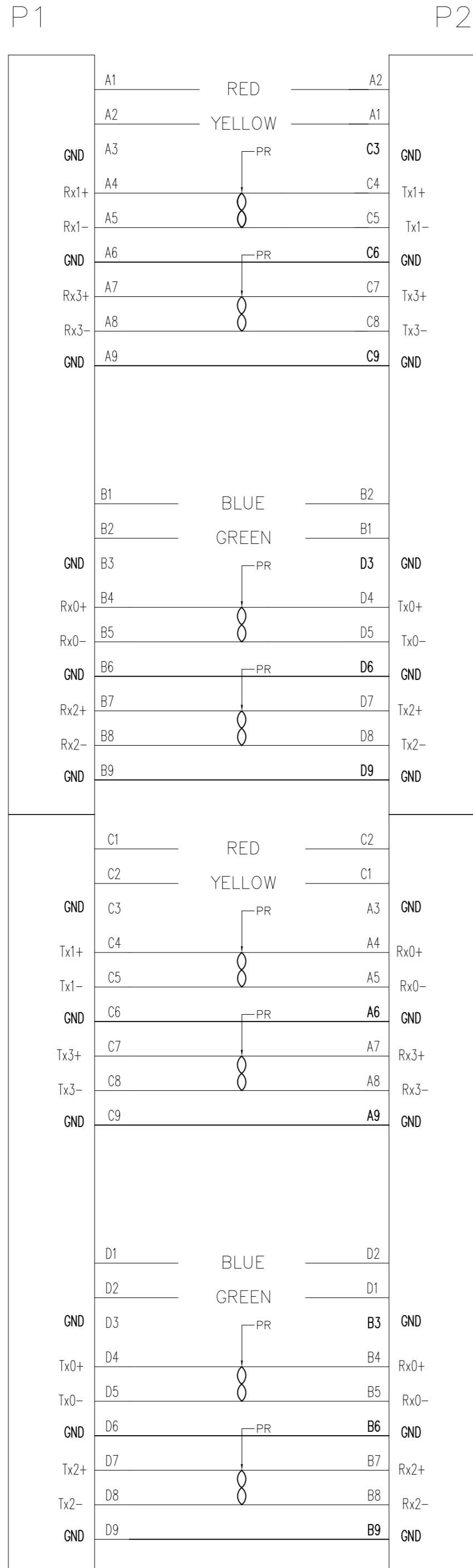
4. SEE SHEET #2 FOR WIRING SCHEMATIC.

1000 $\begin{smallmatrix} +25 \\ -0 \end{smallmatrix}$	2820326-4
700 $\begin{smallmatrix} +25 \\ -0 \end{smallmatrix}$	2820326-3
500 $\begin{smallmatrix} +25 \\ -0 \end{smallmatrix}$	2820326-2
300 $\begin{smallmatrix} +25 \\ -0 \end{smallmatrix}$	2820326-1
"L"[MM]	TE P/N

THIS DRAWING IS A CONTROLLED DOCUMENT.		DWN	16/JUN/2014	TE Connectivity
DIMENSIONS: mm		M.YI	16/JUN/2014	
TOLERANCES UNLESS OTHERWISE SPECIFIED:		CHK	G.GUTGOLD	
0 PLC ± -		APVD	G.GUTGOLD	
1 PLC ± -		PRODUCT SPEC		NAME
2 PLC ± -		APPLICATION SPEC		C/A, INTERNAL HD MINI SAS, R/A TO R/A
3 PLC ± -		WEIGHT		85 OHMS, 4X, NON HALOGEN
4 PLC ± -		CUSTOMER DRAWING		SIZE
ANGLES ± -				CAGE CODE
FINISH				DRAWING NO
				RESTRICTED TO
				A2 00779 C=2820326
				SCALE
				N.T.S.
				SHEET
				1 OF 2
				REV
				A

THIS DRAWING IS UNPUBLISHED. RELEASED FOR PUBLICATION  
 © COPYRIGHT - By - ALL RIGHTS RESERVED.

LOC		DIST		REVISIONS			
P	LTR	DESCRIPTION	DATE	DWN	APVD		
GP	00	-	SEE SHEET 1	-	-	-	-



# WIRING PATTERN

THIS DRAWING IS A CONTROLLED DOCUMENT.		DWN	M.YI	16/JUN/2014	 TE Connectivity	NAME		C/A, INTERNAL HD MINI SAS, R/A TO R/A	
DIMENSIONS:		CHK	G.GUTGOLD	16/JUN/2014		PRODUCT SPEC		85 OHMS, 4X, NON HALOGEN	
mm		APVD	G.GUTGOLD	16/JUN/2014		APPLICATION SPEC		SIZE	A2
		TOLERANCES UNLESS OTHERWISE SPECIFIED:		WEIGHT		CAGE CODE	00779	DRAWING NO	C=2820326
MATERIAL		FINISH		CUSTOMER DRAWING		SCALE	N.T.S.	SHEET	2 OF 2
						RESTRICTED TO		REV	
								A	

2820326