

170258-1 ✓ ACTIVE

FASTIN-FASTON | FASTIN-FASTON 250

TE Internal #: 170258-1

Quick Disconnects, Receptacle, 14 – 12 AWG Wire Size, 2.1 – 3.31 mm² Wire Size, Mating Tab Width 6.35 mm [.25 in], Straight, Brass, FASTIN-FASTON 250

[View on TE.com >](#)



Terminals & Splices > Quick Disconnects



Quick Disconnect Terminal Type: **Receptacle**

Wire Size: **2.1 – 3.31 mm²**

Mating Tab Width: **6.35 mm [.25 in]**

Terminal Orientation: **Straight**

Features

Configuration Features

Connection Capacity	Single
Compatible With Wire & Cable Type	Discrete Wire

Contact Features

Quick Disconnect Terminal Type	Receptacle
Mating Tab Width	6.35 mm [.25 in]
Terminal Orientation	Straight
Contact Base Material	Brass
Terminal Plating Material	Unplated
Crimp Type	F-Crimp
Barrel Type	Open

Termination Features

Product Terminates To	Wire & Cable
-----------------------	--------------

Mechanical Attachment

Wire Insulation Support	With
-------------------------	------



Mating Retention Type

Locking Lance

Dimensions

Terminal Material Thickness

.33 mm[.013 in]

Product Length

21.5 mm[.846 in]

Compatible Insulation Diameter Range

2.9 – 3.8 mm[.114 – .15 in]

Wire Size

2.1 – 3.31 mm²

Usage Conditions

Insulation Option

Uninsulated

Operating Temperature Range

-40 – 110 °C[-40 – 230 °F]

Packaging Features

Packaging Quantity

5000

Packaging Method

Strip/Reel

Product Compliance

For compliance documentation, visit the product page on [TE.com](https://www.te.com)>

EU RoHS Directive 2011/65/EU

Compliant

EU ELV Directive 2000/53/EC

Compliant

China RoHS 2 Directive MIIT Order No 32, 2016

No Restricted Materials Above Threshold

EU REACH Regulation (EC) No. 1907/2006

Current ECHA Candidate List: JUNE 2023 (235)
 Candidate List Declared Against: JAN 2023 (233)
 Does not contain REACH SVHC

Halogen Content

Low Halogen - Br, Cl, F, I < 900 ppm per homogenous material. Also BFR/CFR/PVC Free

Solder Process Capability

Not applicable for solder process capability

Product Compliance Disclaimer

This information is provided based on reasonable inquiry of our suppliers and represents our current actual knowledge based on the information they provided. This information is subject to change. The part numbers that TE has identified as EU RoHS compliant have a maximum concentration of 0.1% by weight in homogenous materials for lead, hexavalent chromium, mercury, PBB, PBDE, DBP, BBP, DEHP, DIBP, and 0.01% for cadmium, or qualify for an exemption to these limits as defined in the Annexes of Directive 2011/65/EU (RoHS2). Finished electrical and electronic equipment products will be CE marked as required by Directive 2011/65/EU. Components may not be CE marked. Additionally, the part numbers that TE has identified as EU ELV compliant have a maximum concentration of 0.1% by weight in homogenous materials for lead, hexavalent chromium, and mercury, and 0.01% for cadmium, or qualify for an exemption to these limits as defined in the Annexes of Directive 2000/53/EC (ELV). Regarding the REACH Regulation, the information TE provides on SVHC in articles for this part number is based on the latest European Chemicals Agency (ECHA) 'Guidance on requirements for substances in articles' posted at this URL: <https://echa.europa.eu/guidance-documents/guidance-on-reach>

Compatible Parts



TE Part # 151325-1
FF 250 REC HSG 11P NYLON NAT



TE Part # 480003-5
FF 250 REC HSG 6P NYLON NAT



TE Part # 180904
FF 250 REC HSG 6P NYLON NAT



TE Part # 171897-1
FF 250 REC HSG 6P NYLON NAT



TE Part # 172137-1
FF 250 REC HSG 10P NYLON NAT



TE Part # 480115-3
FF 250 REC HSG 2P NYLON BLACK



TE Part # 172138-1
FF 250 PLUG HSG 10P NYLON NAT



TE Part # 163007
FF 250 REC HSG 8P NYLON CLEAR



TE Part # 178022-1
FF 250 PLUG HSG DBL LOCK NAT



TE Part # 172136-1
FF 250 PLUG HSG 8P NYLON NAT



TE Part # 1-480281-0
FF 250 REC HSG 6P NYLON BLACK



TE Part # 180900
FF 250 REC HSG 4P NYLON NAT



TE Part # 172133-1
FF 250 REC HSG 4P NYLON NAT



TE Part # 171898-1
FF 250 PLUG HSG 6P NYLON NAT



TE Part # 880297-1
6 WAY FF 250 HOUSING REC PA 6.6
NATURAL



TE Part # 172135-1
FF 250 REC HSG 8P NYLON NAT



TE Part # 172129-1
FF 250 PLUG HSG 2P NYLON NAT



TE Part # 172134-1
FF 250 PLUG HSG 4P NYLON NAT



TE Part # 172130-1
FF 250 REC HSG 2P NYLON NAT



TE Part # 480054-4
FF 250 REC HSG 1P NYLON BLACK

Also in the Series | **FASTIN-FASTON 250**



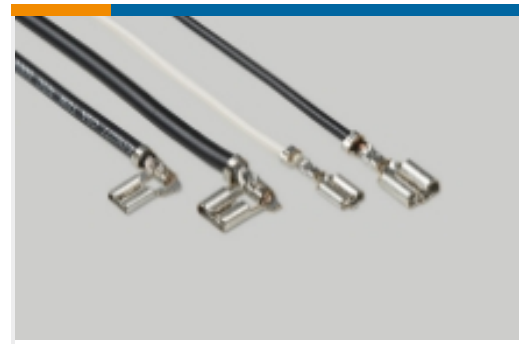
Crimp Terminal Housings(211)



Insertion & Extraction Tools(2)

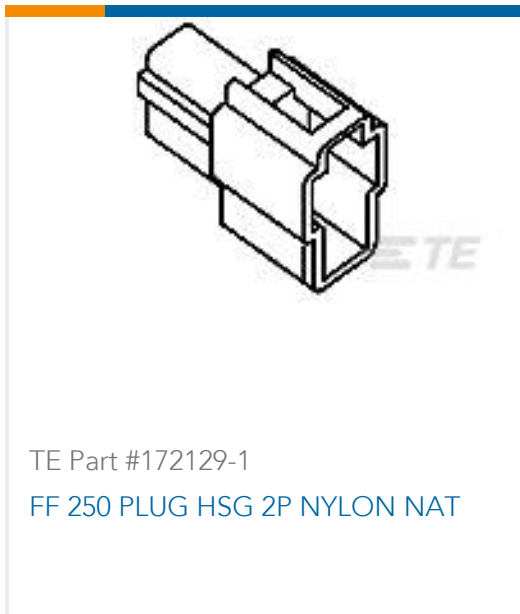


PCB Terminals(2)

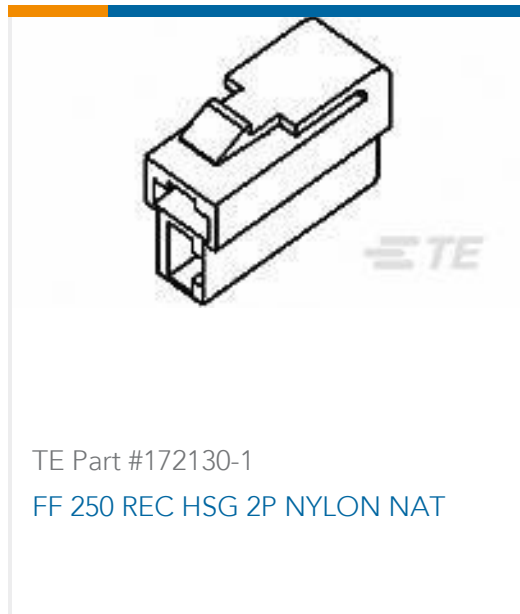


Quick Disconnects(254)

Customers Also Bought



TE Part #172129-1
FF 250 PLUG HSG 2P NYLON NAT



TE Part #172130-1
FF 250 REC HSG 2P NYLON NAT



TE Part #170340-1
FF 250 TAB 20-14AWG BR WITHOUT LATCH



TE Part #170454-2
PL 250 AM REC 18-14 0.40 X 21 PRE-TPBR



TE Part #1746864-2
TH/.025 CONNECTOR SYSTEM, HOUSING



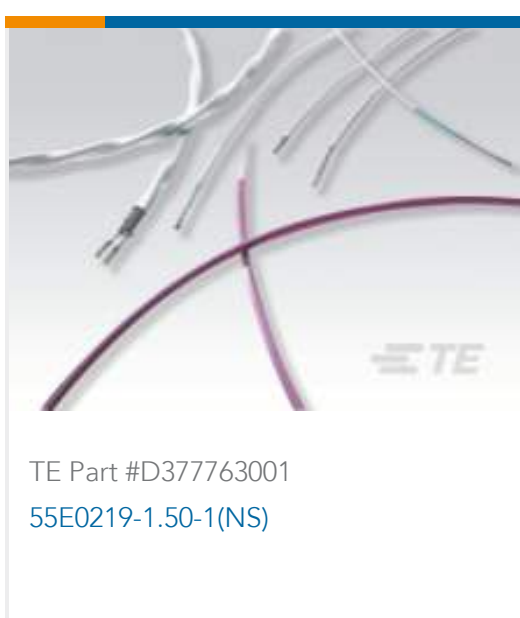
TE Part #1565963-2
040III TAB NON SEALED AU



TE Part #1-172132-1
FF 250 PLUG HSG 3P NYLON NAT



TE Part #172434-2
POSITIVE LOCK 250 (6.3 MM) HOUSING



TE Part #D377763001
55E0219-1.50-1(NS)

Documents

Product Drawings

[FF 250 REC 14-12AWG BR REREELING](#)

English

CAD Files

[3D PDF](#)

[3D](#)

[Customer View Model](#)

[ENG_CVM_CVM_170258-1_S.2d_dxf.zip](#)



English

Customer View Model

[ENG_CVM_CVM_170258-1_S.3d_igs.zip](#)

English

Customer View Model

[ENG_CVM_CVM_170258-1_S.3d_stp.zip](#)

English

By downloading the CAD file I accept and agree to the [Terms and Conditions](#) of use.

Product Specifications

Crimping of Positive Lock Receptacle Contact

English

Application Specification

English

Crimping of 250 Series Tab and Receptacle Contacts

Japanese

Application Specification

Japanese

Application Specification

Japanese

Crimping of 250 Series Tab and Receptacle Contacts

Japanese

Product Environmental Compliance

Product Compliance

English

Product Compliance

English

Instruction Sheets

Customer Manual (non U.S.)

Japanese

"250" Series, Housing Lance Connector

Japanese