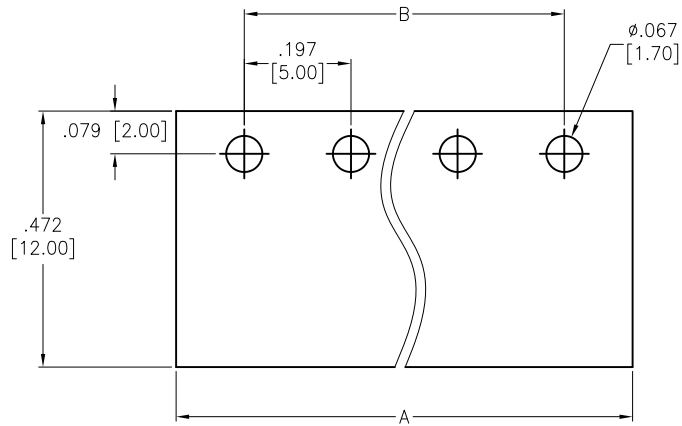
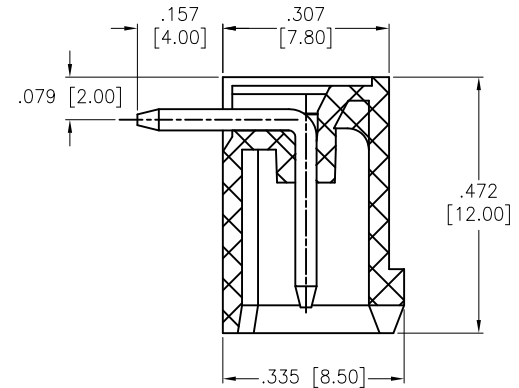
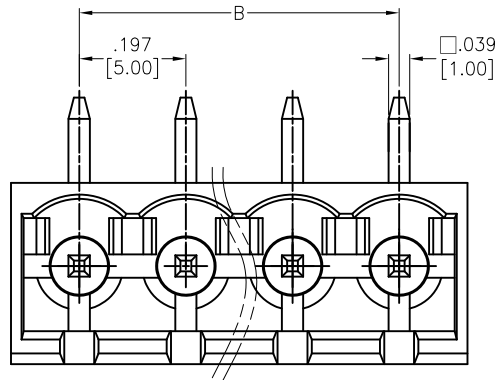
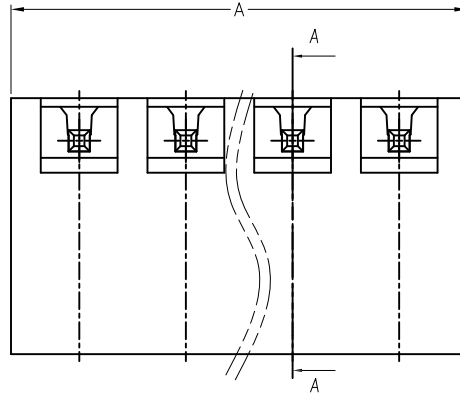


APPROVED: \_\_\_\_\_  
 DATE: \_\_\_\_\_ TITLE: \_\_\_\_\_

Rev	AWO #	Description	Date	Appr
-		RELEASED	4/8/15	
A		UPDATE SPEC.	1/14/21	LH/LX



RECOMMENDED PCB LAYOUT



SECTION A-A

Positions: 02 thru 24

A = .197 [5.00] x No. of Positions + .055 [1.40]

B = .197 [5.00] x No. of Spaces

**SPECIFICATIONS:**

Material:

Insulator: PA66, rated UL 94V-0

Insulator color: Green

Contacts: Copper Alloy, Tin plated

Electrical:

Voltage rated: 300 V

Current rated: 15 A

Dielectric withstanding voltage: 1,600 VAC for 1 minute

Temperature Rating:

Operating temperature: -40°C to +105°C

Environmental:

Lead free, RoHS compliant.



UNLESS OTHERWISE SPECIFIED  
 ALL DIMENSIONS ARE MM [INCHES]  
 TOLERANCES: EXCEPT AS NOTED

INCHES		HOLES	
.X	± .10	Ø.X	± .10
.XX	± .020	Ø.XX	± .015
.XXX	± .015	Ø.XXX	± .010



909 Rahway Avenue,  
 Union, NJ 07083  
 Phone: 908-687-5000  
 Fax: 908-687-5710

APPROVALS		DATE
DRAWN	HR	4/8/15
CHECKED	NC	4/8/15
APPROVED		

TITLE  
 .197 [5.00] PITCH, EURO BLOCK HEADER  
 RIGHT ANGLE, CLOSE SIDE

SIZE	PART NO.	REV.
X	EBQA-XX-C-C	A
REF: S00067C	SCALE: NTS	SHEET 1 OF 1