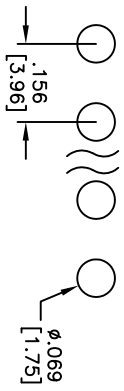
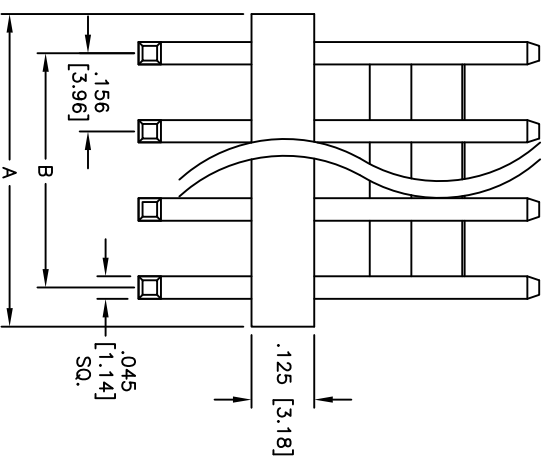
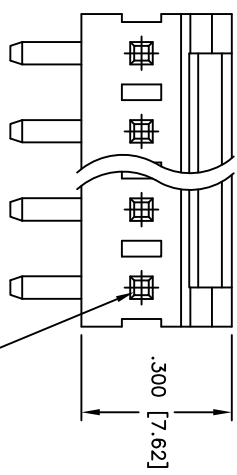
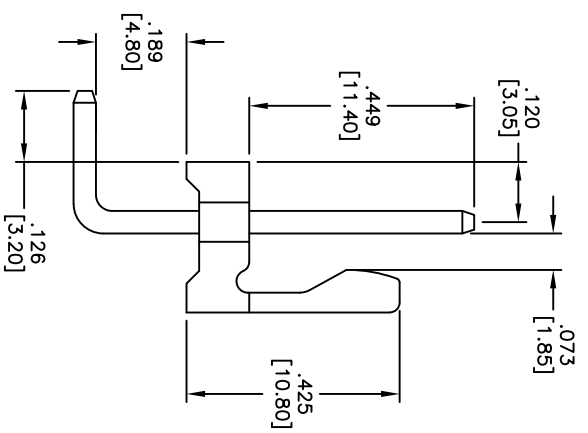


APPROVED: _____
 DATE: _____ TITLE: _____



RECOMMENDED PCB LAYOUT



Positions: 2 thru 20
 A = .156 [3.96] x No. of Positions
 B = .156 [3.96] x No. of Spaces

SPECIFICATIONS:
 Material: PA66, glass reinforced, rated UL 94V-2
 Insulator color: White
 Insulator contact: Brass, Tin or Ni plated
 Electrical:
 Current rating: 7 Amps max
 Contact resistance: 20mohms max
 Insulation resistance: 1,000 Mohms min
 Dielectric withstanding voltage: 1,000 VAC for 1 minute
 Temperature Rating:
 Operating temperature: -40°C to +85°C
 Environmental:
 Lead free, RoHS compliant

Rev	AWO #	Description	Date	Appr
-		RELEASED	6/18/10	
A		ECN	12/8/10	
B		REVISED DIM.	2/17/14	AY/MY

UNLESS OTHERWISE SPECIFIED ALL DIMENSIONS ARE INCHES [MM]	
TOLERANCES: EXCEPT AS NOTED	
INCHES	HOLDS
.X ± .10	± .10
.XX ± .020	± .015
.XXX ± .015	± .010
.XXX ± .015	± .010
APPROVALS	DATE
DRAWN	DY
CHECKED	
APPROVED	

ADAM TECH
 909 Railway Avenue, Union, NJ 07083
 Phone: 908-687-5000 Fax: 908-687-5710

SIZE	PART NO.	REV.
X	LHD-XX-TRA	B
REF: S0009C	SCALE: NTS	SHEET 1 OF 1

