

NOTES:

1. MATERIALS AND FINISHES:  
 BODY & CONTACT - BeCu, GOLD PLATING  
 INSULATORS - PTFE, NATURAL
2. ELECTRICAL:  
 A. IMPEDANCE: 50 OHM  
 B. FREQUENCY RANGE: DC - 40 GHz  
 C. VSWR (RETURN LOSS) : 1.07 MAX. (-30 dB MIN) @ DC - 4 GHz  
                                   1.22 MAX. (-20 dB MIN) @ 4 - 18 GHz  
                                   1.43 MAX. (-15 dB MIN) @ 18 - 26.5 GHz  
                                   1.50 MAX. (-14 dB MIN) @ 26.5 - 40 GHz  
 D. DIELECTRIC WITHSTANDING VOLTAGE: 500 VRMS, MIN.

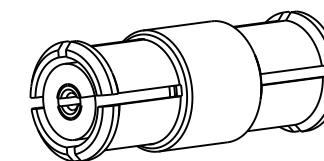
3. MECHANICAL:  
 A. DURABILITY: 100 CYCLES MIN. WHEN MATED FULL DETENT JACK  
                           500 CYCLES MIN. WHEN MATED LIMITED DETENT JACK  
                           1000 CYCLES MIN. WHEN MATED A SMOOTH BORE JACK  
 B. TEMPERATURE RANGE: -65°C TO +165°C

4. PACKAGING:  
 A. QUANTITY: SINGLE PACK  
 B. MARKING: BAG TO BE MARKED  
           "AMPHENOL RF, SMP-FS2A-860 AND DATE CODE  
           ROHS DIRECTIVE 2011/65/EU COMPLIANT"

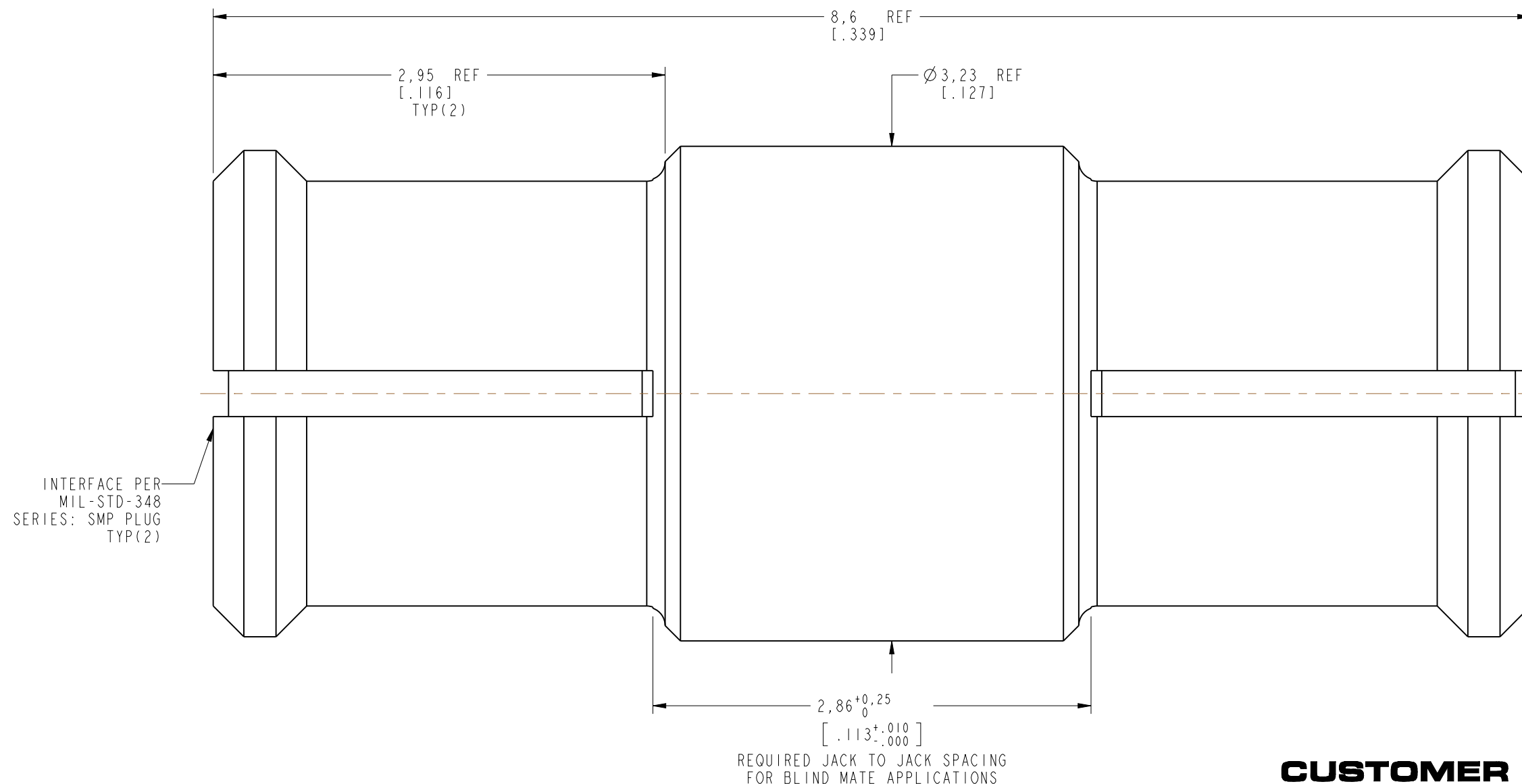
THIRD ANGLE PROJ.

REVISIONS

REV	DESCRIPTION	DATE	ECN	APPR
A	RELEASE TO MFG.	05-Nov-19	13182	EH



SCALE 5.000



**CUSTOMER OUTLINE DRAWING**

ALL OTHER SHEETS ARE FOR INTERNAL USE ONLY

UNLESS OTHERWISE SPECIFIED, DIMENSIONS ARE IN METRIC AND TOLERANCES ARE: <0.5mm ±0.05mm    0.5 - 6mm ±0.1mm    6 - 30mm ±0.2mm    30 - 120mm ±0.3mm    ANGLES ±1°	MATERIAL	DRAWN	DATE	TITLE SMP STR BULLET ASSEMBLY, 8.60 MM		Amphenol RF www.amphenolrf.com		
	SEE NOTES	M. ZHANG	21-Nov-18					
NOTICE - These drawings, specifications, or other data (1) are, and remain the property of Amphenol corp. (2) must be returned upon request; and (3) are confidential and not to be disclosed to any person other than those to whom they are given by Amphenol Corp. the furnishing of these drawings, specifications, or other data by Amphenol Corp., or to any other person to anyone for any purpose is not to be regarded by implication or otherwise in any manner licensing, granting rights to permitting such holder or any other person to manufacture, use or sell any product, process or design, patented or otherwise, that may in any way be related to or disclosed by said drawings, specifications, or other data.	REFERENCE	ENGINEER	DATE	SCALE: 30.0:1.0 SHEET 2 OF 2		DRAWING NO. SMP-FS2A-860		
	EAR# 8528	KRISHNA S	21-Nov-18			ITEM NO. SMP-FS2A-860		
	REF: SMP-FSBA-897	APPROVED	S. HSIEH	DATE	DWG SIZE B      REV A		PART NO. SMP-FS2A-860	
	CONFIGURATION LEVEL: In Work	FINISH	CAD FILE	06-Nov-19				