

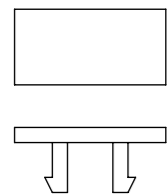
TABLE 1

MOLEX P/N	ENG. NO.	CABLE LENGTH (mm)	LED
1202470020	BEB403P-FBW-05	5000	YES
1202470021	BEB403P-FBW-10	10000	YES
1202470022	BEB403P-FBW-15	15000	YES
1202470023	BEB403P-FBW-20	20000	YES
1202470043	BEB4030-FBW-05	5000	NO
1202470044	BEB4030-FBW-10	10000	NO
1202470045	BEB4030-FBW-15	15000	NO

TABLE 2

ITEM	COMPONENT	MATERIAL	FINISH
1	INSERT	TPU	BLACK
2	CONTACT SOCKET	COPPER ALLOY	GOLD OVER NICKEL
3	O-RING	VITON	RED
4	RECEPTACLE SHELL	BRASS	NICKEL PLATED
5	HOUSING	PBT	BLACK
6	CABLE	TPU	BLACK
7	LABEL	ABS	WHITE
8	LABEL ADHESIVE	PE	WHITE
9	CABLE PLATE	PBT	BLACK
10	LED	NO LED = PA WITH LED = PA	BLACK TRANSPARENT
11	RESIN	EPOXY	TRANSPARENT

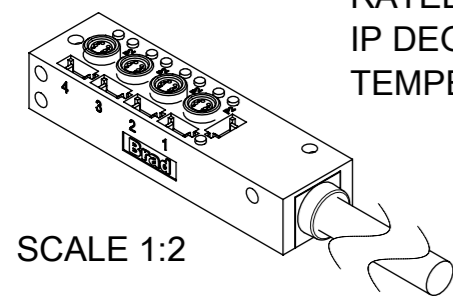
SCALE 2:1



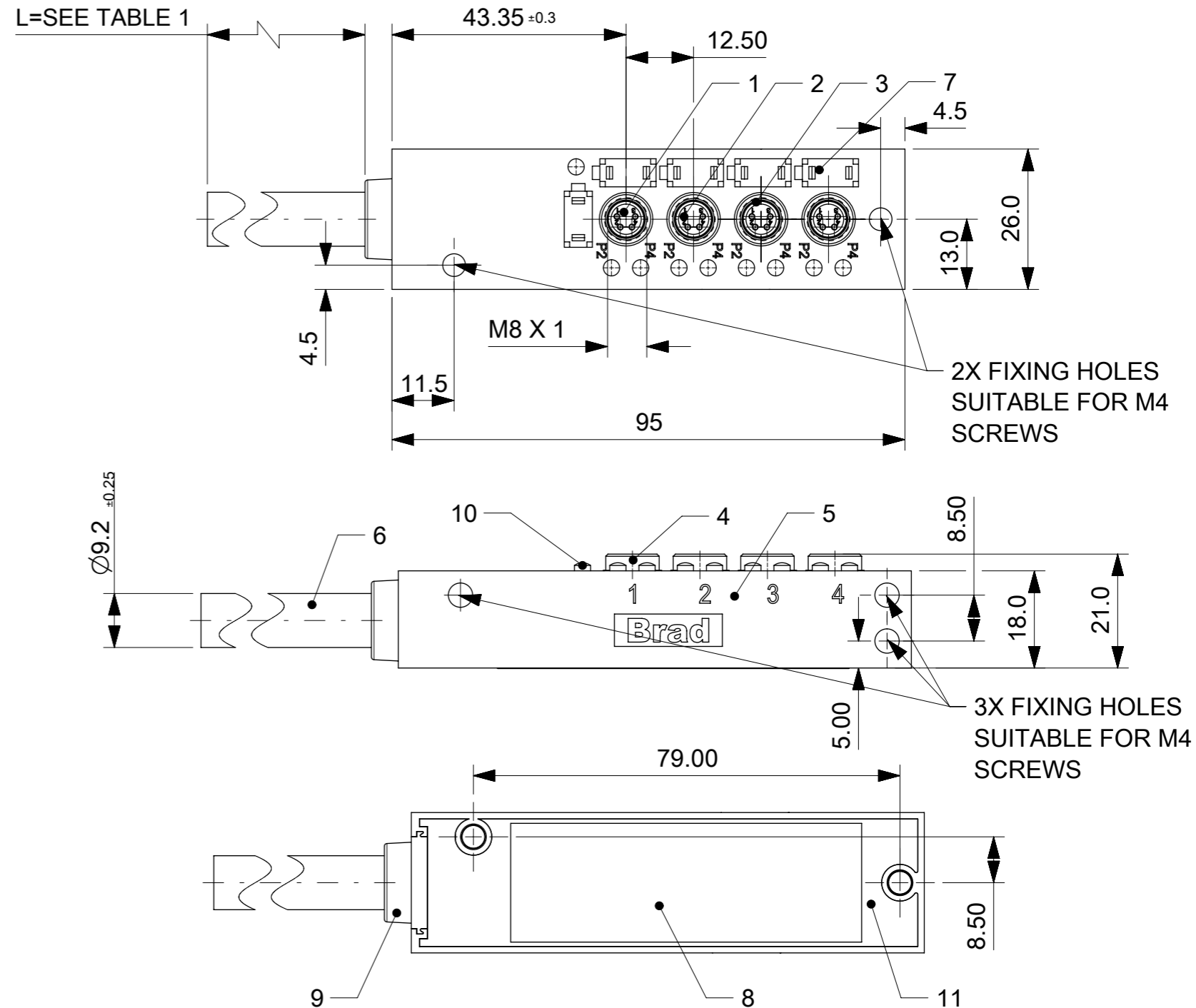
LABEL
5x packed in a bag.

GENERAL CHARACTERISTICS:

NOMINAL VOLTAGE: 24 V DC
 RATED CURRENT: 2 A PER PORT / 6 A MAX: TOTAL
 IP DEGREE OF PROTECTION: IP 68
 TEMPERATURE RANGE: -25°C to + 85°C



SCALE 1:2

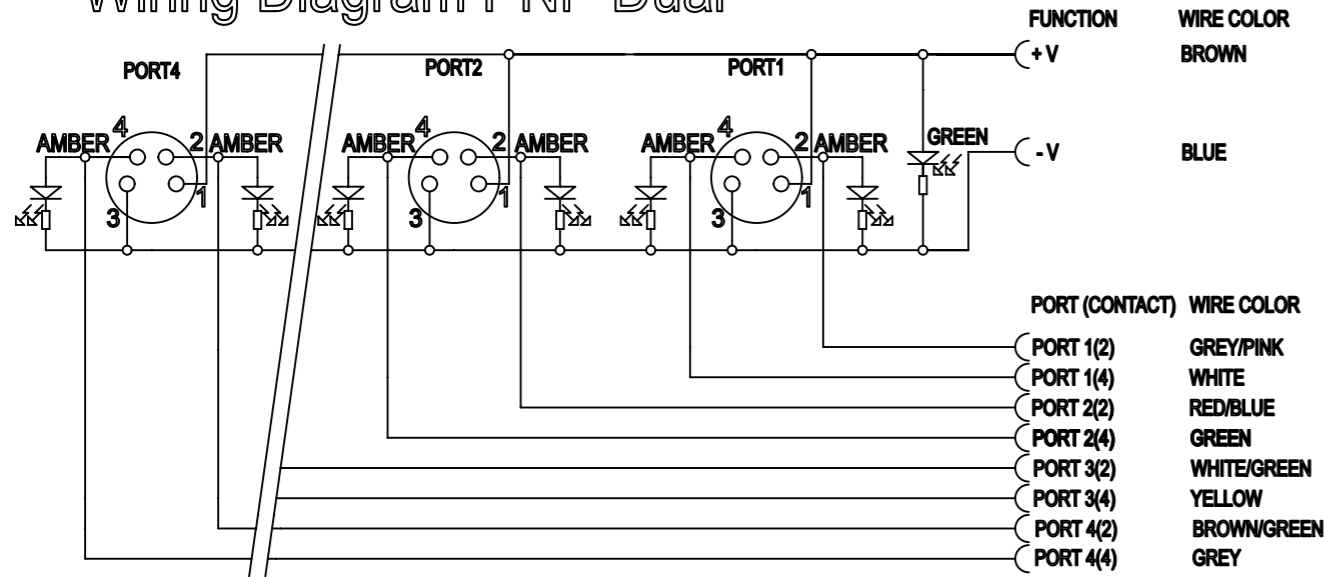


CABLE LENGTH TOLERANCES

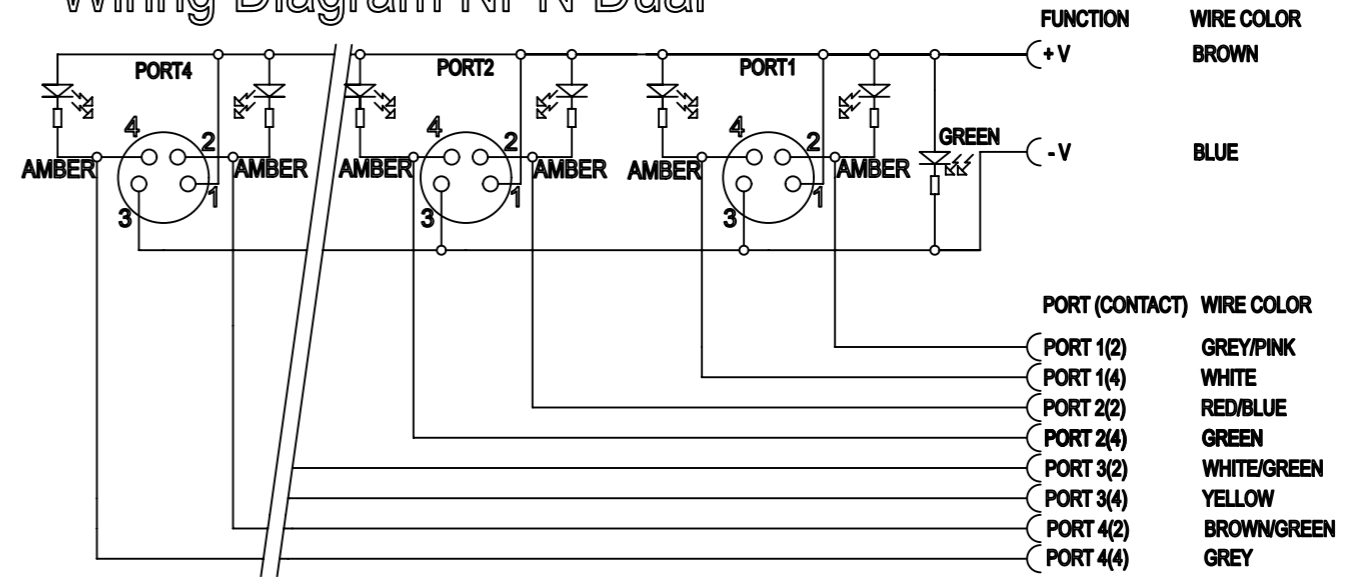
LENGTH	TOLERANCE
0m-1m	+40 mm
>1m-5m	+60 mm
>5m-10m	+80 mm
>10m-20m	+140 mm
>20m-30m	+160 mm
>30m	+1% length

FUNCTIONAL SYMBOLS	THIS DRAWING CONTAINS INFORMATION THAT IS PROPRIETARY TO MOLEX ELECTRONIC TECHNOLOGIES, LLC AND SHOULD NOT BE USED WITHOUT WRITTEN PERMISSION	
△/A = 0	DIMENSION UNITS: mm	SCALE: 1:1
△/E = 0	GENERAL TOLERANCES (UNLESS SPECIFIED)	
△/P = 0	ANGULAR TOL ± °	
DIVISIONAL SYMBOLS	4 PLACES ±	
	3 PLACES ±	
	2 PLACES ± 0.2	
	1 PLACE ± 0.3	
	0 PLACES ± 0.5	
DRAFT WHERE APPLICABLE MUST REMAIN WITHIN DIMENSIONS	THIRD ANGLE PROJECTION	DRAWING: A3-SIZE
	SERIES: 120247	DOCUMENT NUMBER: 1202470020
	MATERIAL NUMBER: SEE TABLE 1	CUSTOMER: GENERAL MARKET
	EC NO: 699789	DRWN: MDHARMANTI
	CHK'D: RSILLER	APPR: RSILLER
	INITIAL REVISION:	DATE: 2022/03/17
	DRWN: ULETTENMEIER	DATE: 2015/01/20
	APPR: RSILLER	DATE: 2015/04/22
	DOC TYPE: PSD	DOC PART: 000
	REVISION: B1	SHEET NUMBER: 1 OF 2

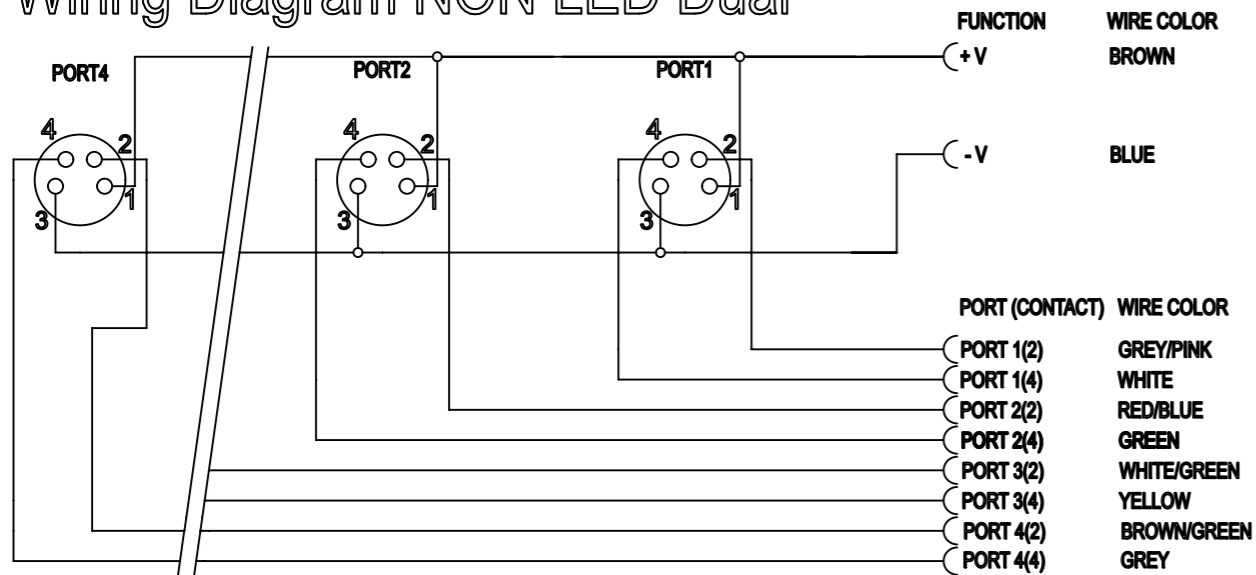
Wiring Diagram PNP Dual



Wiring Diagram NPN Dual



Wiring Diagram NON LED Dual



FUNCTIONAL SYMBOLS	THIS DRAWING CONTAINS INFORMATION THAT IS PROPRIETARY TO MOLEX ELECTRONIC TECHNOLOGIES, LLC AND SHOULD NOT BE USED WITHOUT WRITTEN PERMISSION					
	$\nabla_A = 0$ $\nabla_E = 0$ $\nabla_P = 0$	DIMENSION UNITS mm				SCALE 1:1
DIVISIONAL SYMBOLS	GENERAL TOLERANCES (UNLESS SPECIFIED)		EC NO: 699789 DRWN: MDHARMANTI 2022/03/11 CHK'D: RSILLER 2022/03/17 APPR: RSILLER 2022/03/17			
	ANGULAR TOL ± °		PRODUCT CUSTOMER DRAWING			
	4 PLACES ±		DOCUMENT NUMBER 1202470020			
	3 PLACES ±		DOC TYPE DOC PART REVISION PSD 000 B1			
	2 PLACES ± 0.2		MATERIAL NUMBER SEE TABLE 1			
1 PLACE ± 0.3		CUSTOMER GENERAL MARKET				
0 PLACES ± 0.5		SHEET NUMBER 2 OF 2				
DRAFT WHERE APPLICABLE MUST REMAIN WITHIN DIMENSIONS		THIRD ANGLE PROJECTION	DRAWING	SERIES	MATERIAL NUMBER SEE TABLE 1	
			A3-SIZE	120247	CUSTOMER GENERAL MARKET	