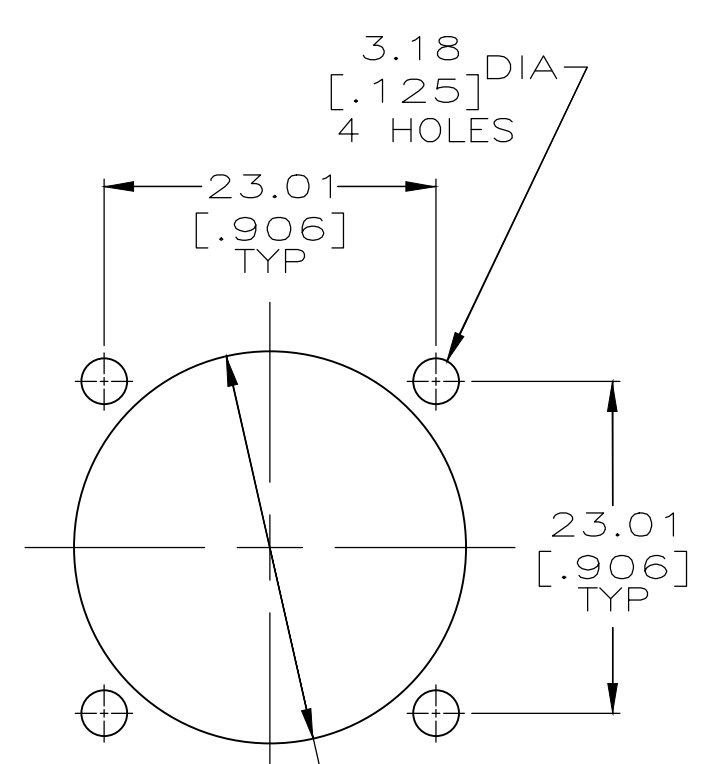
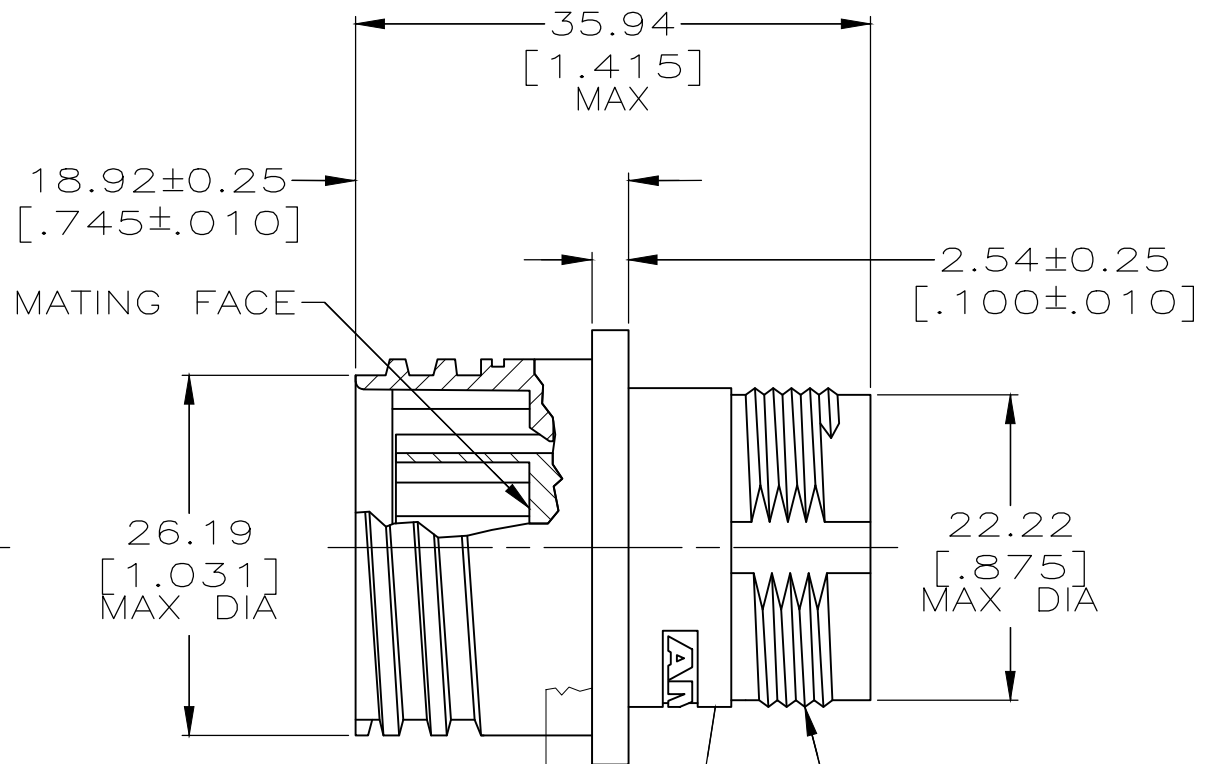
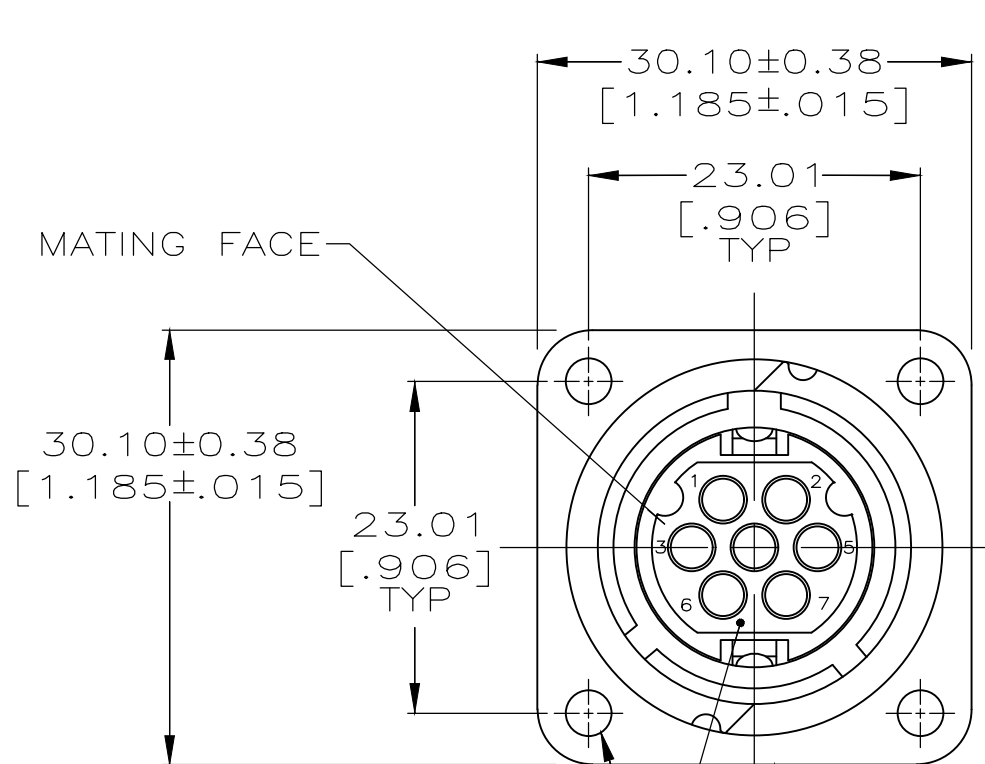


THIS DRAWING IS UNPUBLISHED. RELEASED FOR PUBLICATION  
 © COPYRIGHT - TE Connectivity Ltd. ALL RIGHTS RESERVED.

REVISIONS					
P	LTR	DESCRIPTION	DATE	DWN	APVD
	F	REVISED PER ECO-18-007013	21MAY2018	KH	MZ



PIN HOUSING MATERIAL: THERMOPLASTIC  
 COLOR: BLACK

PART NUMBER AND DATE CODE MARKED ON ANY ANY FLANGE EDGE.

SHELL, RECEPTACLE MATERIAL: ZINC PER QQ-Z-363  
 FINISH: NICKEL PER QQ-N-290 OVER COPPER PER MIL-C-14550

1. THIS CONNECTOR ACCEPTS SEVEN (7) SIZE 16 MULTIMATE PIN CONTACTS. MAXIMUM WIRE INSULATION DIA = 2.67 [.105].
2. THIS CONNECTOR MATES WITH AMP P/N 208714-1.

208715-1  
 PART NO

THIS DRAWING IS A CONTROLLED DOCUMENT.		DWN K.FOLTZ 08/24/94	TE Connectivity Ltd.				
DIMENSIONS: mm [INCHES]		CHK R.STONE 08/25/94					
TOLERANCES UNLESS OTHERWISE SPECIFIED:		APVD A.FRANTUM	NAME				
0 PLC ± - 1 PLC ± - 2 PLC ± 0.13 [.005] 3 PLC ± - 4 PLC ± - ANGLES ± -		PRODUCT SPEC	RECEPTACLE ASSY, SERIES 1, CLASS A, ARRANGEMENT 14-7, STANDARD SEX, CMC				
MATERIAL SEE CALLOUTS		FINISH SEE CALLOUTS	APPLICATION SPEC	SIZE	CAGE CODE	DRAWING NO	RESTRICTED TO
						A300779 C-208715	
CUSTOMER DRAWING			WEIGHT 0	SCALE 2:1	SHEET 1 OF 1	REV F	