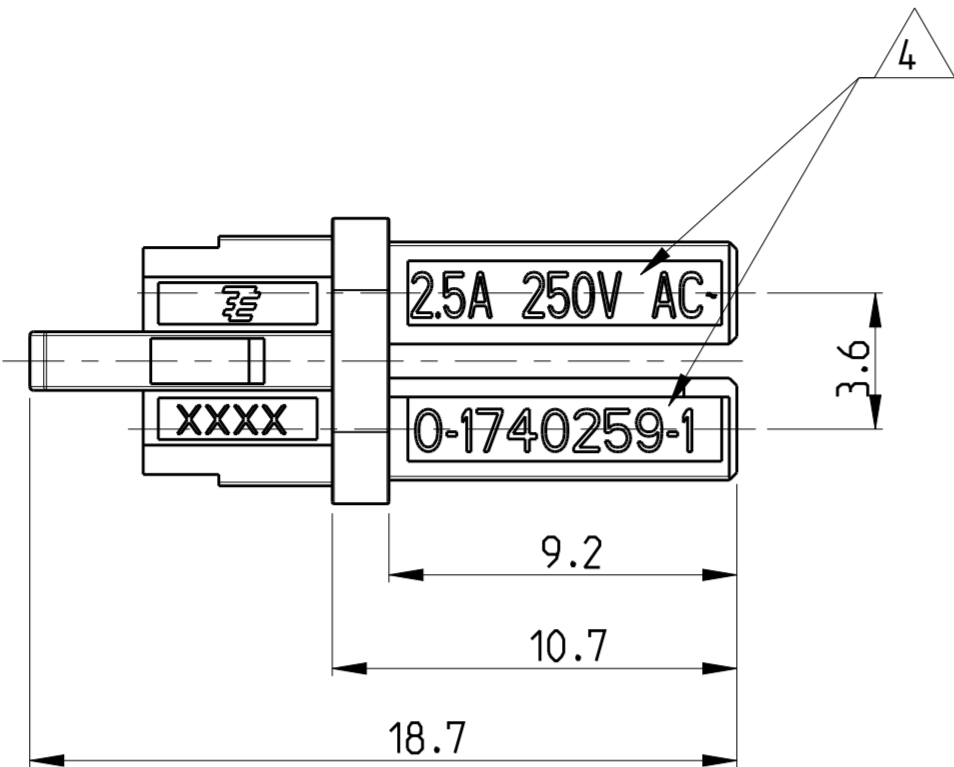
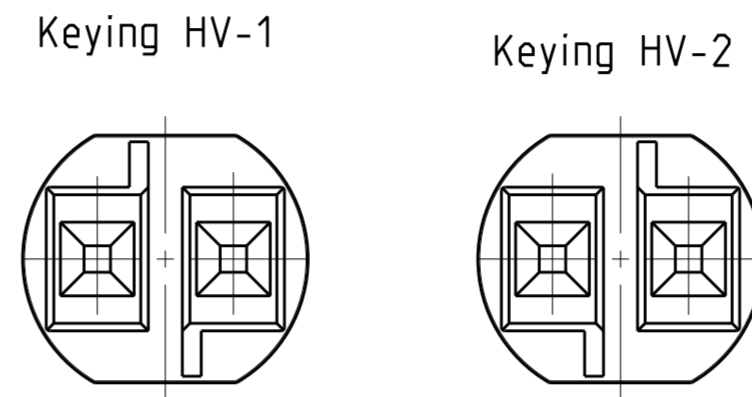


THIS DRAWING IS UNPUBLISHED. RELEASED FOR PUBLICATION 2005
 © COPYRIGHT 2005 Tyco Electronics AMP GmbH ALL RIGHTS RESERVED.

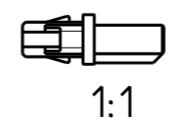
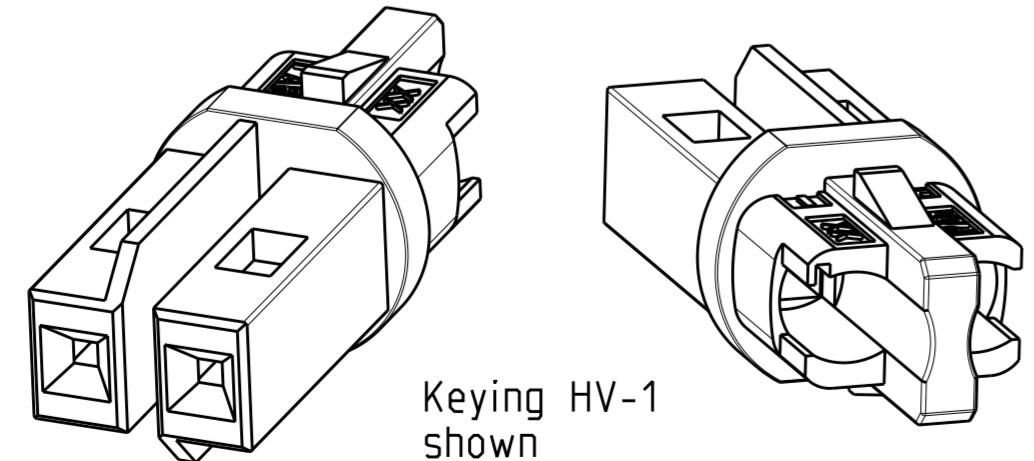
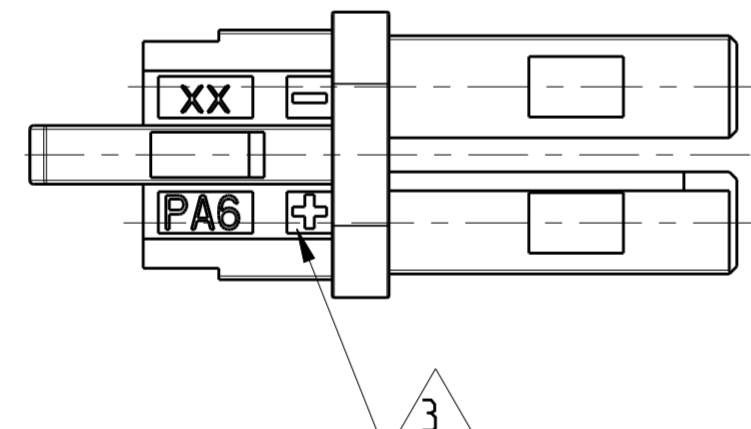
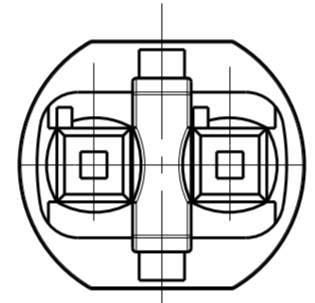
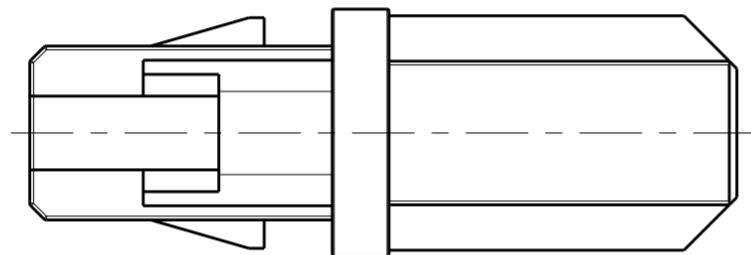
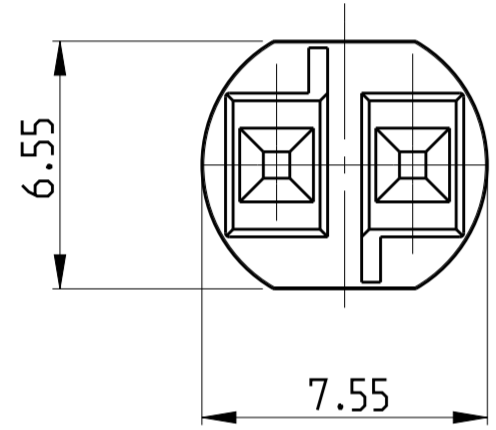
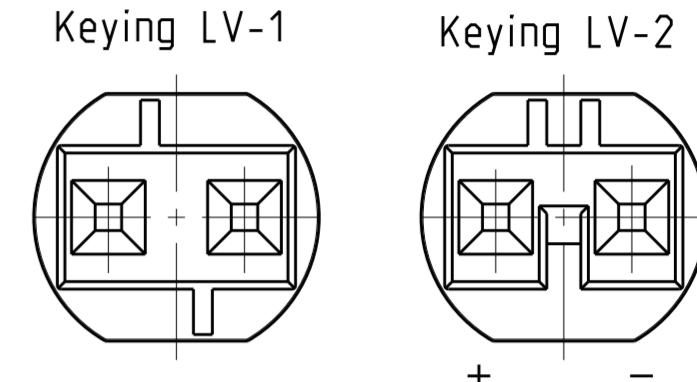
LOC	DIST	REVISIONS					
		P	LTR	DESCRIPTION	DATE	DWN	APVD
A1	-	H		ECR-16-003641	11MAY2016	RS	JL
		J		ECR-16-017348	24FEB2017	RK	JL
		J1		ADDED LV-2 PN -3 AND -4	15OCT2018	MZ	MZ
		J2		PNs -3 AND -4 RELEASED FOR PRODUCTION	07NOV2018	MZ	MZ



HIGH-VOLTAGE



LOW VOLTAGE



- Remarks:
- cavities designed for MQS socket contact PN 1740336-x
 - Counterpart is Outlet PN 1740262-x and corresponding products of the MiniHVL family
- 3 Polarity marking +/- permanent / usable for DC version
 - 4 PN specific marking
 - 5 OBSOLETE
 - 6 PRELIMINARY

6	LV-2	LOW -VOLTAGE 125VAC /VDC	125VAC /VDC	NATURAL/WHITE	0-1740449-4
	LV-2	LOW -VOLTAGE 125VAC /VDC	125VAC /VDC	BLACK (ANTHRACITE)	0-1740449-3
	LV-2	LOW -VOLTAGE 125VAC /VDC	125VAC /VDC	YELLOW	0-1740449-2
	LV-1	LOW -VOLTAGE 125VAC /VDC	125VAC /VDC	LIGHT GREY	0-1740449-1
5	HV-3	HIGH-VOLTAGE 125 V AC	6A/125V AC ~	BLUE	0-1740259-6
	HV-2	Switch	max. 7A	RED	0-1740259-5
	HV-1	HIGH-VOLTAGE 250V AC	2.5A/250V AC ~	BLACK (ANTHRACITE)	0-1740259-2
	HV-1	HIGH-VOLTAGE 250V AC	2.5A/250V AC ~	NATURAL/WHITE	0-1740259-1
	Keying	REMARKS	Marking 4	COLOR	PN

THIS DRAWING IS A CONTROLLED DOCUMENT.

DIMENSIONS: mm	TOLERANCES UNLESS OTHERWISE SPECIFIED: 0 PLC ±0.2 1 PLC ±0.2 2 PLC ±0.2 3 PLC ± 4 PLC ± ANGLES ±° FINISH	DWN H. HATZMANN 08FEB2005	TE Connectivity
		CHK DEENLOCH 08FEB2005	
MATERIAL PA 6		APVD BARTOSCH 08FEB2005	NAME NECTOR S CONNECTOR SYSTEM PLUG
		PRODUCT SPEC 108-94018	SIZE A2
CUSTOMER DRAWING		APPLICATION SPEC 114-18751	CAGE CODE 00779
		WEIGHT 0.4 g	DRAWING NO C-1740259
		RESTRICTED TO -	
		SCALE 5:1	SHEET 1 OF 1
		REV J2	