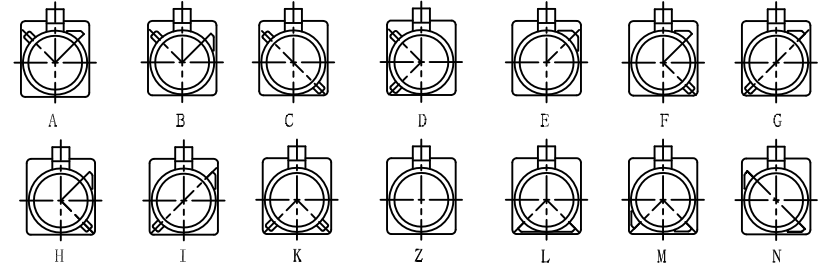
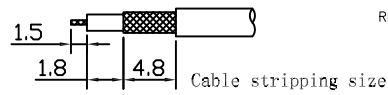
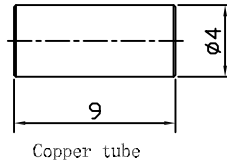
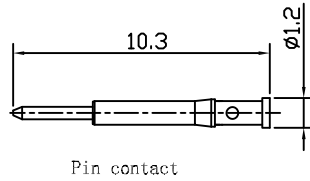
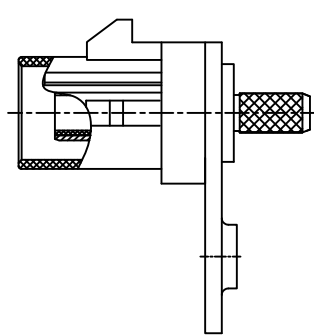
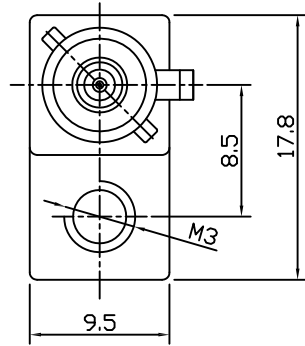
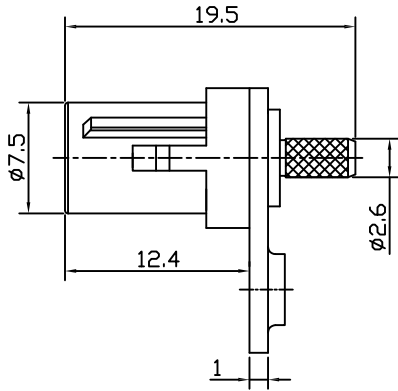
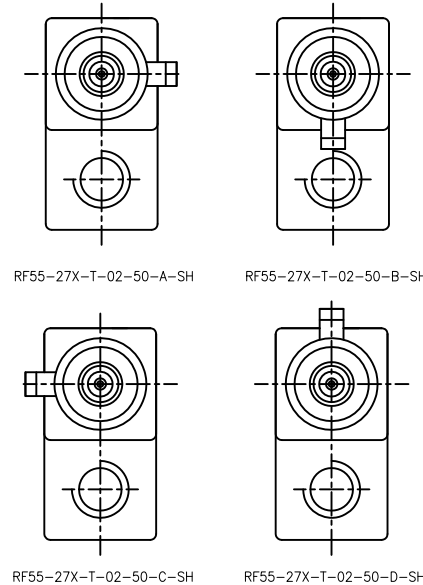


APPROVED: _____
 DATE: _____ TITLE: _____

| | | | | |
|-----|-------|-------------|--------|------|
| Rev | AWO # | Description | Date | Appr |
| - | | RELEASED | 6/6/18 | |



Port Type



RF55-27X-T-02-50-A-SH RF55-27X-T-02-50-B-SH
 RF55-27X-T-02-50-C-SH RF55-27X-T-02-50-D-SH

| Type | Color | Item No |
|------|-----------------|-----------------------|
| A | BLACK | RF55-27A-T-02-50-X-SH |
| B | WHITE | RF55-27B-T-02-50-X-SH |
| C | BLUE | RF55-27C-T-02-50-X-SH |
| D | BORDEAUX VIOLET | RF55-27D-T-02-50-X-SH |
| E | GREEN | RF55-27E-T-02-50-X-SH |
| F | BROWN | RF55-27F-T-02-50-X-SH |
| G | GREY | RF55-27G-T-02-50-X-SH |
| H | VIOLET | RF55-27H-T-02-50-X-SH |
| I | BEIGE | RF55-27I-T-02-50-X-SH |
| K | CURRY | RF55-27K-T-02-50-X-SH |
| Z | WATER BLUE | RF55-27Z-T-02-50-X-SH |
| L | CARMINE RED | RF55-27L-T-02-50-X-SH |
| M | PASTEL ORANGE | RF55-27M-T-02-50-X-SH |
| N | PASTEL GREEN | RF55-27N-T-02-50-X-SH |

| | | |
|---------------|------------|--------|
| METAL PLATE | STEEL | |
| PLASTIC SHELL | PA66+30%GF | |
| COPPER TUBE | BRASS | NICKEL |
| INSULATOR | PTFE | |
| PIN CONTACT | BRASS | GOLD |
| BODY | BRASS | NICKEL |
| DESCRIPTION | MATERIAL | FINISH |

SPECIFICATIONS:
 Electrical:
 Frequency range: DC~4 GHz
 Nominal Impedance: 50 ohms
 Withstanding voltage: 335 V
 Insulator Resistance: 1000 MΩ
 Contact Resistance: 6 Milliohms max. (Center Contact)
 1 Milliohms max. (Outer Contact)

Temperature Rating:
 Operating temperature: -40°C to +85°C
 Environmental:
 Lead free, RoHS compliant.



UNLESS OTHERWISE SPECIFIED
 ALL DIMENSIONS ARE MILLIMETERS
 TOLERANCES: EXCEPT AS NOTED
 INCHES HOLES
 .X ± 0.25
 .XX ± 0.15 ØXX ± 0.13
 .XXX + 0.05

| APPROVALS | | DATE |
|-----------|----|--------|
| DRAWN | AY | 6/6/18 |
| CHECKED | MY | 6/6/18 |
| APPROVED | | |

ADAM TECH
 INTERCONNECTS
 909 Rahway Avenue,
 Union, NJ 07083
 Phone: 908-687-5000
 Fax: 908-687-5710

| | | |
|--|-----------------------|--------------|
| TITLE | | |
| FAKRA PLUG SMB TYPE STRAIGHT FOR RG174/RG316 | | |
| SIZE | PART NO. | REV. |
| X | RF55-27X-T-02-50-X-SH | - |
| REF: S00134C | SCALE: NTS | SHEET 1 OF 1 |