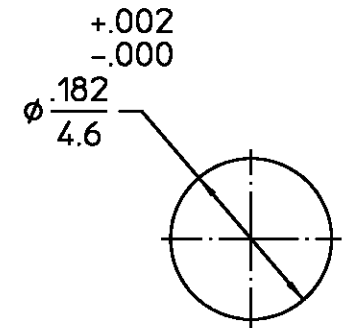
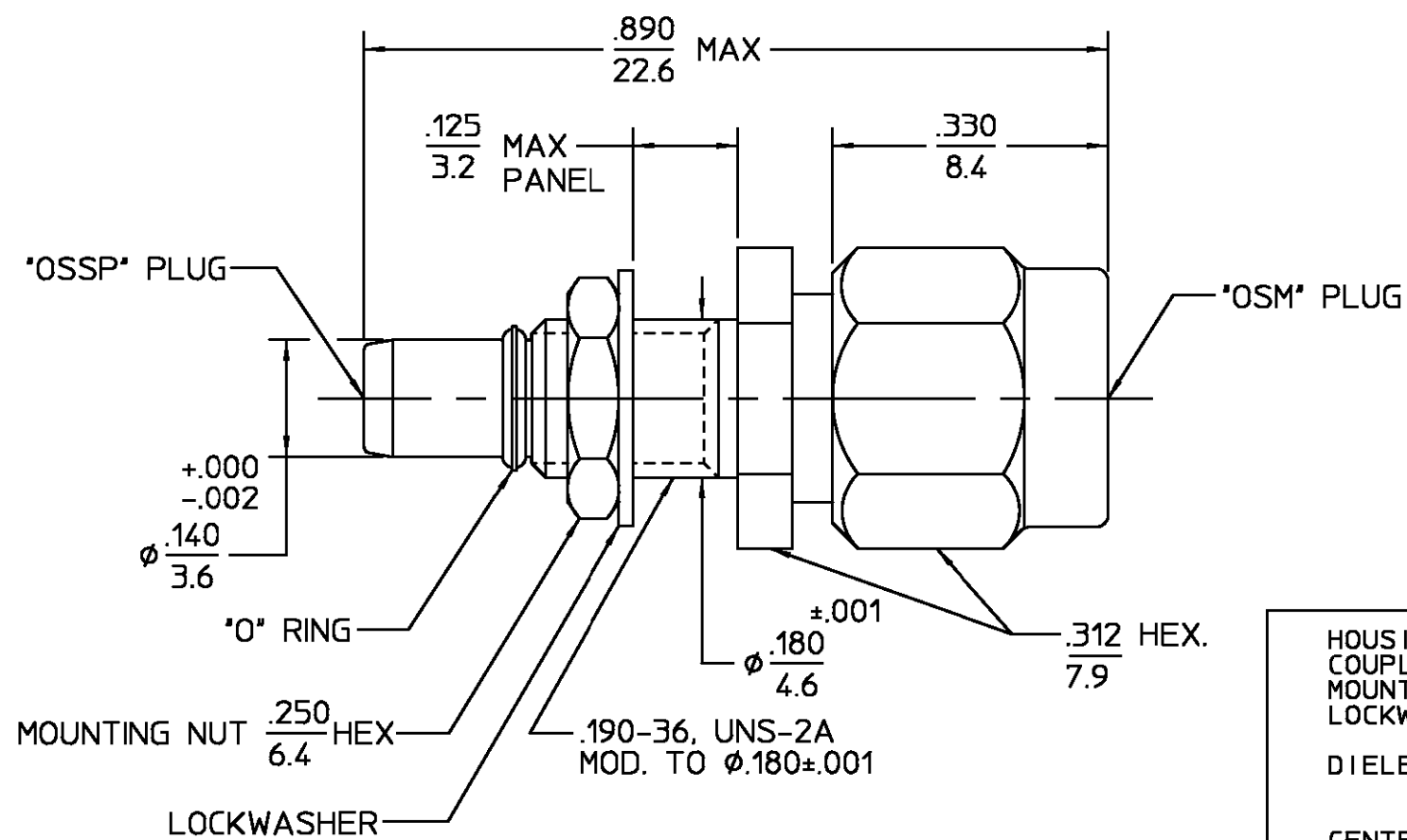


REVISIONS			
REV	DESCRIPTION	DATE	APPROVED
01 ₂	REVISED	8/18/87	<i>[Signature]</i>



RECOMMENDED MOUNTING HOLE

COMPONENT	MATERIAL	FINISH
HOUSING COUPLING NUT MOUNTING NUT LOCKWASHER	STAINLESS STEEL PER ASTM-A484 AND ASTM- A582, TYPE 303	PASSIVATE PER QQ-P-35
DIELECTRIC	PTFE FLUOROCARBON PER ASTM-D-1457	N/A
CENTER CONTACT	BERYLLIUM COPPER PER ASTM-B-196 OR ASTM-B-197, ALLOY C17300, CONDITION H	GOLD PLATE PER MIL-G-45204
RETAINING RING	BERYLLIUM COPPER PER ASTM-B-194, ALLOY C17200, CONDITION H	N/A
GASKET	SILICONE RUBBER PER ZZ-R-765	N/A
O-RING	FLUOROSILICONE 60 (DUROMETER) PER MIL-P-25988, CLASS 1, TYPE 1	N/A

ELECTRICAL	MECHANICAL	ENVIRONMENTAL
Nominal Impedance (Ohms) 50	Interface Dimensions SEE M/A-COM CATALOG	Temperature Rating -65°to+125°C
Frequency Range (GHz) DC to 18	Mating Characteristics:	Vibration MIL-STD-202, Method 204, Condition D
Volt Rating (VRMS MAX) @ Sea Level 250	Insertion (MAX Lbs) 3	Shock MIL-STD-202, Method 213, Condition I
VSWR 1.05±.01f(GHz)	Withdrawal (MIN Oz) 0.5	Thermal Shock MIL-STD-202, Method 107, Condition B
Insertion Loss (dB MAX) .06x√f(GHz)	Force to Engage (In-Lbs MAX) 3 & Disengage (In-Lbs MAX) 1.5	Moisture Resistance MIL-STD-202, Method 106
RF Leakage (dB MIN) -(60-f(GHz))	Center Contact Captivation Axial (Lbs) 4	Corrosion - MIL-STD-202, Method 101, Condition B
Corona, 70,000 Ft (VRMS MIN) 190		
Dielectric Withstanding Voltage (VRMS MIN) @ Sea Level 675		
Contact Resistance (Milliohms MAX)		
Center Contact 6.0		
Outer Contact 3.0		
Cable to Housing N/A		
RF High Potential @ Sea Level (VRMS MIN @ 5 MHz) 500		
I.R.(Megohms MIN) 5000		

UNLESS OTHERWISE SPECIFIED DIMENSIONS ARE IN MM		DRAWN BY GT		DATE 9/18/85	AMP 140 Fourth Avenue Waltham, MA 02451-7599
DEC. ±0.13	ANGLES ± 1°	CHECKED BY SWA	DATE 9/23/85		
		APPROD BY PCV	DATE 10/25/85		
TITLE "OSSP" PLUG TO "OSM" PLUG BULKHEAD FEEDTHRU ADAPTER			SIZE B	CODE IDENT NO. 26805	4783-2241-02
			SCALE 5:1	REV 01 ₂	SHEET 1 OF 1

These drawings and specifications are the property of M/A COM Interconnect Div. and shall not be reproduced or copied or used in whole or in part as the basis for the manufacture or sale of item(s) without written permission.

.XXX = in
XX.X = mm (REF)

CUSTOMER DRAWING

AMP PART # 1059938-1
SHEET 1 OF 1 REV B
PER EC # OU20-0261-01