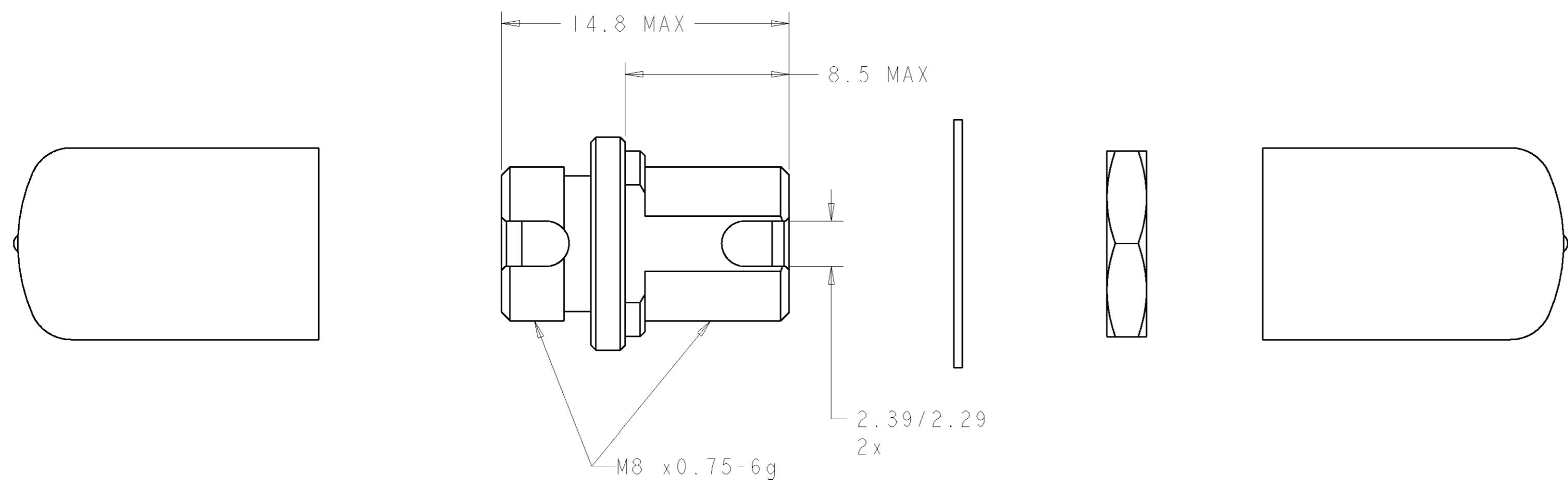


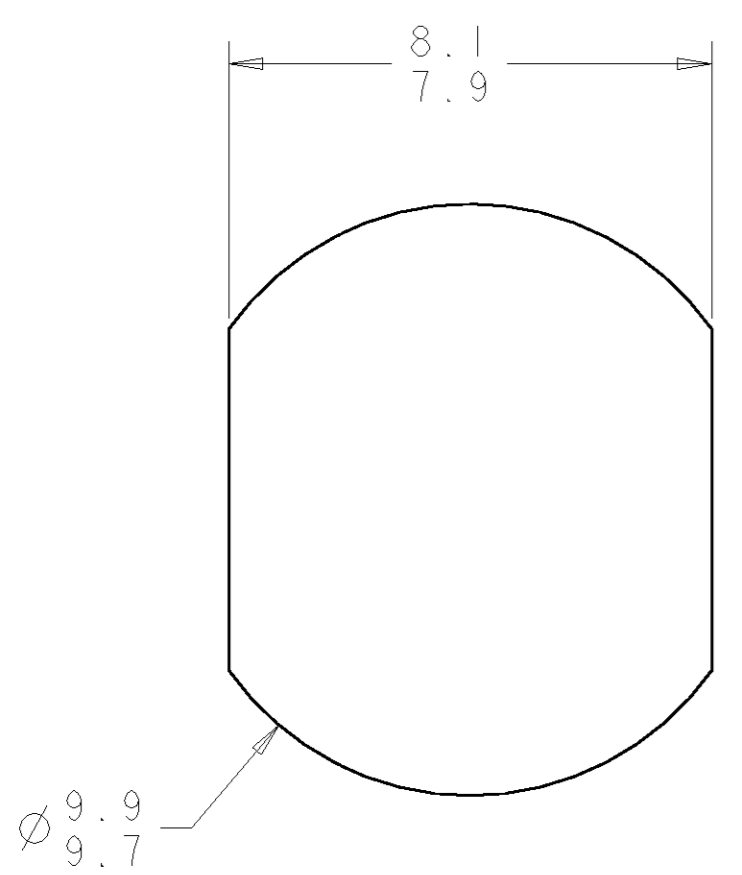
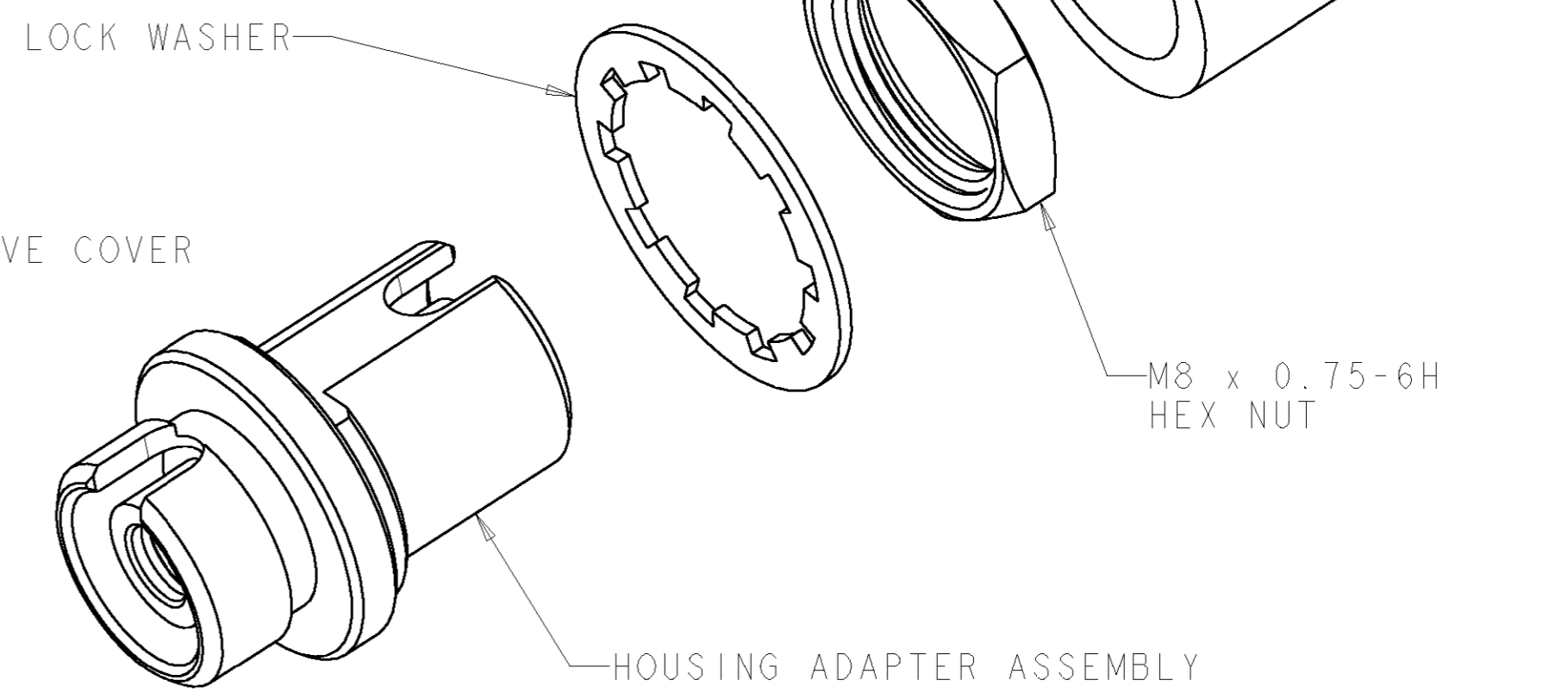
THIS DRAWING IS UNPUBLISHED. RELEASED FOR PUBLICATION 20
 © COPYRIGHT 20 BY TYCO ELECTRONICS CORPORATION. ALL RIGHTS RESERVED.

LOC	DIST	REVISIONS					
CE	00	P	LTR	DESCRIPTION	DATE	DWN	APVD
			K	REVISE PER 0A00-0150-05	29APR2005	BB	SM



⚠ MATERIAL:
 HOUSING: NICKEL PLATED COPPER ALLOY
 ADAPTER INSERT: NICKEL PLATED COPPER ALLOY
 HEX NUT: NICKEL PLATED COPPER ALLOY
 SLEEVE: PHOSHER BRONZE
 LOCK WASHER: ZINC PLATED STEEL
 PROTECTIVE COVER: VINYL, COLOR: RED

2. MAXIMUM RECOMMENDED PANEL THICKNESS 1.65.



RECOMMENDED PANEL CUTOUT
 SCALE 8:1

504013-1
 PART NUMBER

THIS DRAWING IS A CONTROLLED DOCUMENT FOR TYCO ELECTRONICS CORPORATION. IT IS SUBJECT TO CHANGE AND THE CONTROLLING ENGINEERING ORGANIZATION SHOULD BE CONTACTED FOR THE LATEST REVISION.		DWN B. BRIGGS 29APR2005	Tyco Electronics Harrisburg, PA 17105-3608	
DIMENSIONS: mm		CHK S. MILLER 29APR2005	NAME RECPTACLE, FC, STANDARD SLOT	
TOLERANCES UNLESS OTHERWISE SPECIFIED: 0 PLC ± 1 PLC ± 2 PLC ±0.25 3 PLC ± 4 PLC ± ANGLES ± FINISH		APVD S. BUCHTER 29APR2005	PRODUCT SPEC - APPLICATION SPEC - WEIGHT -	
MATERIAL		SIZE A200779		CAGE CODE C-504013
CUSTOMER DRAWING		SCALE 5:1		SHEET 1 OF 1 REV K