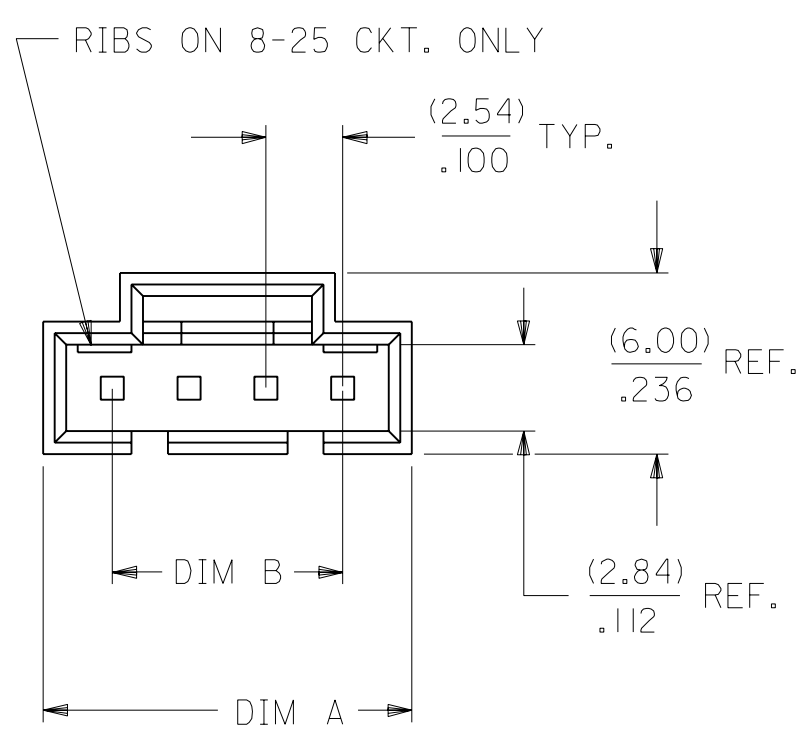
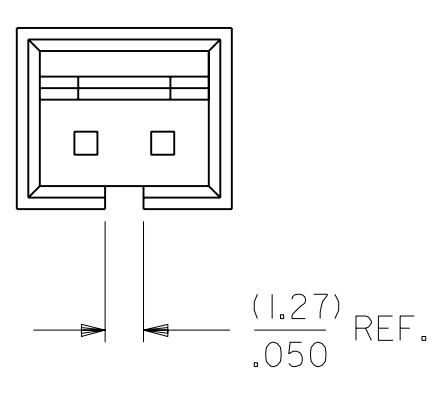


- NOTES:
- 1) MATERIAL: GLASS FILLED POLYESTER, UL 94V-0  
COLOR: BLACK
  - 2) HOUSING TO BE USED WITH TERMINAL  
PT. NO. 70021-\*\*\*\*.
  - 3) SEE CHART FOR CIRCUIT SIZES.
  - 4) TO BE USED WITH 70400 SERIES  
CONNECTORS (STYLE "G").
  - 5) PACKAGE PER PK-70107-100.

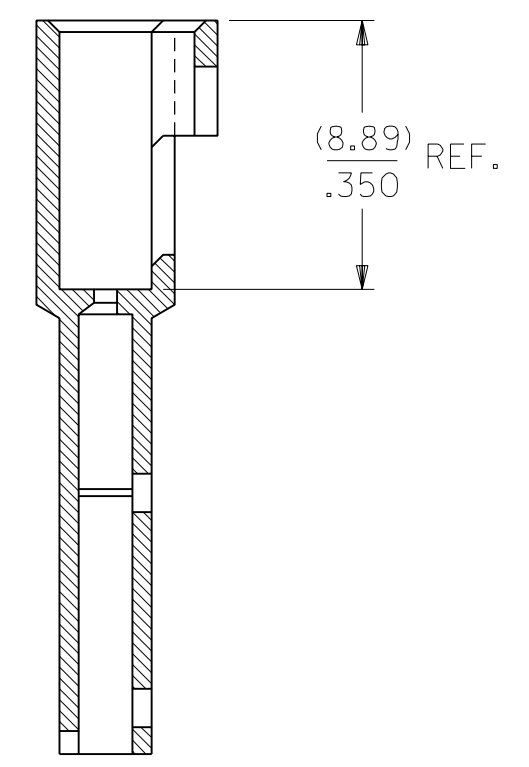
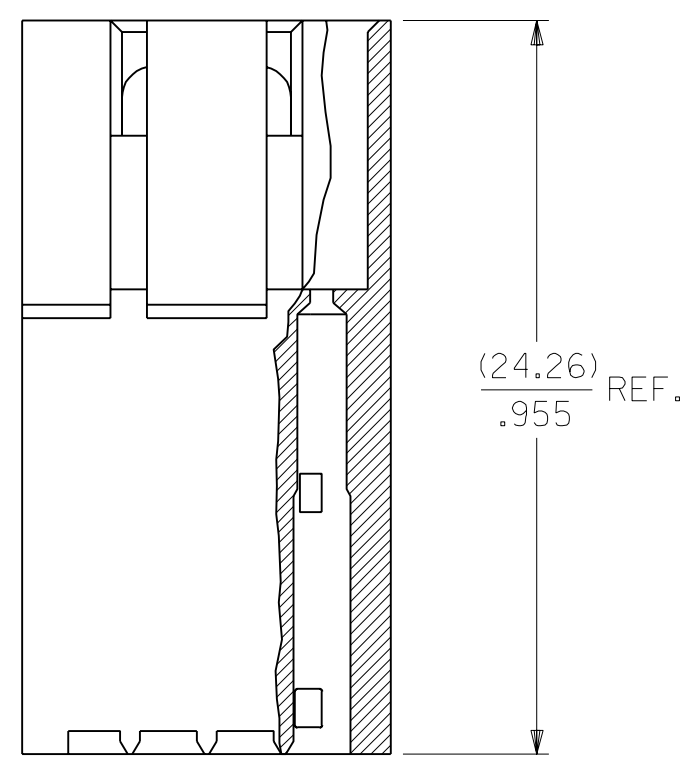
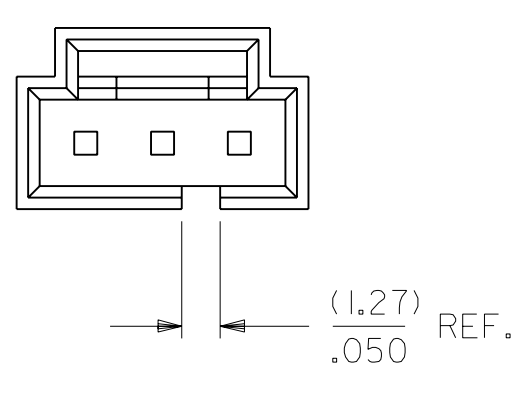
CKT. SIZE	EDP. NO.	ENG. NO.	A	B
2	701-07-0001	70107-0001	(7.11) .280	(2.54) .100
3	701-07-0002	70107-0002	(9.65) .380	(5.08) .200
4	701-07-0003	70107-0003	(12.19) .480	(7.62) .300
5	701-07-0004	70107-0004	(14.73) .580	(10.16) .400
6	701-07-0005	70107-0005	(17.27) .680	(12.70) .500
7	701-07-0006	70107-0006	(19.81) .780	(15.24) .600
8	701-07-0007	70107-0007	(22.35) .880	(17.78) .700
9	701-07-0008	70107-0008	(24.89) .980	(20.32) .800
10	701-07-0009	70107-0009	(27.43) 1.080	(22.86) .900
11	701-07-0010	70107-0010	(29.97) 1.180	(25.40) 1.000
12	701-07-0011	70107-0011	(32.51) 1.280	(27.94) 1.100
13	701-07-0012	70107-0012	(35.05) 1.380	(30.48) 1.200
14	701-07-0013	70107-0013	(37.59) 1.480	(33.02) 1.300
15	701-07-0014	70107-0014	(40.13) 1.580	(35.56) 1.400
16	701-07-0015	70107-0015	(42.67) 1.680	(38.10) 1.500
17	701-07-0016	70107-0016	(45.21) 1.780	(40.64) 1.600
18	701-07-0017	70107-0017	(47.75) 1.880	(43.18) 1.700
19	701-07-0018	70107-0018	(50.29) 1.980	(45.72) 1.800
20	701-07-0019	70107-0019	(52.83) 2.080	(48.26) 1.900
21	701-07-0020	70107-0020	(55.37) 2.180	(50.80) 2.000
22	701-07-0021	70107-0021	(57.91) 2.280	(53.34) 2.100
23	701-07-0022	70107-0022	(60.45) 2.380	(55.88) 2.200
24	701-07-0023	70107-0023	(62.99) 2.480	(58.42) 2.300
25	701-07-0024	70107-0024	(65.53) 2.580	(60.96) 2.400



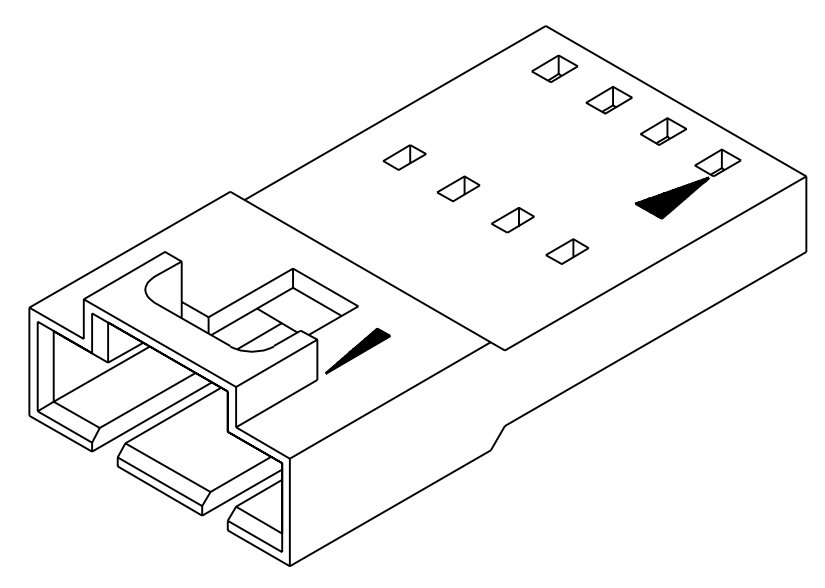
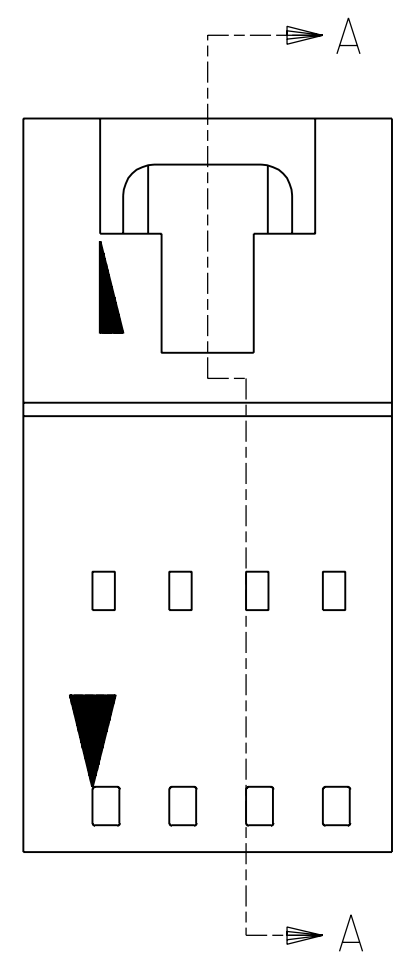
2 CIRCUIT



3 CIRCUIT



SECTION A-A



MFG. SH. REV.

H		ADD PKG NOTE PER UDT2000-0468 SCHAFFER 99/12/1		DIMENSIONS SHOWN (METRIC) INCH		UNLESS OTHERWISE SPECIFIED TOLERANCES: ANGULAR ± 1/2°		▽ = 0 ▼ = 0		REVISE ONLY ON CAD SYSTEM	
I I		FIXED REV BLOCK I TO CORRECT ECR # PER UDT2002-0499 KSTILES 01/09/25		REVISE PER ECR #U81037 2/22/88 MJM		INCH METRIC		3 PLACE ± .010 ---		TITLE	
I		CHANGED MATERIAL AND SWITCHED A AND B DIMS PER UDT2002-0007 KSTILES 01/07/17		REDRAWN ON CAD ADD SHEET 2 PER ECR #9280 8/21/86 MJM		2 PLACE ± .014 ± 0.25		1 PLACE --- ± 0.35		MOLEX INCORPORATED	
LTR.		REVISIONS		LTR.		REVISIONS		DRWG. NO.		SD-70107-0001-0024	
LTR.		REVISIONS		LTR.		REVISIONS		DRWG. NO.		SD-70107-0001-0024	