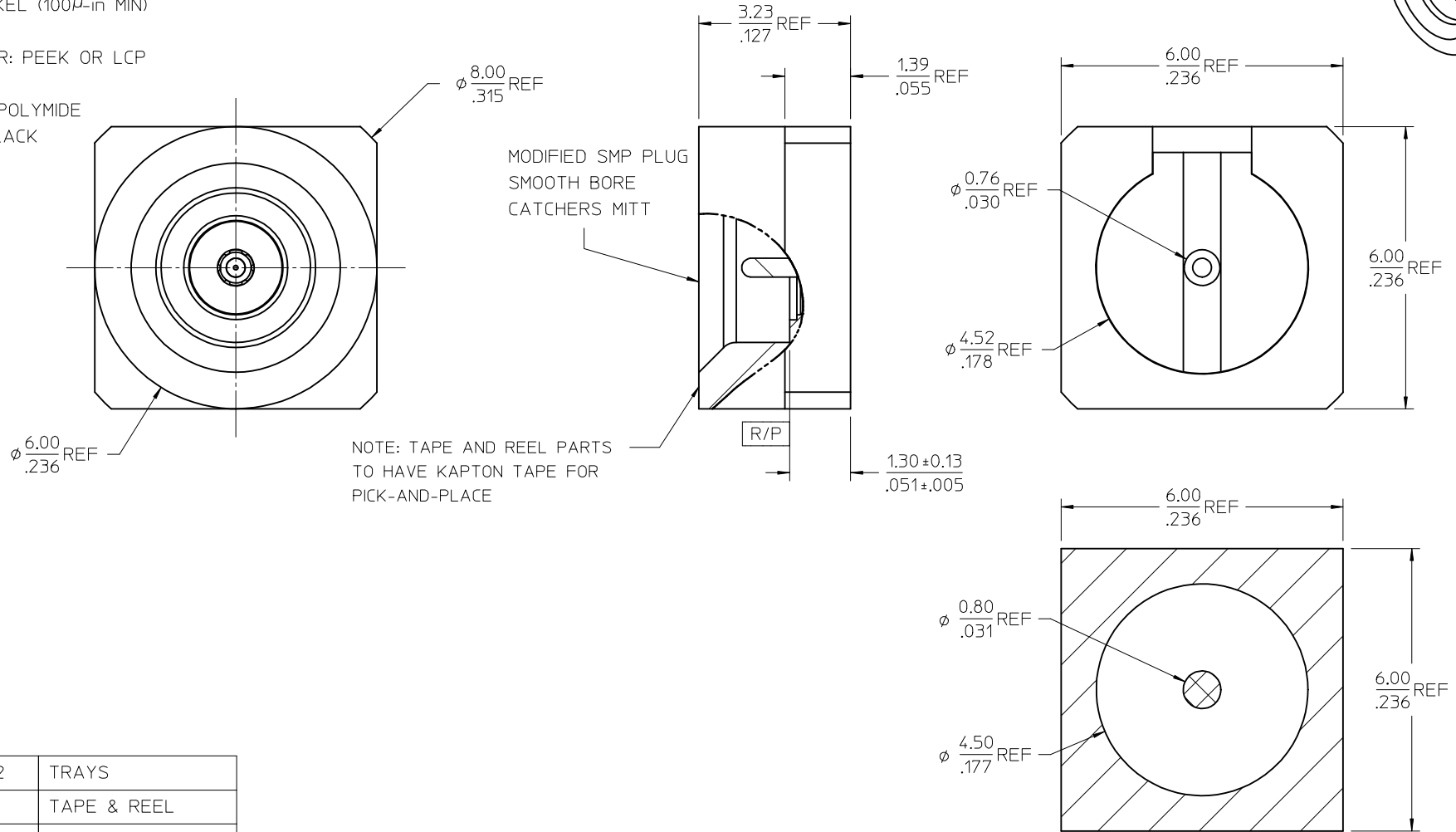
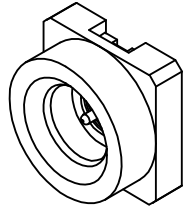


MATERIALS AND FINISHES:

BODY, CONTACT: BRASS
 PLATED: GOLD (30μ-in MIN)
 OVER NICKEL (100μ-in MIN)

INSULATOR: PEEK OR LCP

KAPTON: POLYIMIDE
 COLOR: BLACK



NOTE: TAPE AND REEL PARTS
 TO HAVE KAPTON TAPE FOR
 PICK-AND-PLACE

OPTIONAL PCB LAYOUT
 DESIGN TO 50 OHMS

73406-6082	TRAYS
73406-6081	TAPE & REEL
73406-6080	SINGLE
PART NO.	PACKAGING

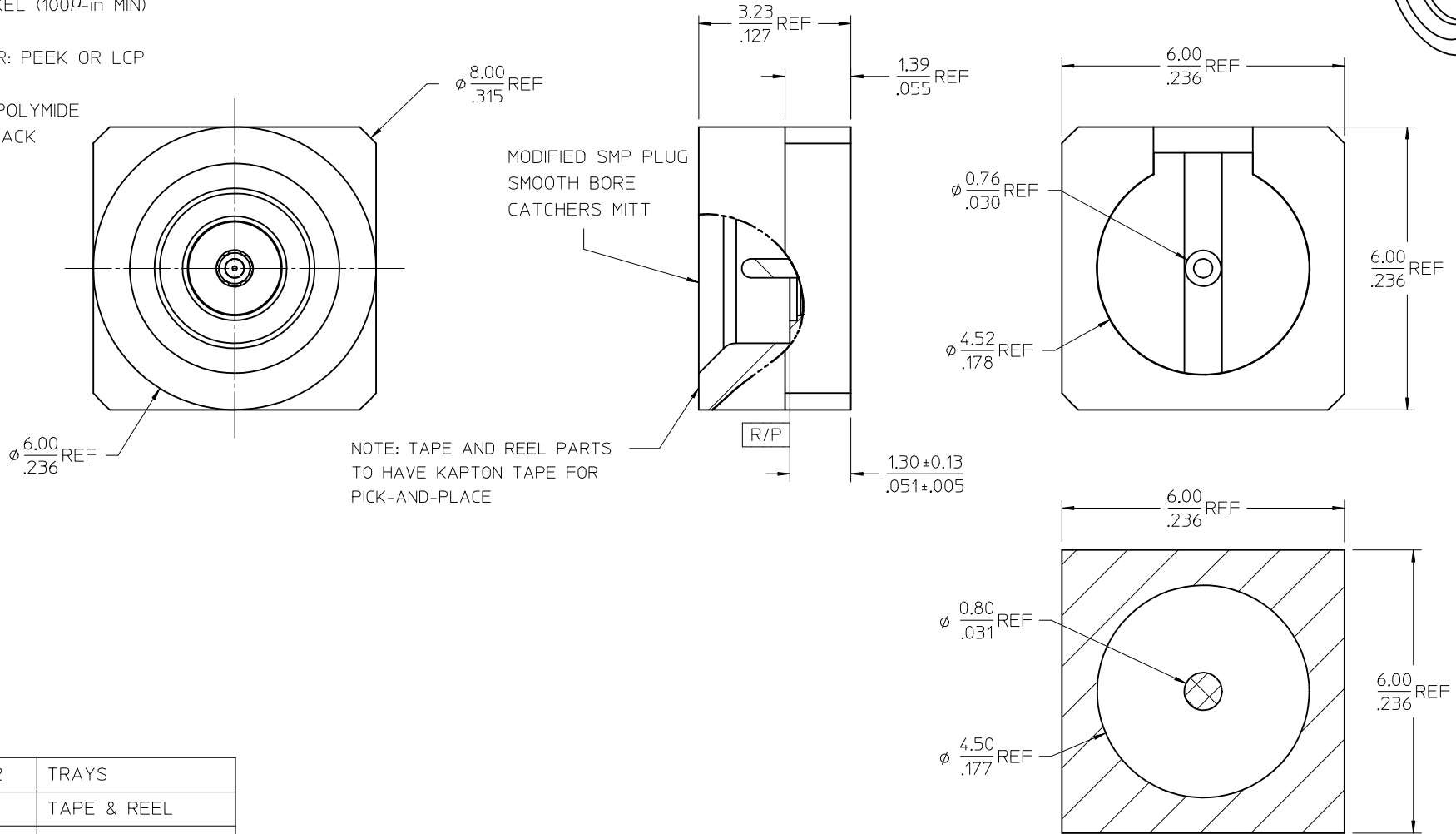
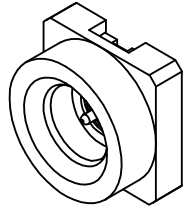
MIL-STD-348B, FIG. 326.5	INTERFACE	CHG: ADD TOLERANCE TO DIM 1.30/0.51 IN F5/6 ZONE UPD MATERIALS AND FINISHES NOTE. DRWIN: PRAKASHO1 2017/05/23 CHKD: 888 2017/05/23 APPR: ROBERTSON 2017/06/28	QUALITY SYMBOLS ▽=0 ▽=0 ▽=0	GENERAL TOLERANCES (UNLESS SPECIFIED)		DIMENSION STYLE MM/IN		SCALE	DESIGN UNITS METRIC	THIRD ANGLE PROJECTION
	SPECIFICATION			DESCRIPTION	mm	INCH	DRAWN BY AZR	DATE 2008/10/21	TITLE MODIFIED SMP PLUG SB CATCHERS MITT SMT SMP-P/PCB, EWR-3770	
		A4		4 PLACES ± --- ± ---		CHECKED BY SSS	DATE 2008/10/21	moxlex SD-73406-608		SHEET NO. 1 OF 1
				ANGULAR ± 2 °		APPROVED BY JDW		DOCUMENT NO.		
				DRAFT WHERE APPLICABLE MUST REMAIN WITHIN DIMENSIONS		MATERIAL NO. SEE TABLE		THIS DRAWING CONTAINS INFORMATION THAT IS PROPRIETARY TO MOLEX INCORPORATED AND SHOULD NOT BE USED WITHOUT WRITTEN PERMISSION		

MATERIALS AND FINISHES:

BODY, CONTACT: BRASS
 PLATED: GOLD (30μ-in MIN)
 OVER NICKEL (100μ-in MIN)

INSULATOR: PEEK OR LCP

KAPTON: POLYIMIDE
 COLOR: BLACK



NOTE: TAPE AND REEL PARTS
 TO HAVE KAPTON TAPE FOR
 PICK-AND-PLACE

OPTIONAL PCB LAYOUT
 DESIGN TO 50 OHMS

73406-6082	TRAYS
73406-6081	TAPE & REEL
73406-6080	SINGLE
PART NO.	PACKAGING

MIL-STD-348B, FIG. 326.5	INTERFACE	CHG: ADD TOLERANCE TO DIM 1.30/0.51 IN F5/6 ZONE UPD MATERIALS AND FINISHES NOTE. DRWIN:APRAKASHO1 2017/05/23 CHKD:888 2017/05/23 APPR:AROBERTSON 2017/06/28	QUALITY SYMBOLS ▽=0 ▽=0 ▽=0	GENERAL TOLERANCES (UNLESS SPECIFIED)		DIMENSION STYLE MM/IN		SCALE	DESIGN UNITS METRIC	THIRD ANGLE PROJECTION
	SPECIFICATION			DESCRIPTION	mm	INCH	DRAWN BY AZR	DATE 2008/10/21	TITLE MODIFIED SMP PLUG SB CATCHERS MITT SMT SMP-P/PCB, EWR-3770	
		A4		4 PLACES ± --- ± ---		CHECKED BY SSS	DATE 2008/10/21	moxlex SD-73406-608		SHEET NO. 1 OF 1
				ANGULAR ± 2 °		APPROVED BY JDW		DOCUMENT NO.		
				DRAFT WHERE APPLICABLE MUST REMAIN WITHIN DIMENSIONS		MATERIAL NO. SEE TABLE		THIS DRAWING CONTAINS INFORMATION THAT IS PROPRIETARY TO MOLEX INCORPORATED AND SHOULD NOT BE USED WITHOUT WRITTEN PERMISSION		