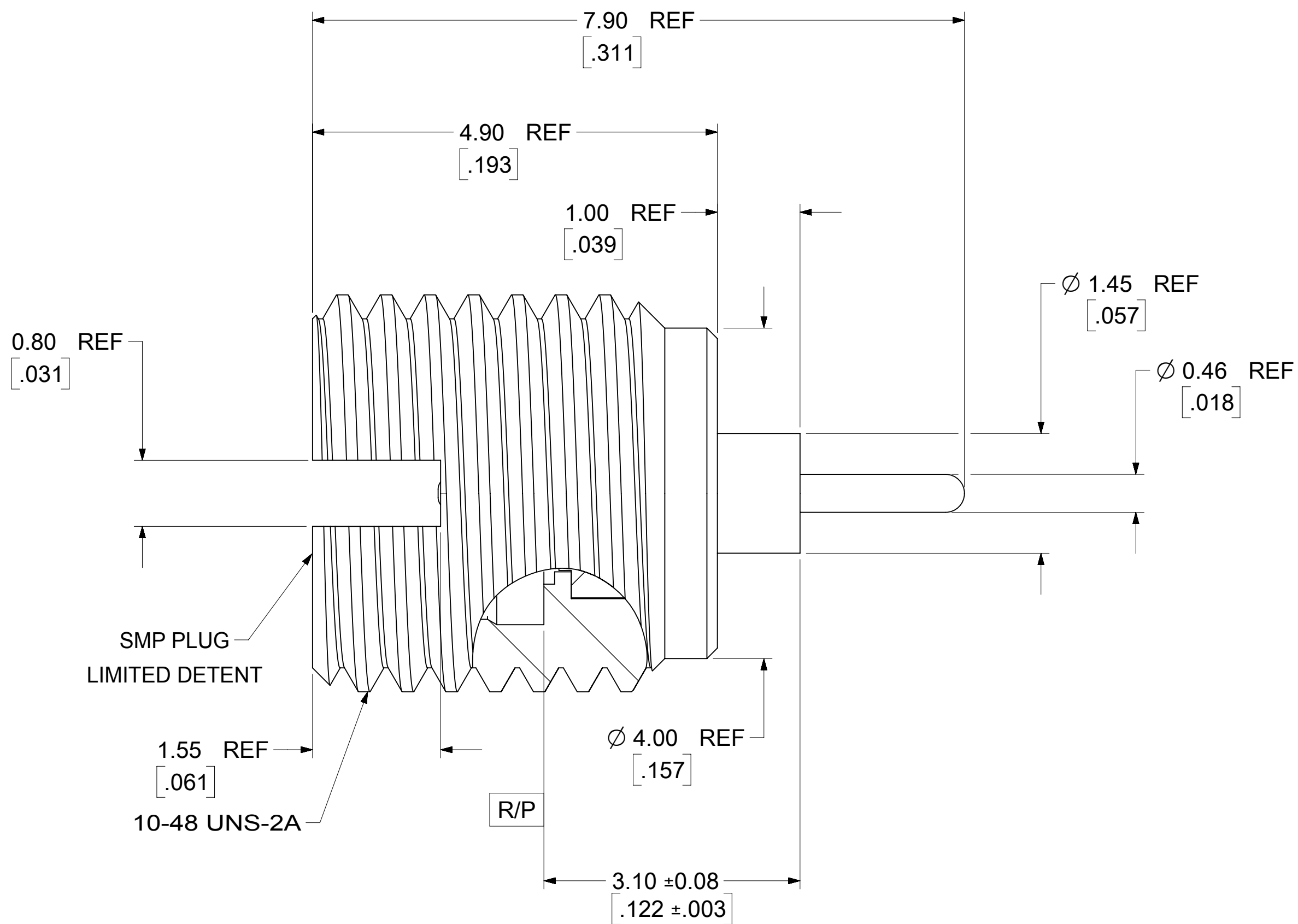
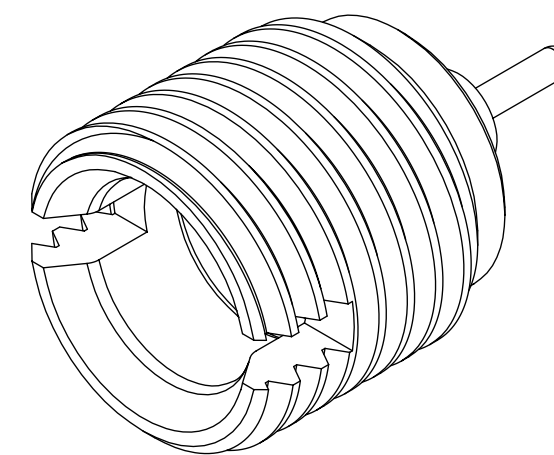


MATERIALS AND FINISHES:

BODY: STAINLESS STEEL
 PLATED: PASSIVATED

CENTER CONTACT: BERYLLIUM COPPER
 PLATED: GOLD (50µ-in MIN)
 OVER NICKEL (100µ-in MIN)

INSULATOR: PTFE



| | | |
|------------|-------------|--------------|
| 73415-5561 | ONE PER BAG | 895420470 |
| 73415-5560 | TRAY | 895420040 |
| PART # | PACKAGING | PACKING SPEC |

| | |
|--------------------------|-----------------------|
| PS-89675-3320 | PRODUCT SPECIFICATION |
| MIL-STD-348B, FIG. 326.3 | INTERFACE SMP LD |
| SPECIFICATION | DESCRIPTION |

| | | | | | | | | | | |
|--|---|--------------------------|--------------------------------------|--------|-----------------|----------------|--------------|-----|----|--|
| FUNCTIONAL SYMBOLS | THIS DRAWING CONTAINS INFORMATION THAT IS PROPRIETARY TO MOLEX ELECTRONIC TECHNOLOGIES, LLC AND SHOULD NOT BE USED WITHOUT WRITTEN PERMISSION | | | | | | | | | |
| | DIMENSION UNITS | SCALE | CURRENT REV DESC: | | | | | | | |
| $\frac{F}{A} = 0$ | MM/INCH | NTS | EWR # 15321-E ADDED -5561 PART NO | | | | | | | |
| $\frac{E}{C} = 0$ | GENERAL TOLERANCES (UNLESS SPECIFIED) | | EC NO: 718007 | | | | | | | |
| $\frac{E}{P} = 0$ | ANGULAR TOL ± 2.0° | | DRWN: JSU18 2022/08/11 | | | | | | | |
| DIVISIONAL SYMBOLS | 4 PLACES | ± | CHK'D: YCHENG 2022/08/24 | | | | | | | |
| | 3 PLACES | ± | APPR: YCHENG 2022/08/24 | | | | | | | |
| | 2 PLACES | ± 0.25 | INITIAL REVISION: | | | | | | | |
| | 1 PLACE | ± | DRWN: SSHAH 2005/09/23 | | | | | | | |
| 0 PLACES | ± | APPR: JWIENER 2005/09/23 | | | | | | | | |
| DRAFT WHERE APPLICABLE MUST REMAIN WITHIN DIMENSIONS | | THIRD ANGLE PROJECTION | DRAWING | SERIES | MATERIAL NUMBER | CUSTOMER | SHEET NUMBER | | | |
| | | | C-SIZE | 73415 | SD-73415-556 | GENERAL MARKET | PSD | 001 | A3 | |