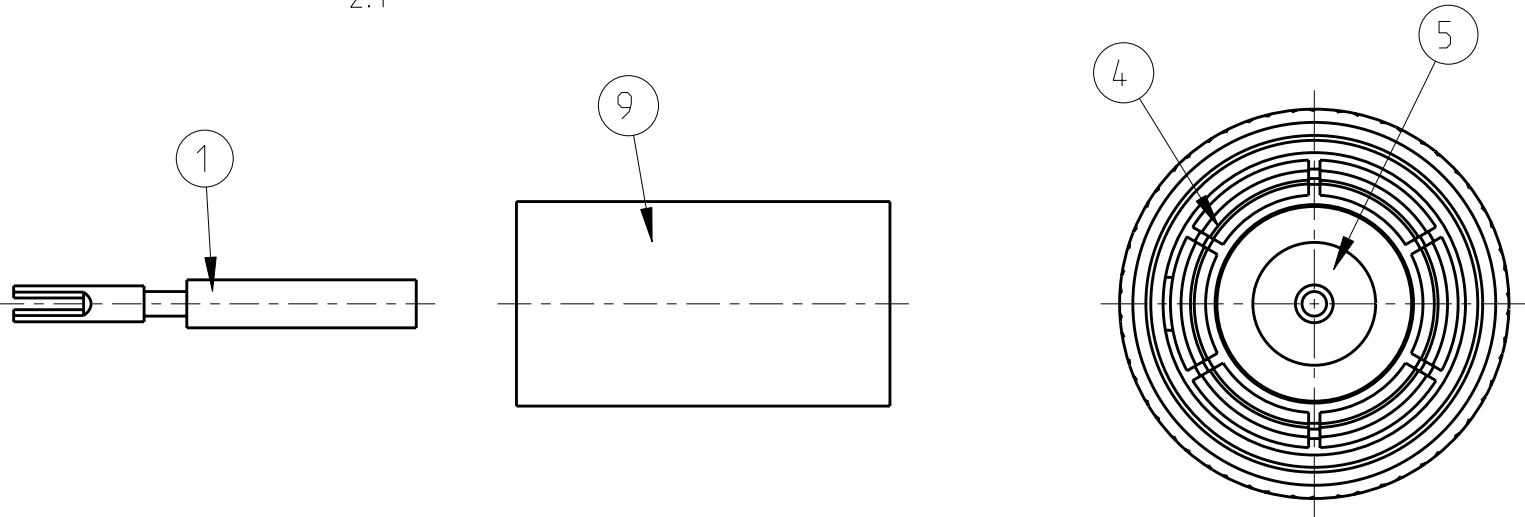
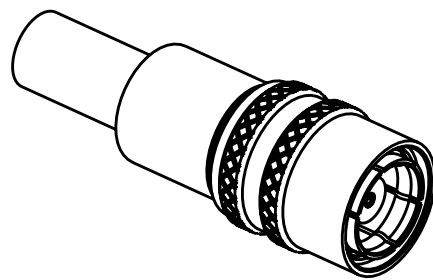
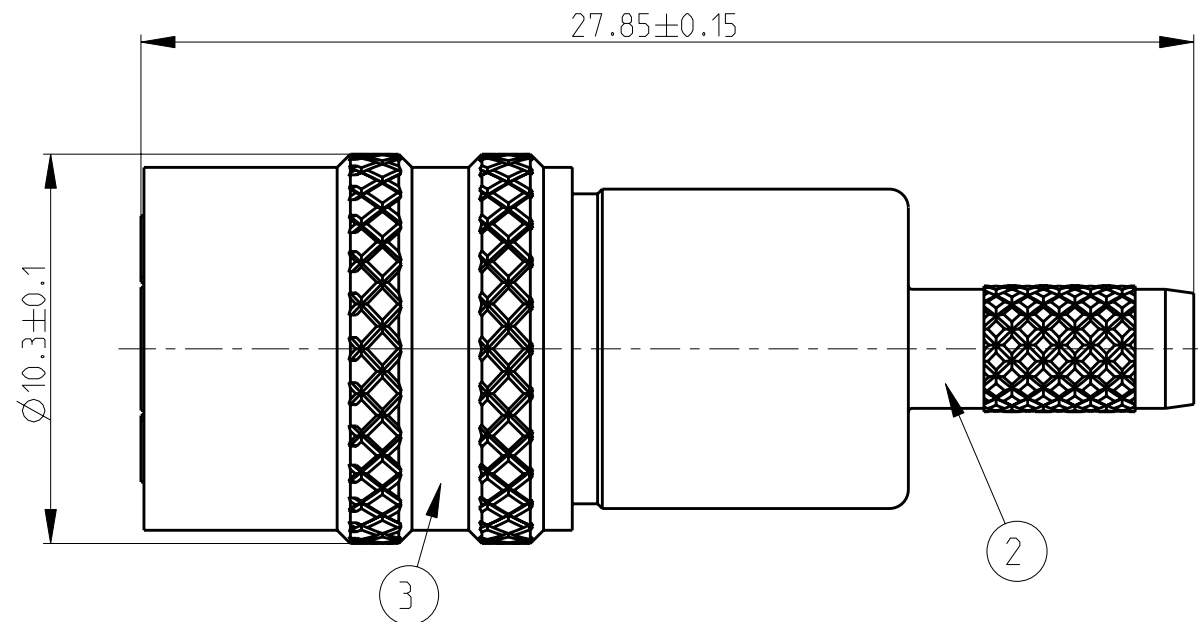


LOC	DIST	REVISIONS			
P	LTR	DESCRIPTION	DATE	DWN	APVD
IS	-	A	ECR-06-029233 (old PN B67A64T437X)	12DEC06	AN DB



1) Nominal characteristic impedance 75 Ohm.

2) General tolerances according to ISO 2768-mH.

3) 200 Plugs assy (pos. from 2 to 8) packed with 200 cent. conductors (pos. 1), 200 ferrules (pos. 9) and 1 crimp tool (PN 1402250-1 not visible on drawing), each separately in plastic bag. Plastic bags packed in carton box PN 973171-2. 6 carton boxes packed in carton box PN 973058-3.

4) 1 Plug assy (pos. from 2 to 8) packed with 1 cent. conductor (pos. 1) and 1 ferrule (pos. 9) in plastic bag.

5) Items 6,7 and 8 not visible on drawing.

6) Full crimp version
Center conductor: crimp tool Tyco PN 1331706-1, adaptor crimp tool PN 1402250-1

Crimpend: crimp tool Tyco PN 1311774-1 crimp hex 4.57 (PN 1313914-1)

or alternatively
crimp tool Tyco PN 734537-1 crimp hex 4.52 (PN 58425-2)

<p>3) 1311102-1</p> <p>4) 1311102-2</p>	9	Ferrule	Brass	min. 1µm Ni over min. 0.1µm Cu	1
	8	Retaining ring Ø8.97	Copper Beryllium	-	1
	7	Retaining ring Ø8.71	Copper Beryllium	-	1
	6	Spring	Spring steel	-	1
	5	Dielectric	PTFE	-	1
	4	Outer conductor	Copper Beryllium	min. 0.2µm Au over min. 2µm NiP	1
	3	Sleeve	Brass	min. 2µm Ni over min. 0.2µm Cu	1
	2	Crimpend	Brass	min. 2µm Ni over min. 0.2µm Cu	1
	1	Center conductor	Copper Beryllium	min. 0.2µm Au over min. 2µm NiP	1
Part Nr	Item	Description	Material	Plating	Qty

DIMENSIONS:		TOLERANCES UNLESS OTHERWISE SPECIFIED:		tyco Electronics	
mm				tyco Electronics CH - Switzerland - Lugano	
		0 PLC ± 1 PLC ± 2 PLC ± 3 PLC ± 4 PLC ± ANGLES ±		DWN 12DEC2006 A. Nicolini CHK 12DEC2006 D.Bozzer APVD - NAME PRODUCT SPEC - APPLICATION SPEC - WEIGHT -	
MATERIAL see table		FINISH see table		BT43 Plug Cable Crimp BT3002 Quick Lock SIZE A3 CAGE CODE 00779 DRAWING NO C-1311102 RESTRICTED TO -	
CUSTOMER DRAWING				SCALE 5:1	SHEET 1 OF 1 REV A