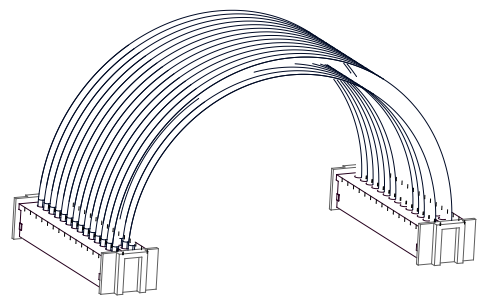
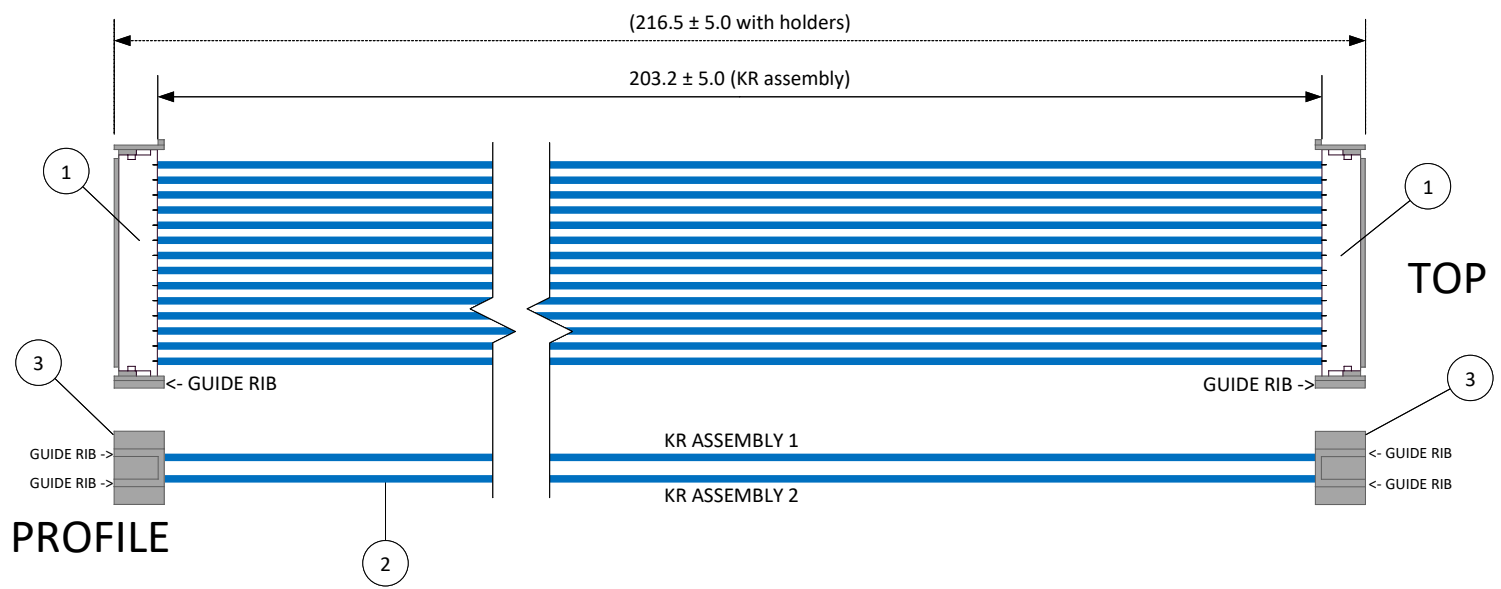
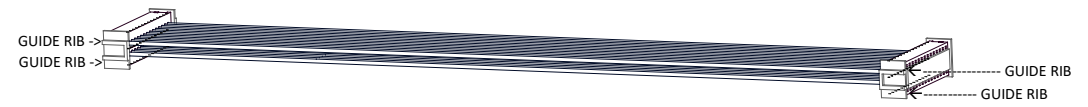


THIS DRAWING CONTAINS INFORMATION THAT IS PROPRIETARY TO J.S.T. AND SHALL NOT BE USED OR SHOWN WITHOUT WRITTEN PERMISSION.

ITEM	QTY.	PART NO.	DESCRIPTION
1	4	14KR-6S-P	KR CONNECTOR
2	5,964 mm	UL1061, 26AWG	BLUE
3	2	KRWH-28C-H	GRAY CONNECTOR HOLDER



**JST**

Electrical Specifications
Current: 1.0A AC/DC
Voltage: 100V AC/DC

DIMENSIONS All dimensions are in MM with a tolerance of +/- 5.0 unless otherwise specified.		SCALE 1: 1	DESCRIPTION 2.0 mm Pitch KRW Catalog Standard Assembly - 8" Inside Length
DRAWN BY STEVEN PILKINGTON		ASSEMBLY PART NO. A28KRW28KRW26E203D	
CHECKED BY CHELSEA COLE		DRAWING NO. GAM-1080	DATE 11/2/2021

REV.	DESCRIPTION	DATE	BY