

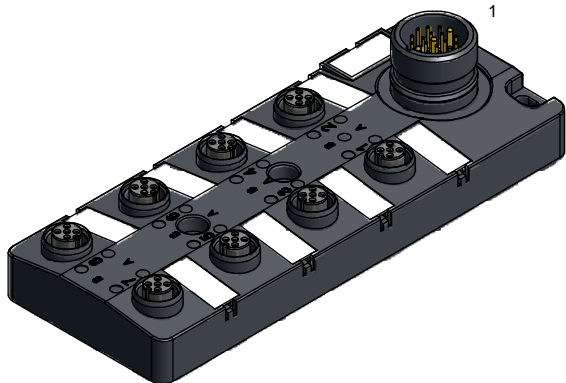
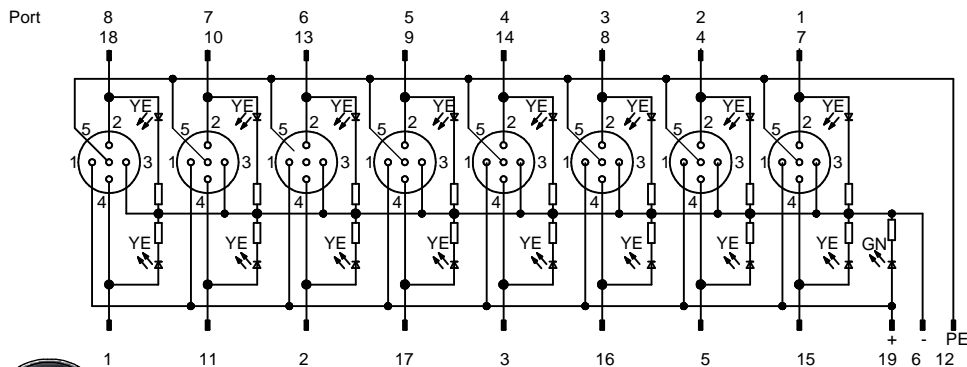
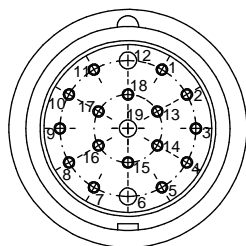
**Technical specification:**

Rated voltage: max. 30 V  
 Current rating: 2A signal contact, total ampacity max. 12A  
 Insulation resistance: IEC 60512 >=100 MΩ  
 Pollution degree: IEC 60664-1 3/2  
 Degree of protection: IEC 60529 IP 67, in mated condition  
 Temperature range: IEC 60664-1 -20°C ... +80°C (unmoved)  
 Mating cycles: IEC 60512-9a >=100

**Materials:**

Contact: CuSn6  
 Contact plating: Nickel, gold plated  
 Contact carrier: PBT, UL 94  
 Sealing: FPM  
 Housing: PBT, UL 94 similar to RAL 7024  
 Grouting: Polyurethane-resin, UL 94

Pin-Configuration M23x1



Part no:	Description:
43-05015	SAL - 12 - 8FK5 - 17L

DO NOT ALTER CAD DRAWING BY HAND Directive 2002/95/EC RoHS compliant	Index: a 22.08.11 VF Ä3941 data sheet revised	dim. in mm	title: <b>Junction box M12x1 8-way with          connector M23x1, plastic housing</b>								
	tolerance of cable:	<table border="1"> <tr> <td>date</td> <td>name</td> </tr> <tr> <td>31.10.07</td> <td>Fromm</td> </tr> <tr> <td>appd.</td> <td>14.02.08</td> </tr> <tr> <td></td> <td>W. Schmidt</td> </tr> </table>		date	name	31.10.07	Fromm	appd.	14.02.08		W. Schmidt
	date	name									
	31.10.07	Fromm									
appd.	14.02.08										
	W. Schmidt										
general tolerance:	<table border="1"> <tr> <td>0</td> <td>± 0,50mm</td> </tr> <tr> <td>0,0</td> <td>± 0,25mm</td> </tr> <tr> <td>0,00</td> <td>± 0,10mm</td> </tr> </table>	0	± 0,50mm	0,0	± 0,25mm	0,00	± 0,10mm		43K1A567		
0	± 0,50mm										
0,0	± 0,25mm										
0,00	± 0,10mm										
THIS DRAWING MAY NOT BE COPIED OR REPRODUCED IN ANY WAY, AND MAY NOT BE PASSED ON TO A THIRD PARTY WITHOUT WRITTEN PERMISSION. OWNERSHIP AND COPYRIGHT OF CONEC GmbH			part no: see table								