

6 5 4 3 2 1

E

D

C

B

A

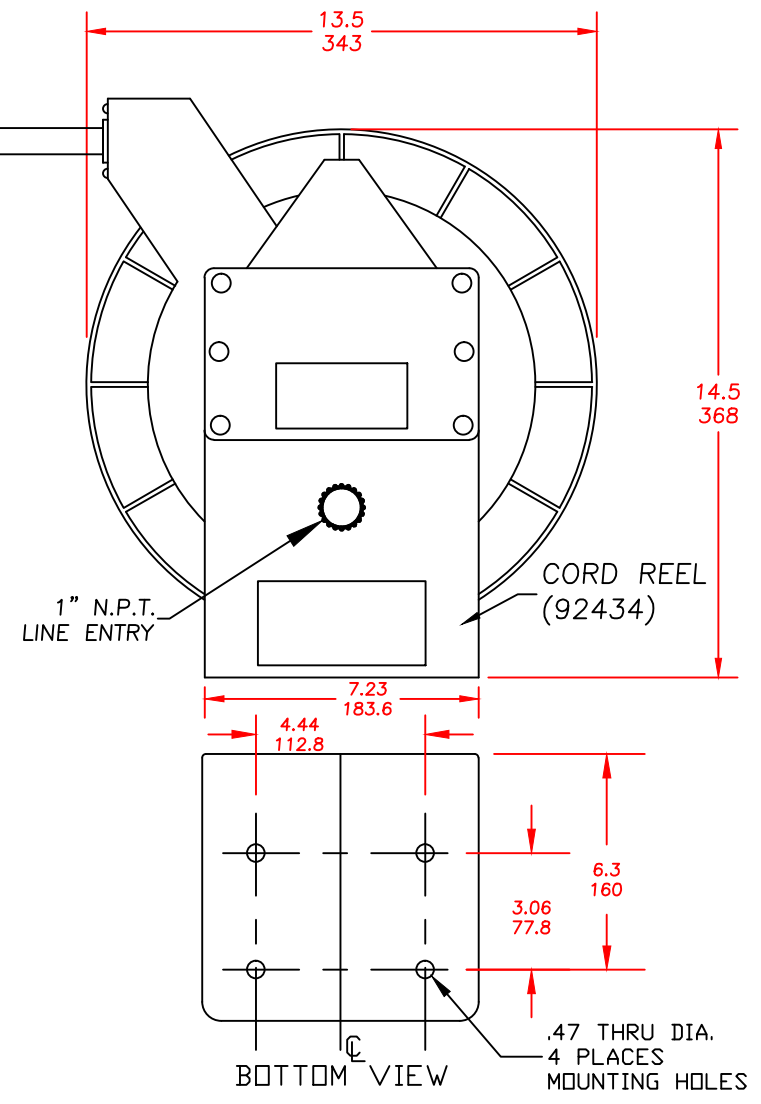
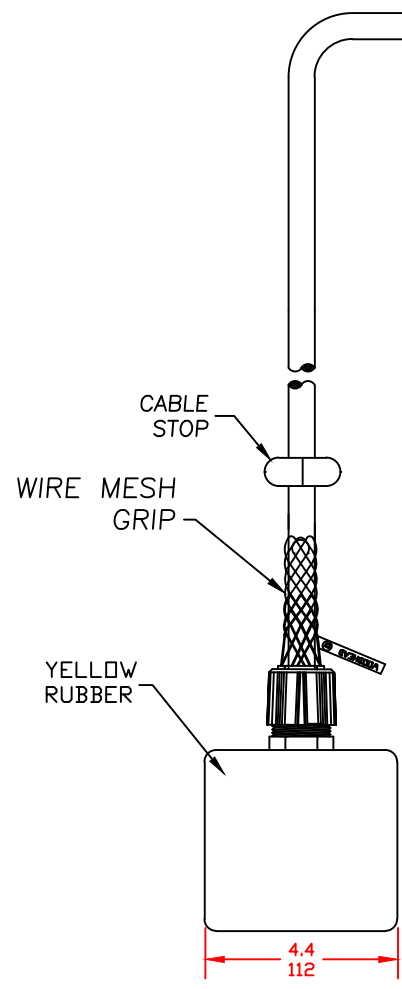
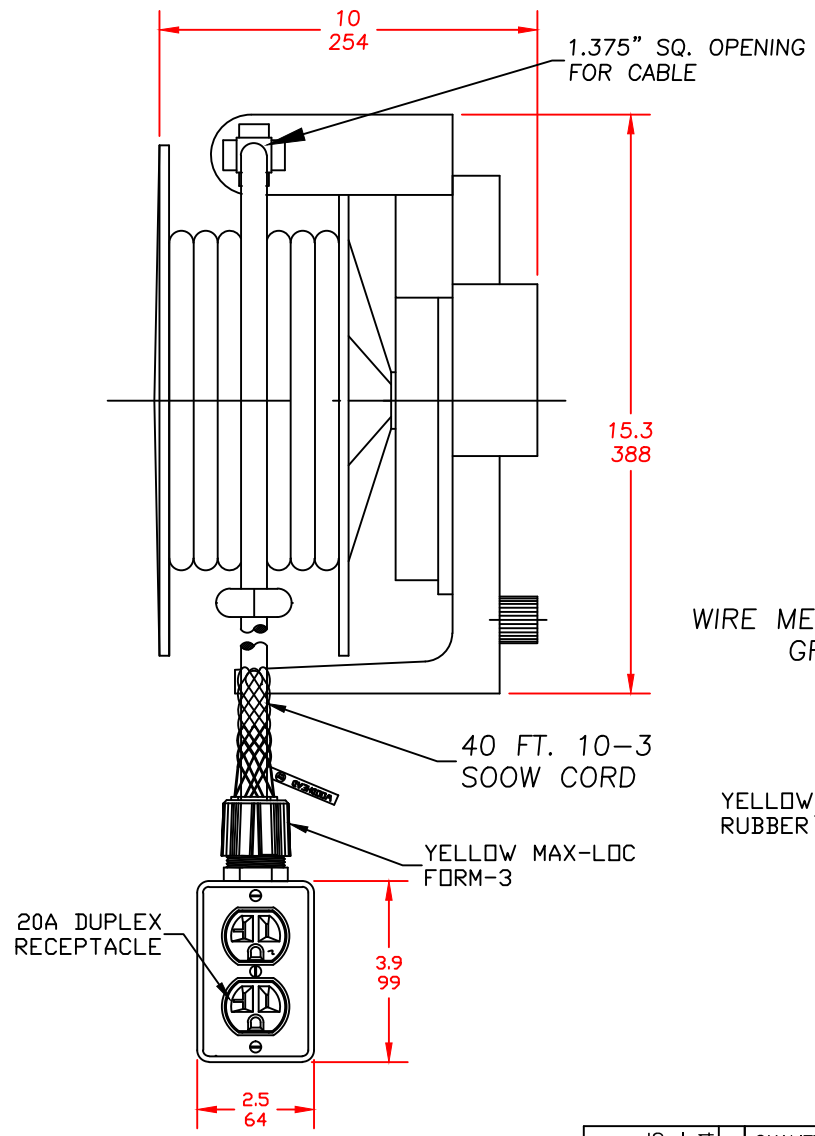
E

D

C

B

A



CUSTOMER APPROVAL EC NO: WNA2012-0184 DRWN: HKNEELAN 2011/10/05 CHKD: HKNEELAN APPR: DTITUS 2011/10/14	QUALITY SYMBOLS $\nabla=0$ $\sphericalangle=0$	GENERAL TOLERANCES (UNLESS SPECIFIED)		DIMENSION STYLE IN/MM	SCALE NTS	DESIGN UNITS INCH	THIRD ANGLE PROJECTION
		4 PLACES \pm --- \pm --- 3 PLACES \pm --- \pm .005 2 PLACES \pm 0.13 \pm .010 1 PLACE \pm 0.25 \pm .020	DRAWN BY HKNEELAN	DATE 2011/10/05	TITLE 92434 CORD REEL 40' 10-3 SOOW CORD W/3085-10 OUTLET BOX		
		ANGULAR \pm 1/2°	CHECKED BY HKNEELAN	DATE 2008/08/06	MOLEX INCORPORATED		
		DRAFT WHERE APPLICABLE MUST REMAIN WITHIN DIMENSIONS	APPROVED BY DTITUS	DATE 2011/10/14	MATERIAL NO. 1300830907	DOCUMENT NO. SD-130083-041	SHEET NO. 1 OF 1
A	REV	THIS DRAWING CONTAINS INFORMATION THAT IS PROPRIETARY TO MOLEX INCORPORATED AND SHOULD NOT BE USED WITHOUT WRITTEN PERMISSION					

6 5 4 3 2 1