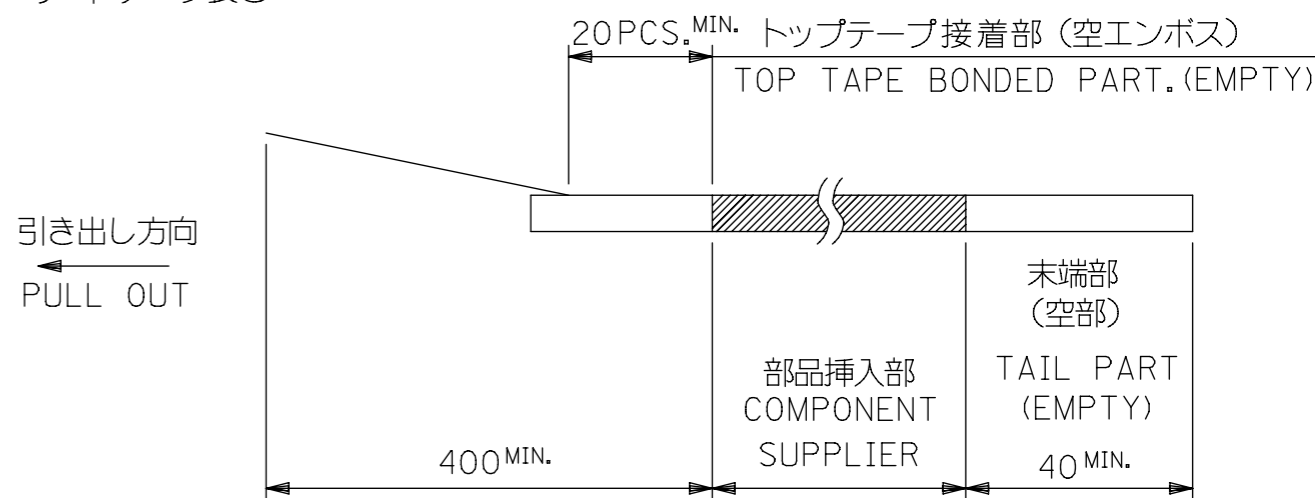


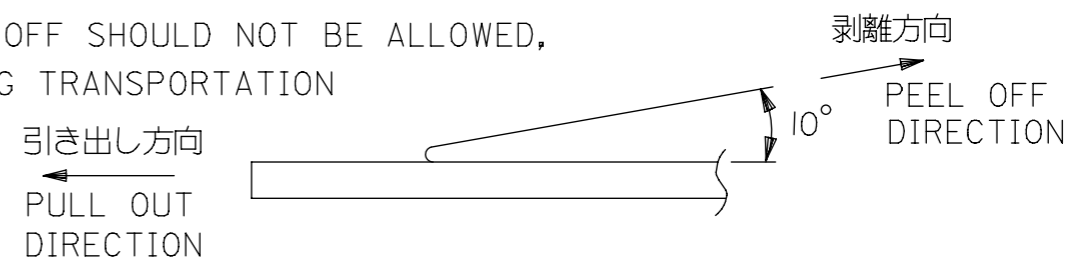
注記 NOTES

- 製品番号 52559-**-19 の梱包状態はアクチュエータがロックした状態とする。
IN THE PACKAGE, ACTUATOR OF PART NO.52559-**-19 SHOULD BE LOCKED
- 梱包数量：1000個/リール
NUMBER OF CONNECTORS:1000PCS/REEL
- リードテープ長さ LEAD TAPE LENGTH



- トップテープの剥離強度：(剥離方向は下図参照)
0.1~1.3N {10gf~130gf} 尚、本規格値は、出荷時に適用。
(但し、輸送時に剥離が発生しない事。)

PEELING OFF FORCE OF TOP TAPE
0.1~1.3N(10gf~130gf)(PEELING DIRECTION AS SHOWN IN FOLLOWING FIG.)
THIS REQUIREMENT SHOULD BE APPLIED AT SHIPMENT
PEEL OFF SHOULD NOT BE ALLOWED,
DURING TRANSPORTATION



- 材料
キャリアテープ：ポリプロピレン (PP)
トップテープ：PET, PE, PEF
リール：ポリスチレン (PS) <リサイクル材を含む>

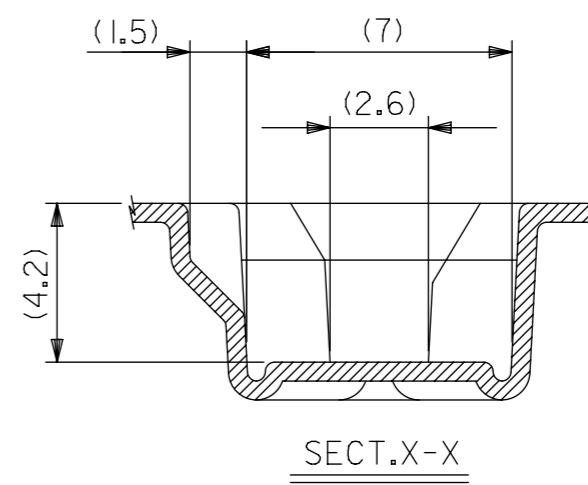
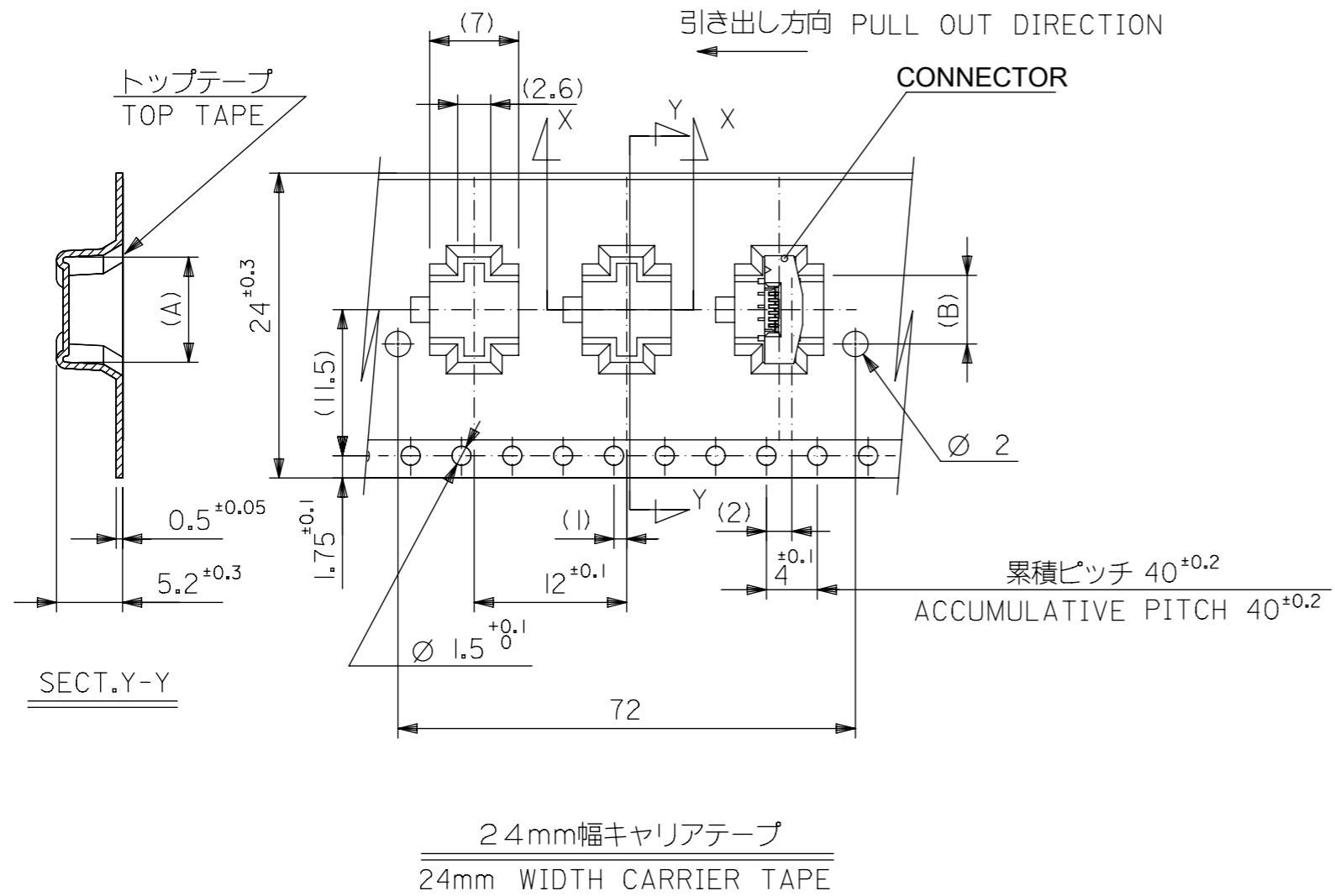
MATERIAL CARRIER TAPE:POLYPROPYLENE
TOP TAPE:PET,PE,PEF
REEL:POLYSTYREN(PS)
<RECYCLE MATERIAL CONTAINED>

- 本製品は 52559-**-92の鉛フリー品である。
THIS PRODUCT IS LEAD FREE OF 52559-**-92

- 本製品は乾燥剤入り、ハイバリア梱包仕様である。
THIS PRODUCT IS HIGH BARRIER PACKAGE WITH DESICCANT.

THIS DRAWING CONTAINS INFORMATION THAT IS PROPRIETARY TO MOLEX ELECTRONIC TECHNOLOGIES, LLC AND SHOULD NOT BE USED WITHOUT WRITTEN PERMISSION		CURRENT REV DESC:		molex	
DIMENSION UNITS	SCALE				
mm	NTS			0.5 FPC CONN ASSY ZIF SMT ST EMBSTP PKG -LEAD FREE-	
GENERAL TOLERANCES (UNLESS SPECIFIED)		GENERAL TOLERANCES (UNLESS SPECIFIED)		PRODUCT CUSTOMER DRAWING	
ANGULAR TOL ± °		ANGULAR TOL ± °		DOCUMENT NUMBER	
4 PLACES ±		4 PLACES ±		SD-52559-028	
3 PLACES ±		3 PLACES ±		DOC TYPE	
2 PLACES ±		2 PLACES ±		PSD	
1 PLACE ±		1 PLACE ±		DOC PART	
0 PLACES ±		0 PLACES ±		001	
DRAFT WHERE APPLICABLE MUST REMAIN WITHIN DIMENSIONS		THIRD ANGLE PROJECTION		REVISION	
		DRAWING		D	
		SERIES			
		52559			
		MATERIAL NUMBER			
		SEE TABLE			
		CUSTOMER			
		GENERAL MARKET			
		SHEET NUMBER			
		1 OF 6			

GENERAL TOLERANCES (UNLESS SPECIFIED)	
10 ^{UNDER}	±0.2
10 ^{OVER} 30 ^{UNDER}	±0.25
30 ^{OVER}	±0.3
ANGULAR	±3°



24	29.4	25.4	14.4	17.3	52559-2472	24		
			13.9	16.8	52559-2372	23		
			12.9	15.8	52559-2172	21		
			12.4	15.3	52559-2072	20		
			10.9	13.8	52559-1772	17		
			10.4	13.3	52559-1672	16		
			9.9	12.8	52559-1572	15		
			9.4	12.3	52559-1472	14		
			8.4	11.3	52559-1272	12		
			7.4	10.3	52559-1072	10		
			6.9	9.8	52559-0972	9		
			5.4	8.3	52559-0672	6		
キャリアテープ幅 CARRIER TAPE WIDTH			D	C	(B)	(A)	MATERIAL NO.	CIRCUIT NO.

24mm幅キャリアテープ
24mm WIDTH CARRIER TAPE

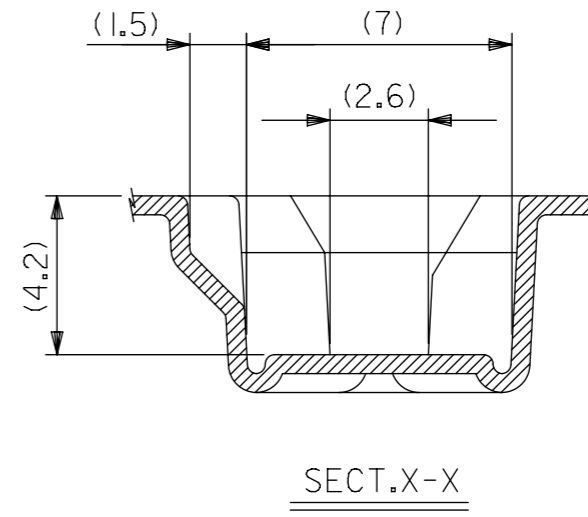
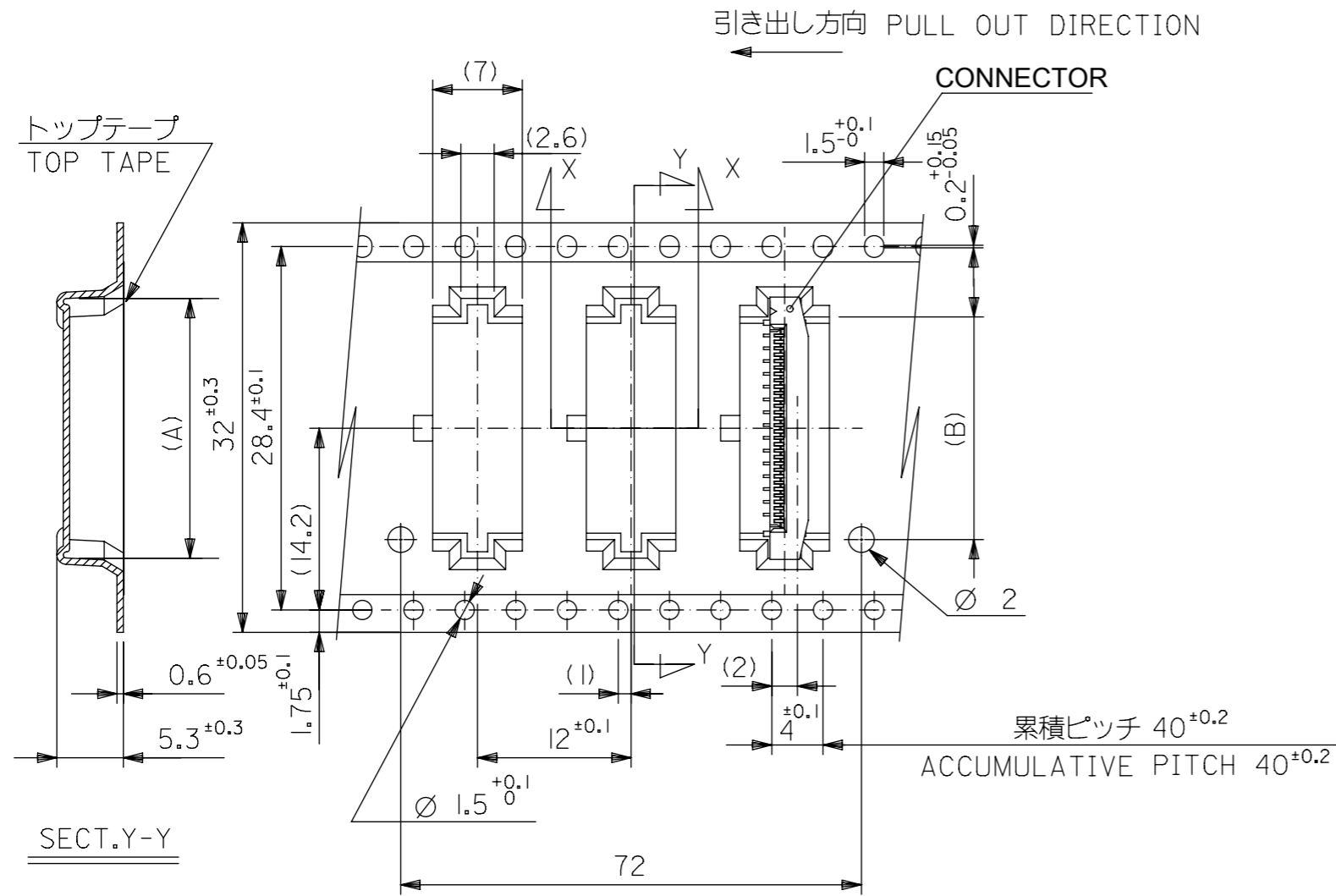
累積ピッチ 40^{±0.2}
ACCUMULATIVE PITCH 40^{±0.2}

THIS DRAWING CONTAINS INFORMATION THAT IS PROPRIETARY TO MOLEX ELECTRONIC TECHNOLOGIES, LLC AND SHOULD NOT BE USED WITHOUT WRITTEN PERMISSION

DIMENSION UNITS	SCALE	CURRENT REV DESC:	
mm	NTS		
GENERAL TOLERANCES (UNLESS SPECIFIED)		molex	
ANGULAR TOL ± °		0.5 FPC CONN ASSY ZIF SMT ST EMBSTP PKG -LEAD FREE-	
4 PLACES ±		PRODUCT CUSTOMER DRAWING	
3 PLACES ±		DOCUMENT NUMBER	
2 PLACES ±		SD-52559-028	
1 PLACE ±		DOC TYPE	
0 PLACES ±		PSD	
DRAFT WHERE APPLICABLE MUST REMAIN WITHIN DIMENSIONS		DOC PART	
THIRD ANGLE PROJECTION		001	
DRAWING		REVISION	
A3-SIZE		D	
SERIES		SHEET NUMBER	
52559		2 OF 6	
MATERIAL NUMBER		CUSTOMER	
SEE TABLE		GENERAL MARKET	

EC NO: 745355
DRWN: RAJMOK 2023/04/05
CHK'D: HSHIMOYAMA 2023/04/07
APPR: HSHIMOYAMA 2023/04/07
INITIAL REVISION:
DRWN: HSHIMABUKURO 2004/01/07
APPR: MSASAO 2004/01/08

GENERAL TOLERANCES (UNLESS SPECIFIED)	
10 ^{UNDER}	±0.2
10 ^{OVER} 30 ^{UNDER}	±0.25
30 ^{OVER}	±0.3
ANGULAR	±3 °



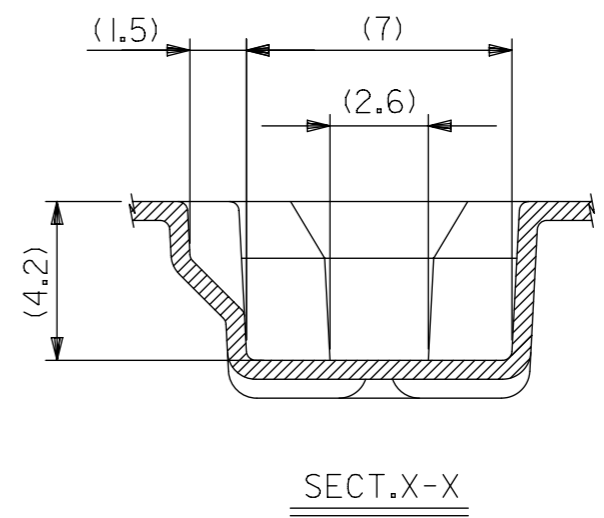
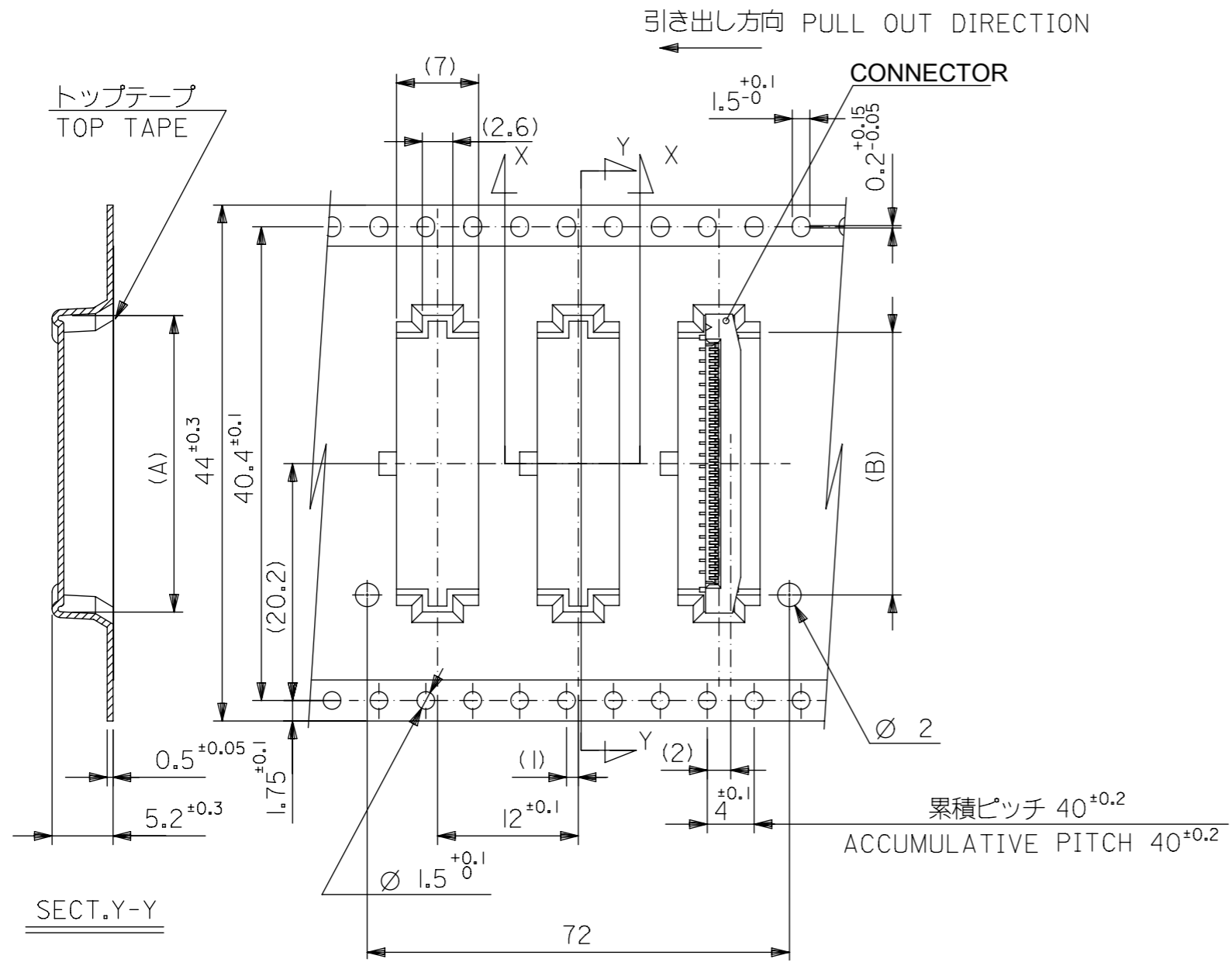
32mm幅キャリアテープ
32mm WIDTH CARRIER TAPE

32	37.4	33.4	18.4	21.3	52559-3272	32	
			17.4	20.3	52559-3072	30	
			16.4	19.3	52559-2872	28	
			15.9	18.8	52559-2772	27	
			15.4	18.3	52559-2672	26	
キャリアテープ幅 CARRIER TAPE WIDTH		D	C	(B)	(A)	MATERIAL NO.	CIRCUIT NO.

THIS DRAWING CONTAINS INFORMATION THAT IS PROPRIETARY TO MOLEX ELECTRONIC TECHNOLOGIES, LLC AND SHOULD NOT BE USED WITHOUT WRITTEN PERMISSION

DIMENSION UNITS: mm		SCALE: NTS		CURRENT REV DESC:			
GENERAL TOLERANCES (UNLESS SPECIFIED)				<p>molex</p> <p>0.5 FPC CONN ASSY ZIF SMT ST EMBSTP PKG - LEAD FREE-</p> <p>PRODUCT CUSTOMER DRAWING</p> <p>DOCUMENT NUMBER: SD-52559-028</p> <p>DOC TYPE: PSD</p> <p>DOC PART: 001</p> <p>REVISION: D</p> <p>SHEET NUMBER: 3 OF 6</p>			
ANGULAR TOL ± °							
4 PLACES ±							
3 PLACES ±							
2 PLACES ±							
1 PLACE ±				EC NO: 745355		2023/04/05	
0 PLACES ±				DRWN: RAJMOK		2023/04/07	
DRAFT WHERE APPLICABLE MUST REMAIN WITHIN DIMENSIONS				CHK'D: HSHIMOYAMA		2023/04/07	
THIRD ANGLE PROJECTION				APPR: HSHIMOYAMA		2023/04/07	
DRAWING: A3-SIZE				INITIAL REVISION:		2004/01/07	
SERIES: 52559				DRWN: HSHIMABUKURO		2004/01/08	
MATERIAL NUMBER: SEE TABLE				APPR: MSASAO		GENERAL MARKET	
CUSTOMER: GENERAL MARKET							

GENERAL TOLERANCES (UNLESS SPECIFIED)	
10 ^{UNDER}	±0.2
10 ^{OVER} 30 ^{UNDER}	±0.25
30 ^{OVER}	±0.3
ANGULAR	±3 °



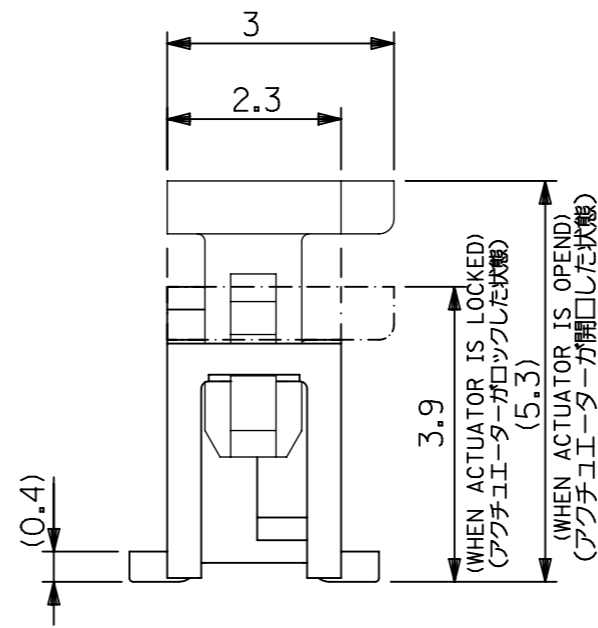
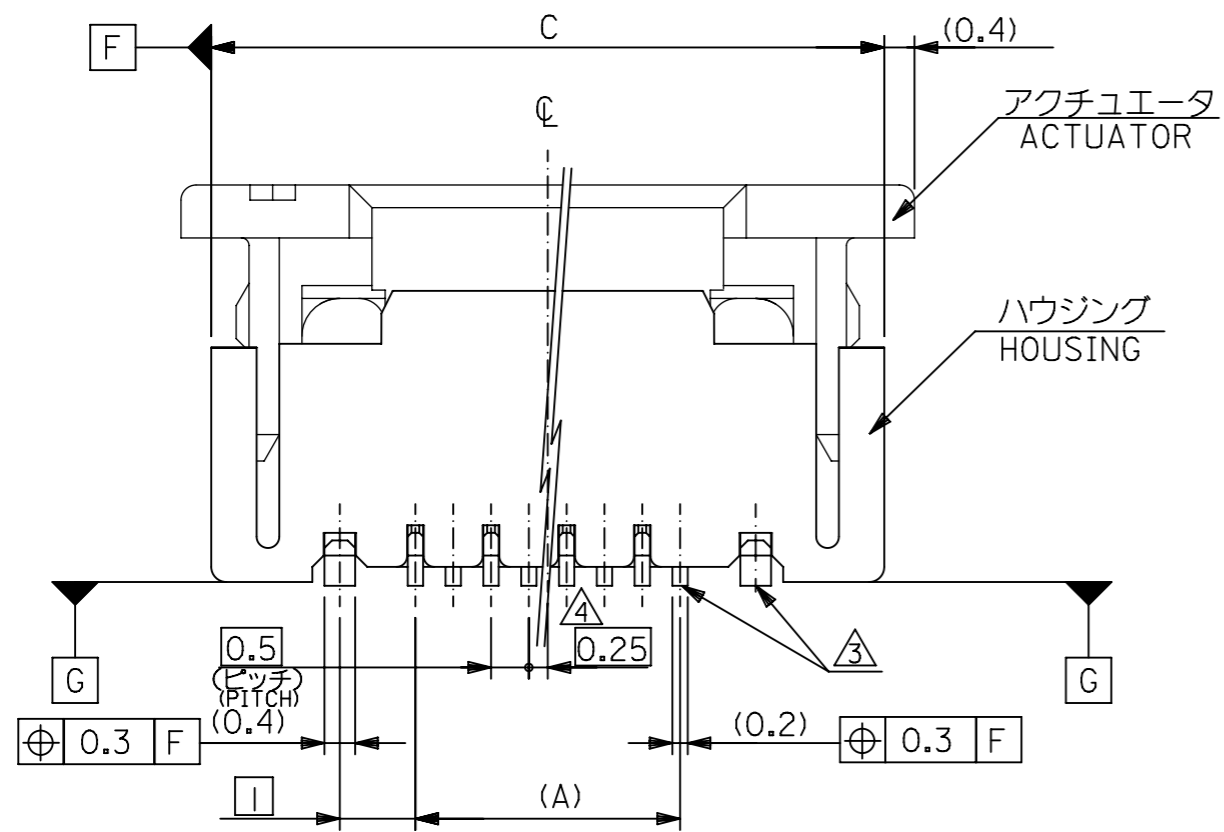
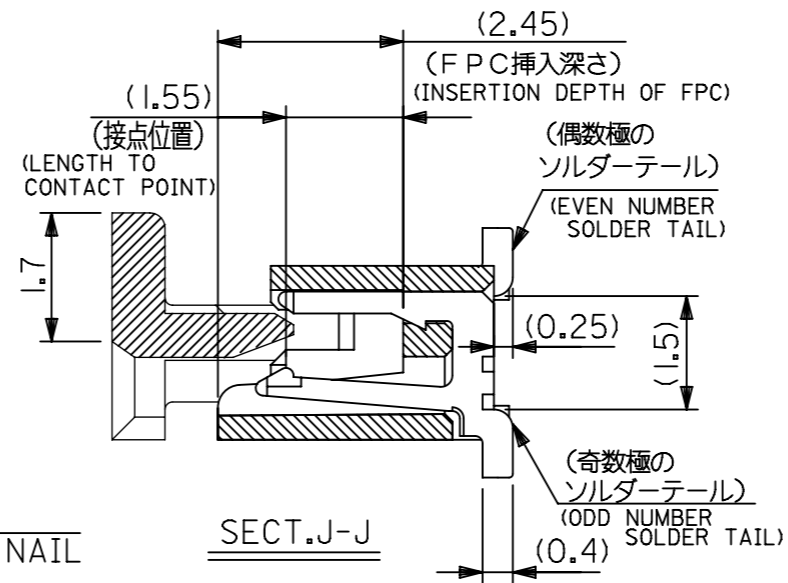
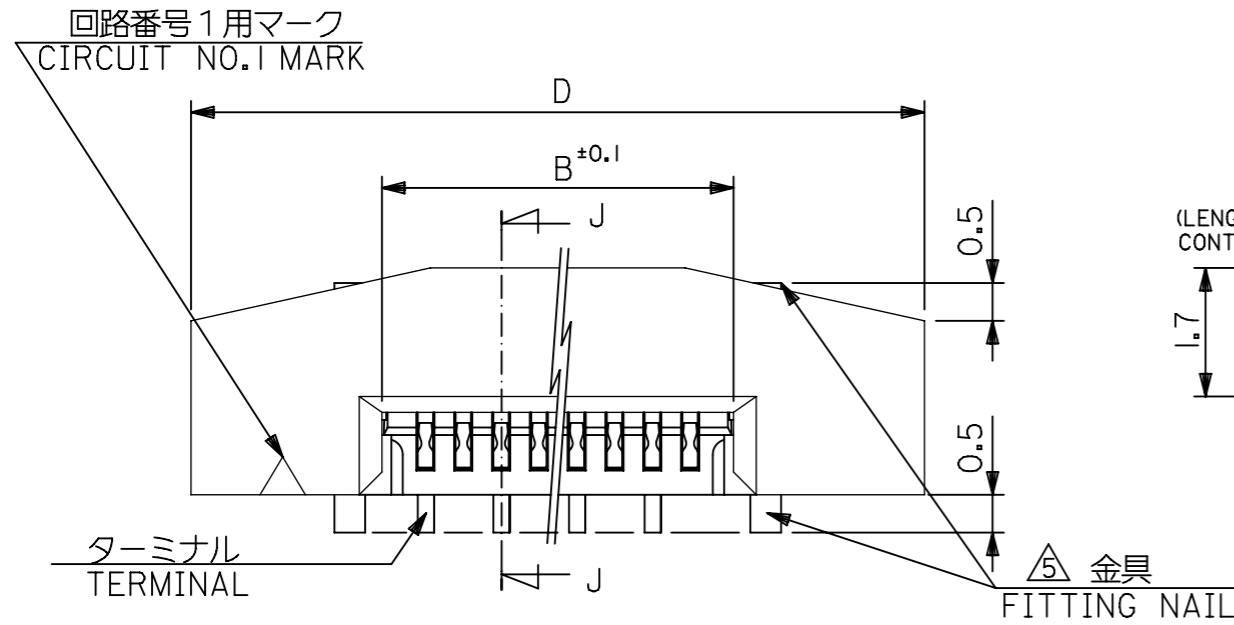
44mm幅キャリアテープ
44mm WIDTH CARRIER TAPE

44	49.4	45.4	22.4	25.3	52559-4072	40
			20.4	23.3	52559-3672	36
キャリアテープ幅 CARRIER TAPE WIDTH	D	C	(B)	(A)	MATERIAL NO.	CIRCUIT NO.

THIS DRAWING CONTAINS INFORMATION THAT IS PROPRIETARY TO MOLEX ELECTRONIC TECHNOLOGIES, LLC AND SHOULD NOT BE USED WITHOUT WRITTEN PERMISSION

DIMENSION UNITS	SCALE	CURRENT REV DESC:		molex		
mm	NTS					
GENERAL TOLERANCES (UNLESS SPECIFIED)		EC NO: 745355		0.5 FPC CONN ASSY ZIF SMT ST EMBSTP PKG -LEAD FREE-		
ANGULAR TOL ± °		DRWN: RAJMOK		PRODUCT CUSTOMER DRAWING		
4 PLACES ±		CHK'D: HSHIMOYAMA		DOCUMENT NUMBER		
3 PLACES ±		APPR: HSHIMOYAMA		SD-52559-028		
2 PLACES ±		INITIAL REVISION:		DOC TYPE		
1 PLACE ±		DRWN: HSHIMABUKURO		PSD		
0 PLACES ±		APPR: MSASAO		DOC PART		
DRAFT WHERE APPLICABLE MUST REMAIN WITHIN DIMENSIONS		THIRD ANGLE PROJECTION		REVISION		
		DRAWING		001		
		SERIES		D		
		MATERIAL NUMBER		SHEET NUMBER		
		CUSTOMER		4 OF 6		
		SEE TABLE				
		GENERAL MARKET				

GENERAL TOLERANCES (UNLESS SPECIFIED)	
10 ^{UNDER}	±0.2
10 ^{OVER} 30 ^{UNDER}	±0.25
30 ^{OVER}	±0.3
ANGULAR	±3 °



25.7	24.9	20.65	19.5	52559-4072	40
23.7	22.9	18.65	17.5	-3672	36
21.7	20.9	16.65	15.5	-3272	32
20.7	19.9	15.65	14.5	-3072	30
19.7	18.9	14.65	13.5	-2872	28
19.2	18.4	14.15	13.0	-2772	27
18.7	17.9	13.65	12.5	-2672	26
17.7	16.9	12.65	11.5	-2472	24
17.2	16.4	12.15	11.0	-2372	23
16.2	15.4	11.15	10.0	-2172	21
15.7	14.9	10.65	9.5	-2072	20
14.2	13.4	9.15	8.0	-1772	17
13.7	12.9	8.65	7.5	-1672	16
13.2	12.4	8.15	7.0	-1572	15
12.7	11.9	7.65	6.5	-1472	14
11.7	10.9	6.65	5.5	-1272	12
10.7	9.9	5.65	4.5	-1072	10
10.2	9.4	5.15	4.0	-0972	9
8.7	7.9	3.65	2.5	52559-0672	6
D	C	B	(A)	MATERIAL NO.	極数 PKT.

THIS DRAWING CONTAINS INFORMATION THAT IS PROPRIETARY TO MOLEX ELECTRONIC TECHNOLOGIES, LLC AND SHOULD NOT BE USED WITHOUT WRITTEN PERMISSION

mm NTS

GENERAL TOLERANCES (UNLESS SPECIFIED)

ANGULAR TOL ± °

4 PLACES ±

3 PLACES ±

2 PLACES ±

1 PLACE ±

1 PLACES ±

DRAFT WHERE APPLICABLE MUST REMAIN WITHIN DIMENSIONS

THIRD ANGLE PROJECTION

DRAWING A3-SIZE

SERIES 52559

MATERIAL NUMBER SEE TABLE

CUSTOMER GENERAL MARKET

SHEET NUMBER 5 OF 6

EC NO: 745355

DRWN: RAJMOK 2023/04/05

CHK'D: HSHIMOYAMA 2023/04/07

APPR: HSHIMOYAMA 2023/04/07

INITIAL REVISION:

DRWN: HSHIMABUKURO 2004/01/07

APPR: MSASAO 2004/01/08

DOCUMENT NUMBER SD-52559-028

DOC TYPE PSD

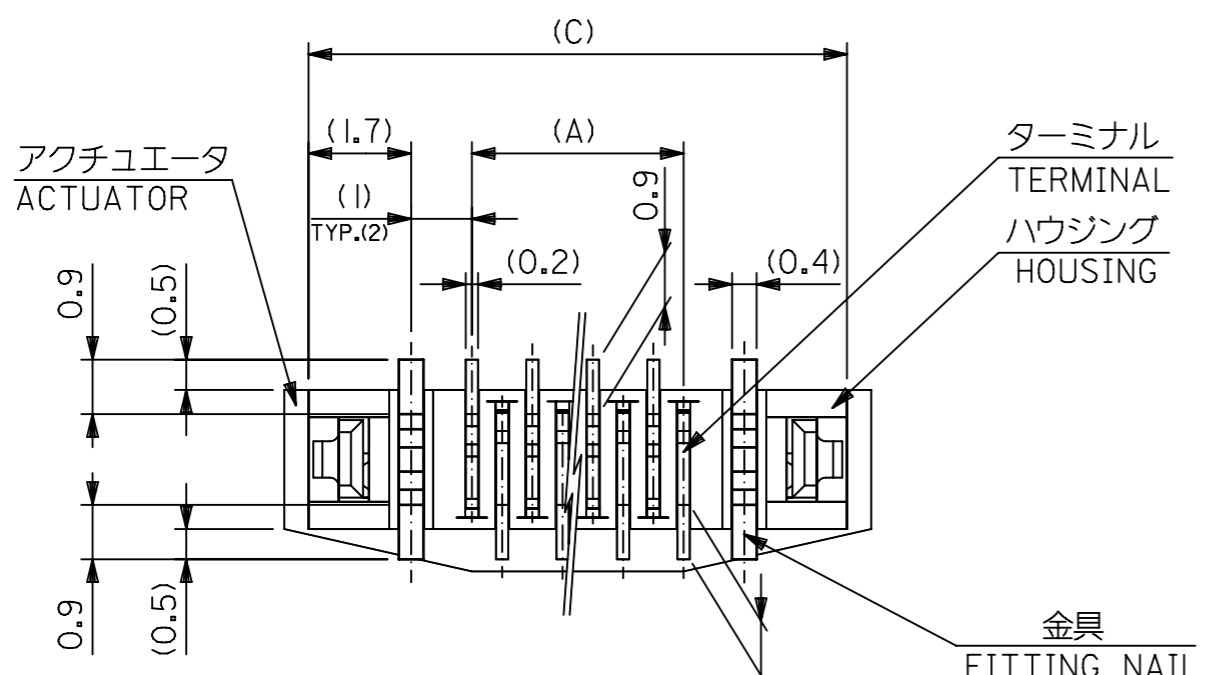
DOC PART 001

REVISION D

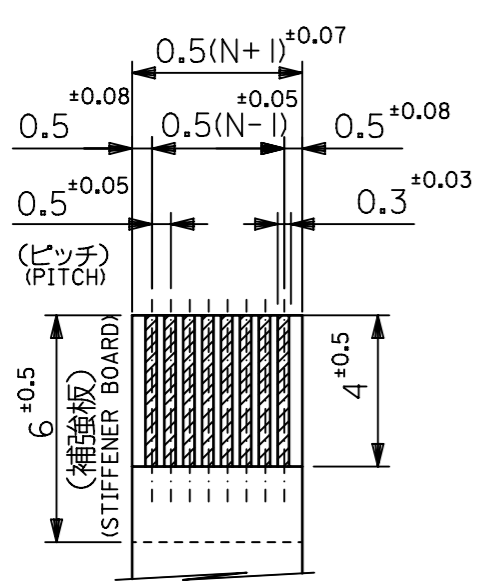
PRODUCT CUSTOMER DRAWING

0.5 FPC CONN ASSY ZIF
SMT ST EMBSTP PKG -LEAD FREE-

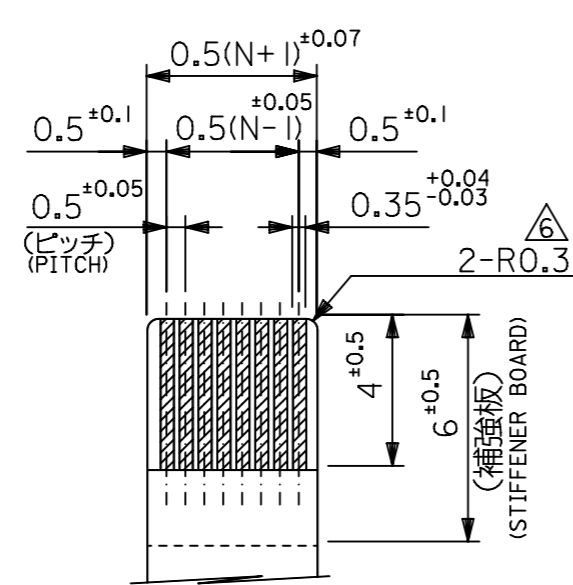
GENERAL TOLERANCES (UNLESS SPECIFIED)	
10 ^{UNDER}	±0.2
10 ^{OVER} 30 ^{UNDER}	±0.25
30 ^{OVER}	±0.3
ANGULAR	±3 °



下面図
BOTTOM VIEW



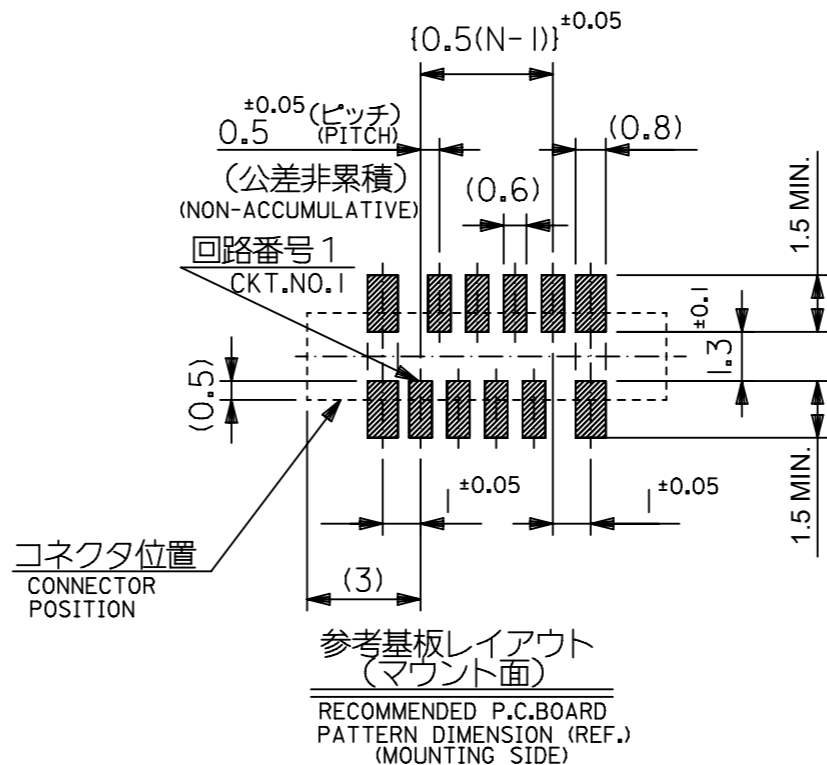
適合 FFC 推奨寸法
APPLICABLE FFC
RECOMMENDED DIMENSION.
(仕上がり厚さ: 0.3 ± 0.05)
(THICKNESS: 0.3 ± 0.05)



適合 FPC 推奨寸法
APPLICABLE FPC
RECOMMENDED DIMENSION.
(仕上がり厚さ: 0.3 ± 0.05)
(THICKNESS: 0.3 ± 0.05)

FPCについて:
打抜き方向は導体側から補強板側を推奨致します。
補強フィルム材質はポリイミドを推奨致します。
接着剤は熱硬化接着剤を推奨致します。

ABOUT FPC:
RECOMMENDED PUNCHER DIRECTION: FROM CONDUCTOR SIDE TO STIFFENER BOARD SIDE.
RECOMMENDED MATERIAL:
STIFFENER FILM: POLYIMIDE
BONDING AGENT: THERMOSETTING BONDING AGENT



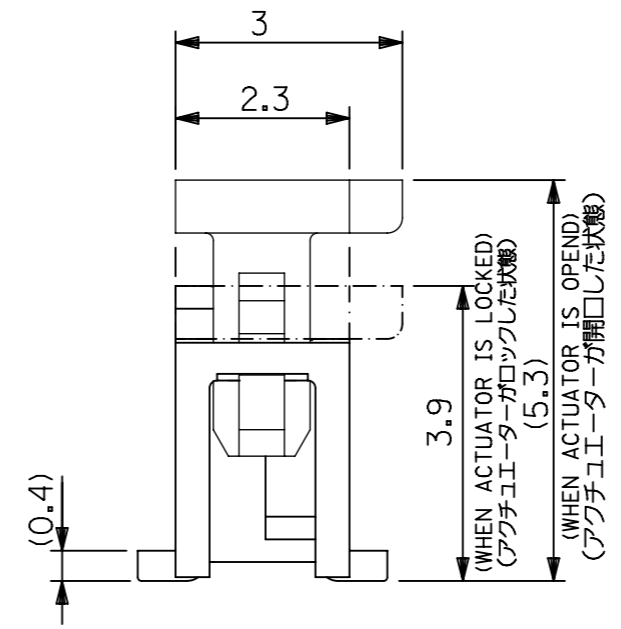
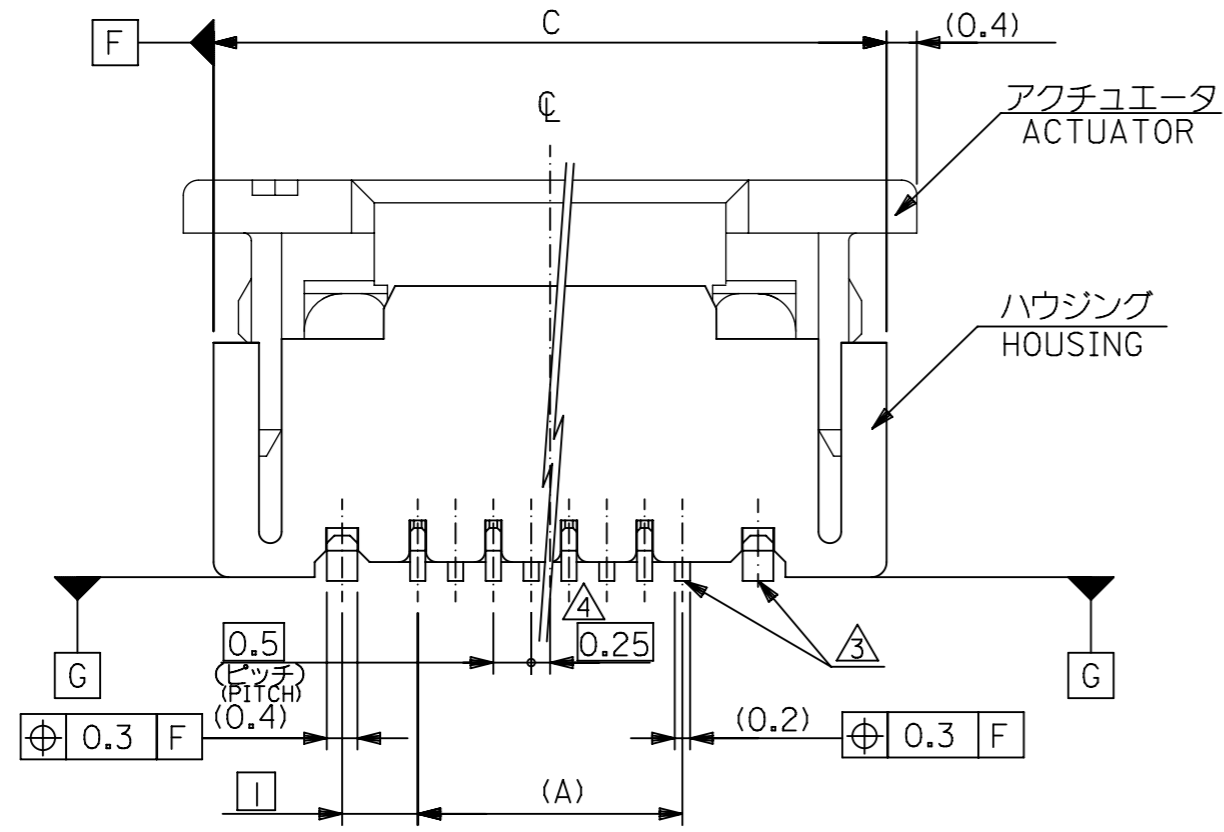
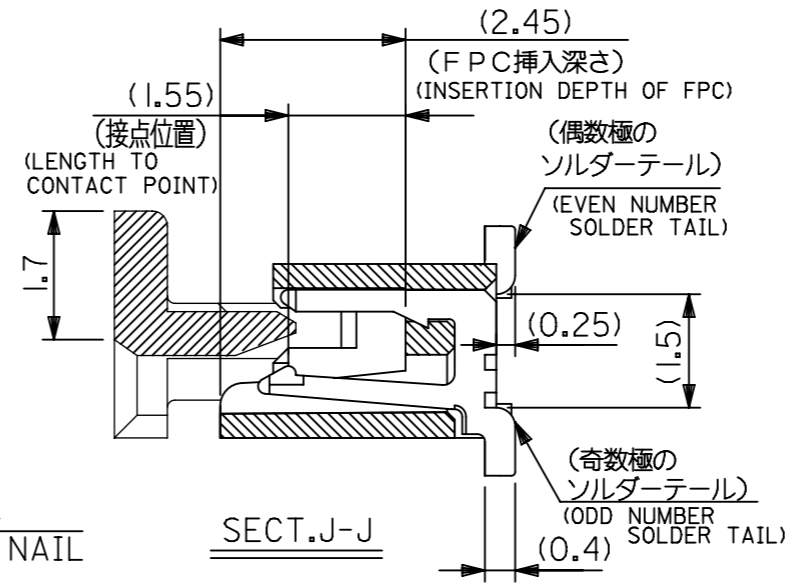
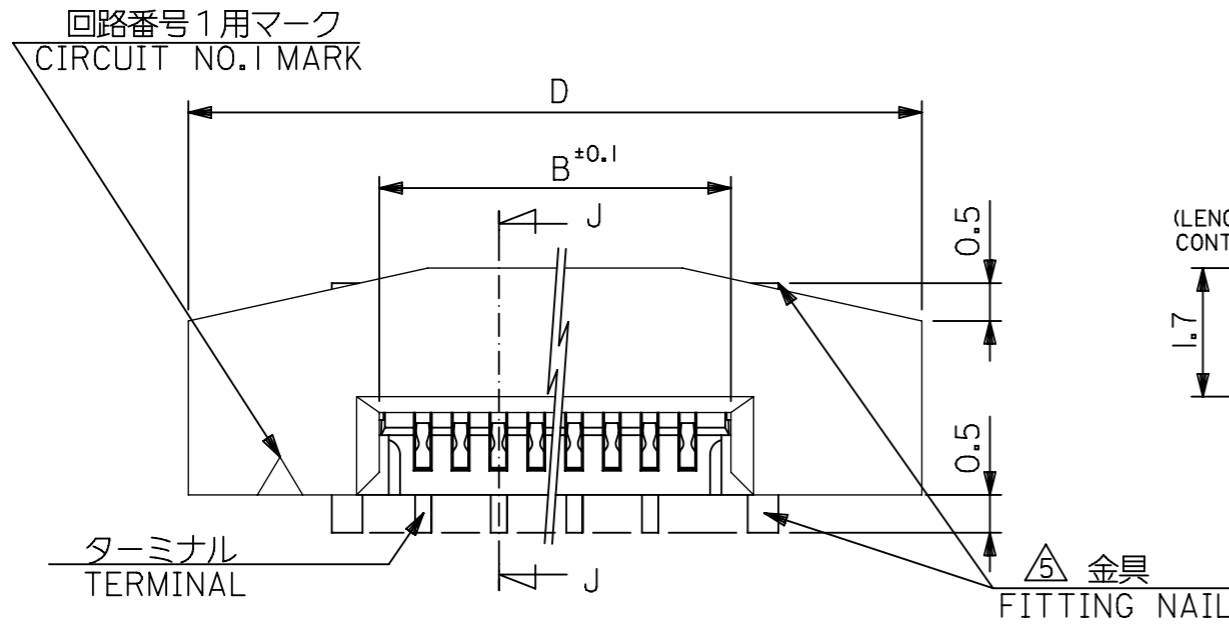
参考基板レイアウト
(マウント面)
RECOMMENDED P.C. BOARD
PATTERN DIMENSION (REF.)
(MOUNTING SIDE)

注記 NOTES

- 使用材料: MATERIAL
ハウジング HOUSING : 46NYLON UL94V-0
アクチュエータ ACTUATOR : PPS UL94V-0
ターミナル TERMINAL : リン青銅 (t=0.2) PHOS-BRO
: 錫ビスマスメッキ 1.0マイクロメートル以上 TIN-BISMUTH 1.0 MICROMETER MINIMUM
: ニッケル下地 1.0マイクロメートル以上 NICKEL (UNDER PLATING) 1.0 MICROMETER MINIMUM
金具 FITTING NAIL : リン青銅 (t=0.4) PHOS-BRO
: 錫メッキ 1.0マイクロメートル以上 TIN 1.0 MICROMETER MINIMUM
: ニッケル下地 1.0マイクロメートル以上 NICKEL (UNDER PLATING) 1.0 MICROMETER MINIMUM
- エンボステープ梱包時は、アクチュエータがロックした状態とする。
IN THE PACKAGE, ACTUATOR OF PART NO.52559-***19 SHOULD BE LOCKED.
- △ ソルダータール半田付け面のスレ量、及び金具半田付け面のスレ量は、基準面 G に対し上方向 0.05 MAX. , 下方向 0.15 MAX. とする。
MISALIGNMENT OF SOLDER TAILS AND FITTING NAILS FROM G
UPPER DIRECTION: 0.05 MAX. , LOWER DIRECTION: 0.15 MAX.
- △ 偶数極に適用。
APPLY FOR EVEN CIRCUIT.
- △ パターンはくり止め用金具。
FITTING NAIL FOR PREVENTION OF PEELING OF P.C.B. PATTERN.
- △ R0.3は、FPCの導体部にかからないこと。
R0.3 MUST NOT BE OVERLAPPED TO PATTERN OF FPC.
- 本製品は 52559-***17 の鉛フリー品である。
THIS PRODUCT IS LEAD FREE OF 52559-***17

THIS DRAWING CONTAINS INFORMATION THAT IS PROPRIETARY TO MOLEX ELECTRONIC TECHNOLOGIES, LLC AND SHOULD NOT BE USED WITHOUT WRITTEN PERMISSION		CURRENT REV DESC:		molex	
DIMENSION UNITS	SCALE				
mm	NTS			0.5 FPC CONN ASSY ZIF SMT ST EMBSTP PKG -LEAD FREE-	
GENERAL TOLERANCES (UNLESS SPECIFIED)		GENERAL TOLERANCES (UNLESS SPECIFIED)		PRODUCT CUSTOMER DRAWING	
ANGULAR TOL ± °		ANGULAR TOL ± °		DOCUMENT NUMBER	
4 PLACES ±		4 PLACES ±		SD-52559-028	
3 PLACES ±		3 PLACES ±		DOC TYPE	
2 PLACES ±		2 PLACES ±		PSD	
1 PLACE ±		1 PLACE ±		DOC PART	
0 PLACES ±		0 PLACES ±		001	
DRAFT WHERE APPLICABLE MUST REMAIN WITHIN DIMENSIONS		THIRD ANGLE PROJECTION		REVISION	
		DRAWING		D	
		SERIES		SHEET NUMBER	
		A3-SIZE		6 OF 6	
		52559		MATERIAL NUMBER	
		SEE TABLE		CUSTOMER	
		GENERAL MARKET			

GENERAL TOLERANCES (UNLESS SPECIFIED)	
10 ^{UNDER}	±0.2
10 ^{OVER} 30 ^{UNDER}	±0.25
30 ^{OVER}	±0.3
ANGULAR	±3°

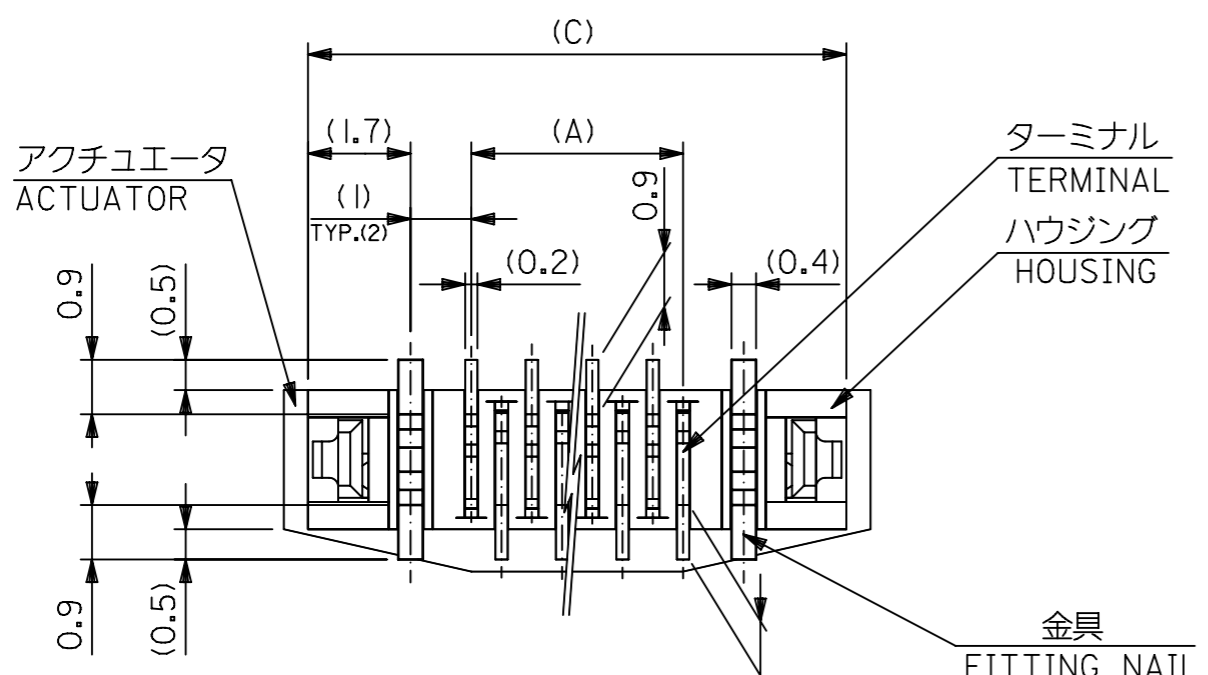


注記 NOTES

- 使用材料 : MATERIAL
 ハウジング : 46NYLON UL94V-0
 アクチュエータ : PPS UL94V-0
 ターミナル : リン青銅 (t=0.2) PHOS-BRO
 : 錫ビスマスメッキ 1.0マイクロメートル以上 TIN-BISMUTH 1.0 MICROMETER MINIMUM
 : ニッケル下地 1.0マイクロメートル以上 NICKEL(UNDER PLATING) 1.0 MICROMETER MINIMUM
 金具 : リン青銅 (t=0.4) PHOS-BRO
 : 錫メッキ 1.0マイクロメートル以上 TIN 1.0 MICROMETER MINIMUM
 : ニッケル下地 1.0マイクロメートル以上 NICKEL(UNDER PLATING) 1.0 MICROMETER MINIMUM
- エンボスステップ梱包時は、アクチュエータがロックした状態とする。
 IN THE PACKAGE, ACTUATOR OF PART NO.52559-***19 SHOULD BE LOCKED.
- △ ソルダータール半田付け面のズレ量、及び金具半田付け面のズレ量は、基準面 G に対し上方向 0.05 MAX. , 下方向 0.15 MAX. とする。
 MISALIGNMENT OF SOLDER TAILS AND FITTING NAILS FROM G UPPER DIRECTION: 0.05 MAX. , LOWER DIRECTION: 0.15 MAX.
- △ 偶数極に適用。
 APPLY FOR EVEN CIRCUIT.
- △ パターンはくり止め用金具。
 FITTING NAIL FOR PREVENTION OF PEELING OF P.C.B. PATTERN.
- △ R0.3は、FPCの導体部にかからないこと。
 R0.3 MUST NOT BE OVERLAPPED TO PATTERN OF FPC.
- 本製品は 52559-***17 の鉛フリー品である。
 THIS PRODUCT IS LEAD FREE OF 52559-***17

THIS DRAWING CONTAINS INFORMATION THAT IS PROPRIETARY TO MOLEX ELECTRONIC TECHNOLOGIES, LLC AND SHOULD NOT BE USED WITHOUT WRITTEN PERMISSION		CURRENT REV DESC:		molex	
DIMENSION UNITS	SCALE				
mm	NTS			0.5 FPC CONN ZIF FOR SMT S/T SHEET 1 OF 2 - LEAD FREE-	
GENERAL TOLERANCES (UNLESS SPECIFIED)		GENERAL TOLERANCES (UNLESS SPECIFIED)		PRODUCT CUSTOMER DRAWING	
ANGULAR TOL	± °	4 PLACES	±	DOCUMENT NUMBER	
3 PLACES	±	3 PLACES	±	SD-52559-045	DOC TYPE
2 PLACES	±	2 PLACES	±	PSD	DOC PART
1 PLACE	±	1 PLACE	±	001	REVISION
0 PLACES	±	0 PLACES	±	B	
DRAFT WHERE APPLICABLE MUST REMAIN WITHIN DIMENSIONS		THIRD ANGLE PROJECTION	DRAWING	SERIES	MATERIAL NUMBER
			A3-SIZE	52559	CUSTOMER
					GENERAL MARKET
					SHEET NUMBER
					1 OF 2

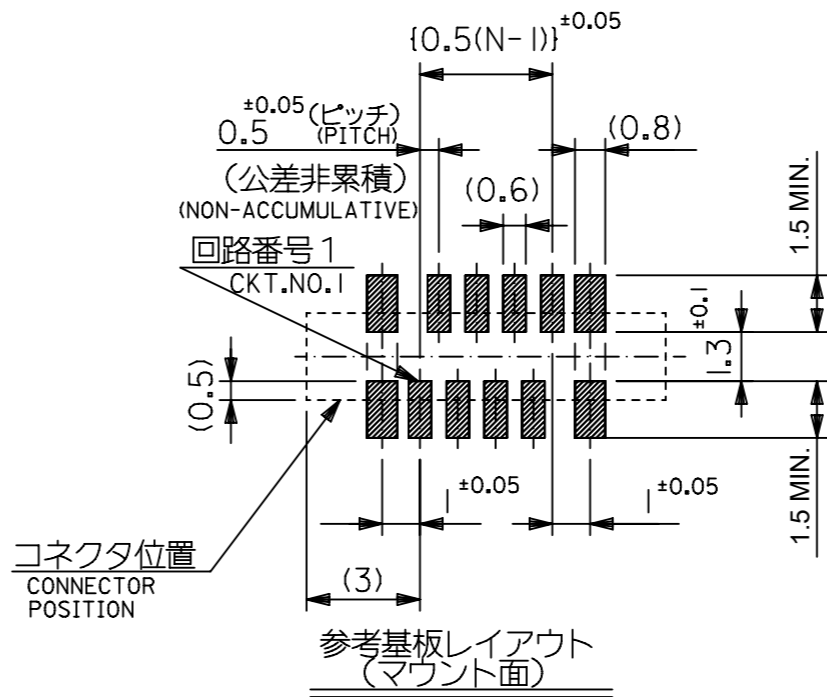
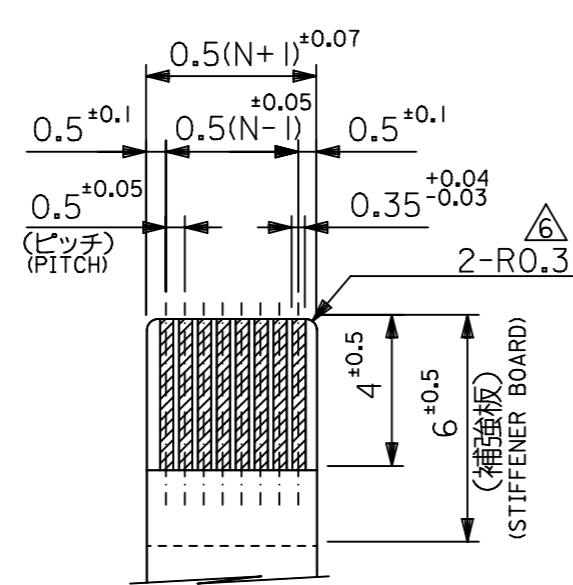
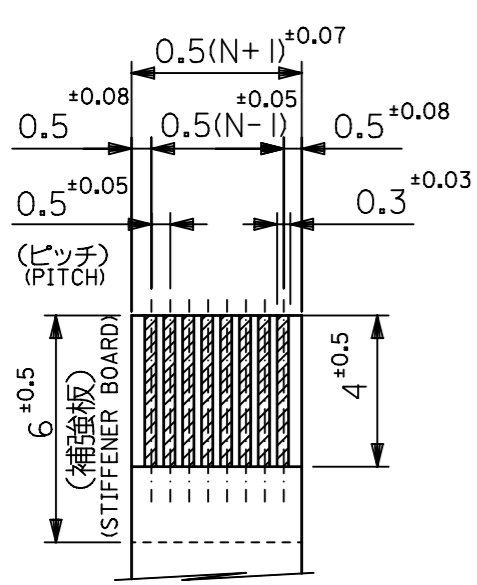
GENERAL TOLERANCES (UNLESS SPECIFIED)	
10 ^{UNDER}	±0.2
10 ^{OVER} 30 ^{UNDER}	±0.25
30 ^{OVER}	±0.3
ANGULAR	±3 °



FPCについて：
 打抜き方向は導体側から補強板側を推奨致します。
 補強フィルム材質はポリイミドを推奨致します。
 接着剤は熱硬化接着剤を推奨致します。

ABOUT FPC :
 RECOMMENDED PUNCHER DIRECTION : FROM CONDUCTOR SIDE TO STIFFENER BOARD SIDE.
 RECOMMENDED MATERIAL :
 STIFFENER FILM : POLYIMIDE
 BONDING AGENT : THERMOSETTING BONDING AGENT

下面図
BOTTOM VIEW



25.7	24.9	20.65	19.5	52559-40	19	40
23.7	22.9	18.65	17.5	-36	19	36
22.2	21.4	17.15	16.0	-33	19	33
21.7	20.9	16.65	15.5	-32	19	32
20.7	19.9	15.65	14.5	-30	19	30
19.7	18.9	14.65	13.5	-28	19	28
19.2	18.4	14.15	13.0	-27	19	27
18.7	17.9	13.65	12.5	-26	19	26
18.2	17.4	13.15	12.0	-25	19	25
17.7	16.9	12.65	11.5	-24	19	24
17.2	16.4	12.15	11.0	-23	19	23
16.7	15.9	11.65	10.5	-22	19	22
16.2	15.4	11.15	10.0	-21	19	21
15.7	14.9	10.65	9.5	-20	19	20
14.7	13.9	9.65	8.5	-18	19	18
14.2	13.4	9.15	8.0	-17	19	17
13.7	12.9	8.65	7.5	-16	19	16
13.2	12.4	8.15	7.0	-15	19	15
12.7	11.9	7.65	6.5	-14	19	14
12.2	11.4	7.15	6.0	-13	19	13
11.7	10.9	6.65	5.5	-12	19	12
10.7	9.9	5.65	4.5	-10	19	10
10.2	9.4	5.15	4.0	-09	19	9
9.7	8.9	4.65	3.5	-08	19	8
8.7	7.9	3.65	2.5	52559-06	19	6
D	C	B	(A)	MATERIAL NO.	極数	極数

THIS DRAWING CONTAINS INFORMATION THAT IS PROPRIETARY TO MOLEX ELECTRONIC TECHNOLOGIES, LLC AND SHOULD NOT BE USED WITHOUT WRITTEN PERMISSION

mm NTS

GENERAL TOLERANCES (UNLESS SPECIFIED)

10 ^{UNDER}	±0.2
10 ^{OVER} 30 ^{UNDER}	±0.25
30 ^{OVER}	±0.3
ANGULAR	±3°

GENERAL TOLERANCES (UNLESS SPECIFIED)

4 PLACES	±
3 PLACES	±
2 PLACES	±
1 PLACE	±
0 PLACES	±

EC NO: 719890
 DRWN: NARENC 2022/08/22
 CHK'D: SMARUYAMA 2022/09/05
 APPR: YNAITO 2022/09/05

INITIAL REVISION:
 DRWN: HSHIMABUKURO 2004/01/07
 APPR: MSASAO 2004/01/08

THIRD ANGLE PROJECTION

DRAWING SERIES MATERIAL NUMBER CUSTOMER SHEET NUMBER

A3-SIZE 52559 SEE CHART GENERAL MARKET 2 OF 2

PRODUCT CUSTOMER DRAWING

DOCUMENT NUMBER SD-52559-045 DOC TYPE PSD DOC PART 001 REVISION B