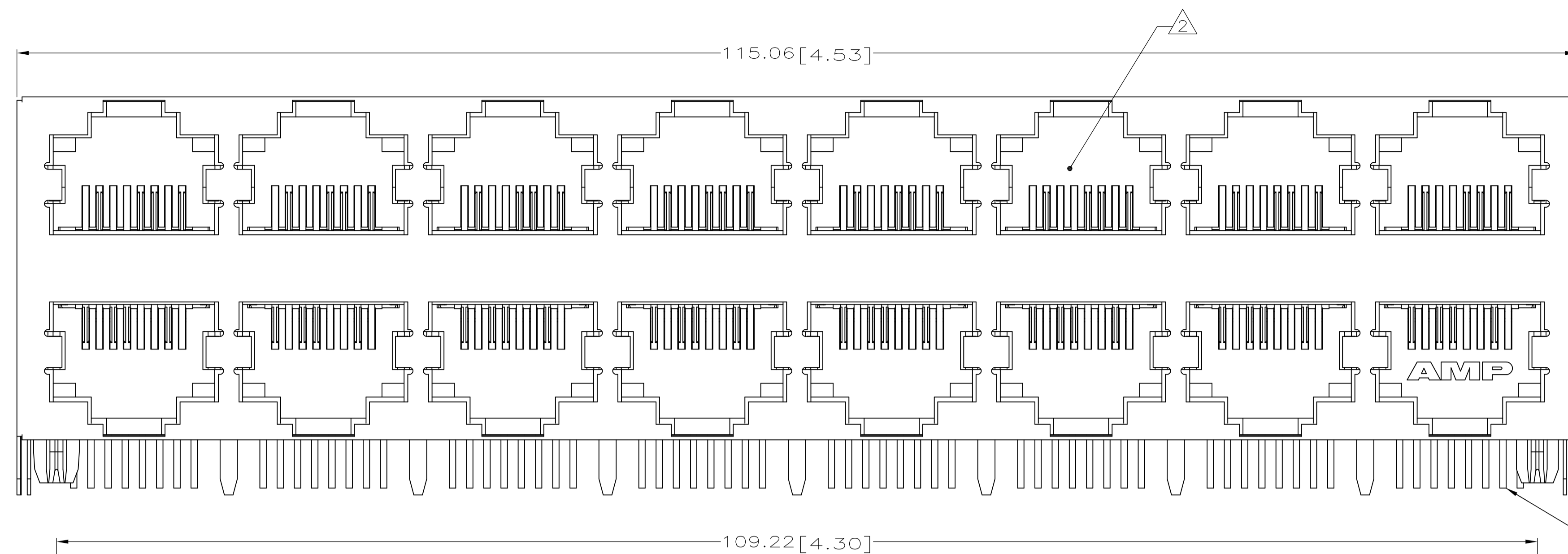
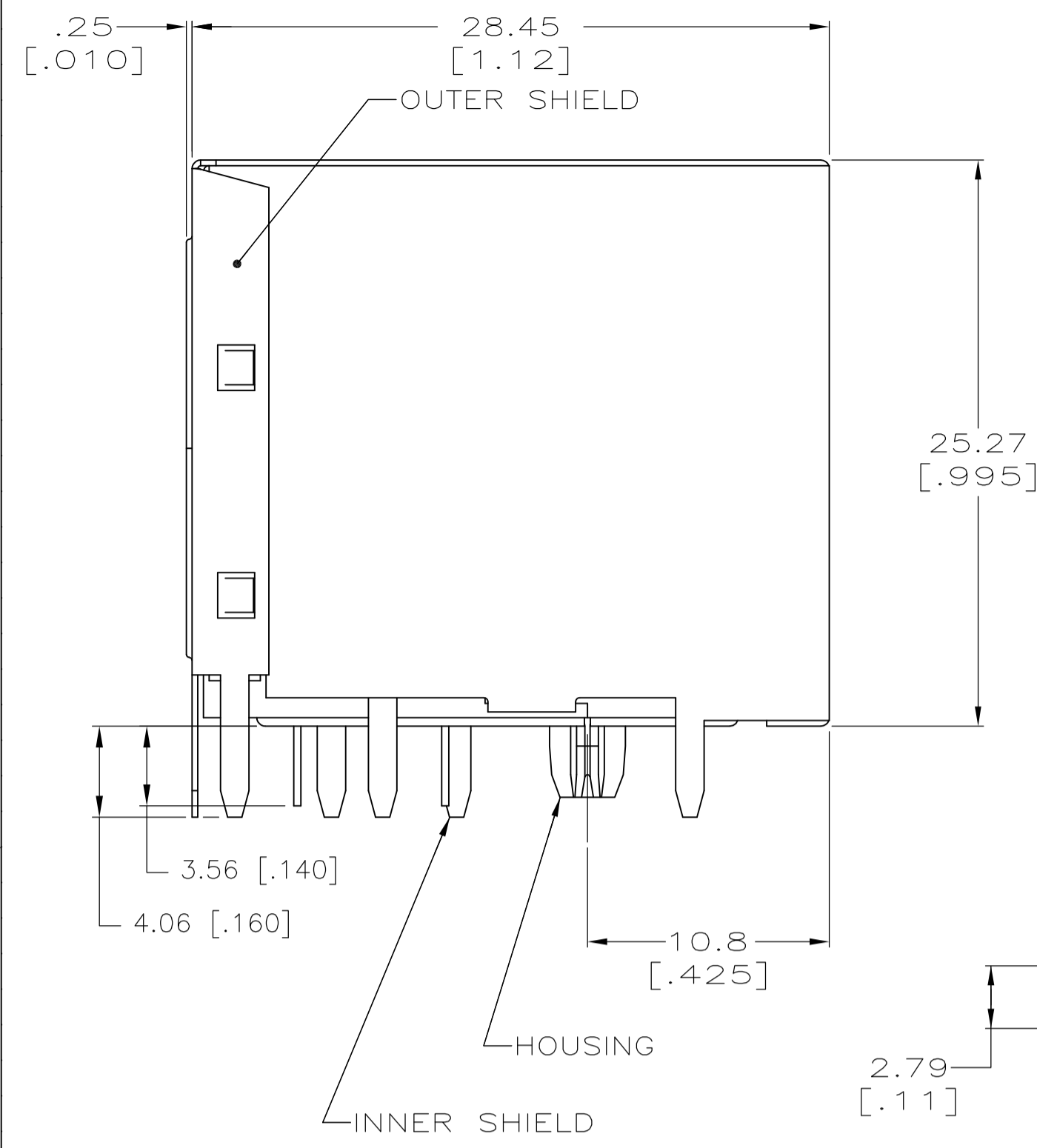


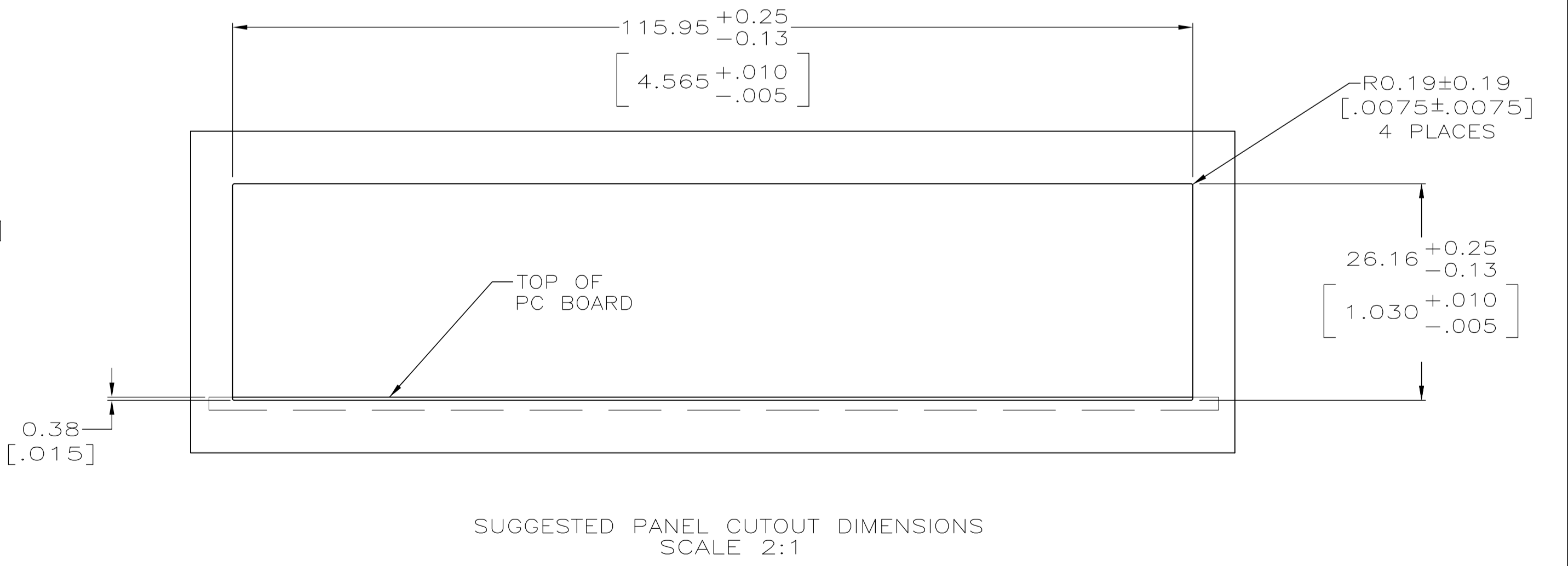
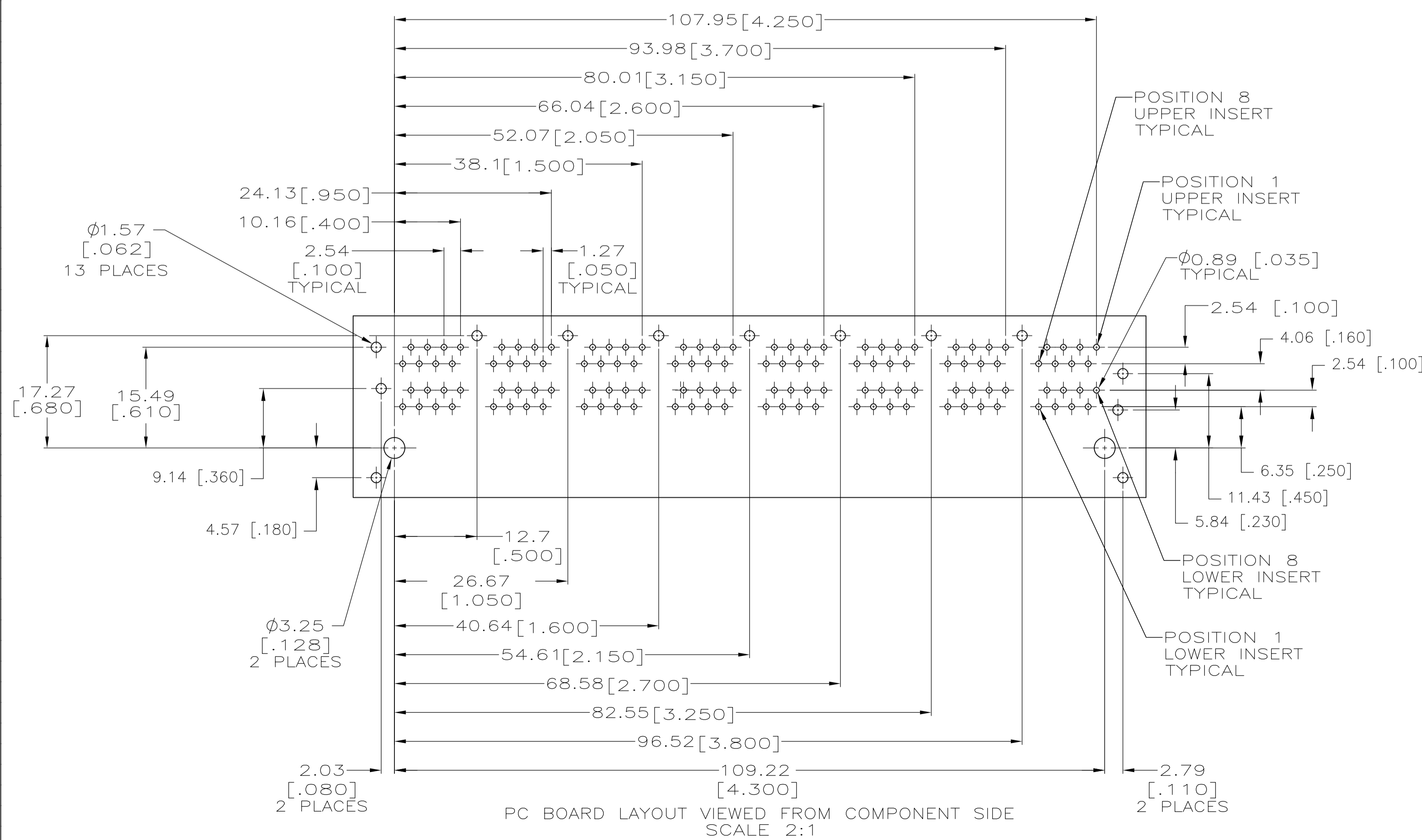
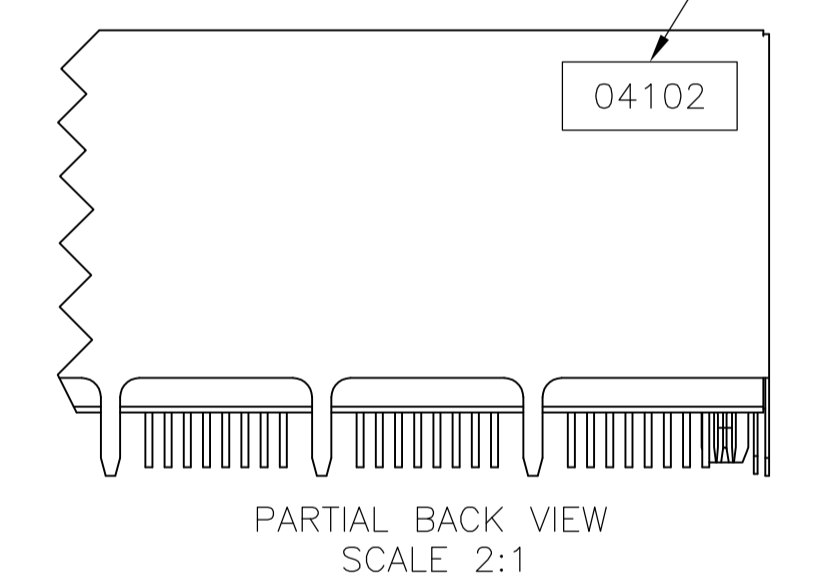
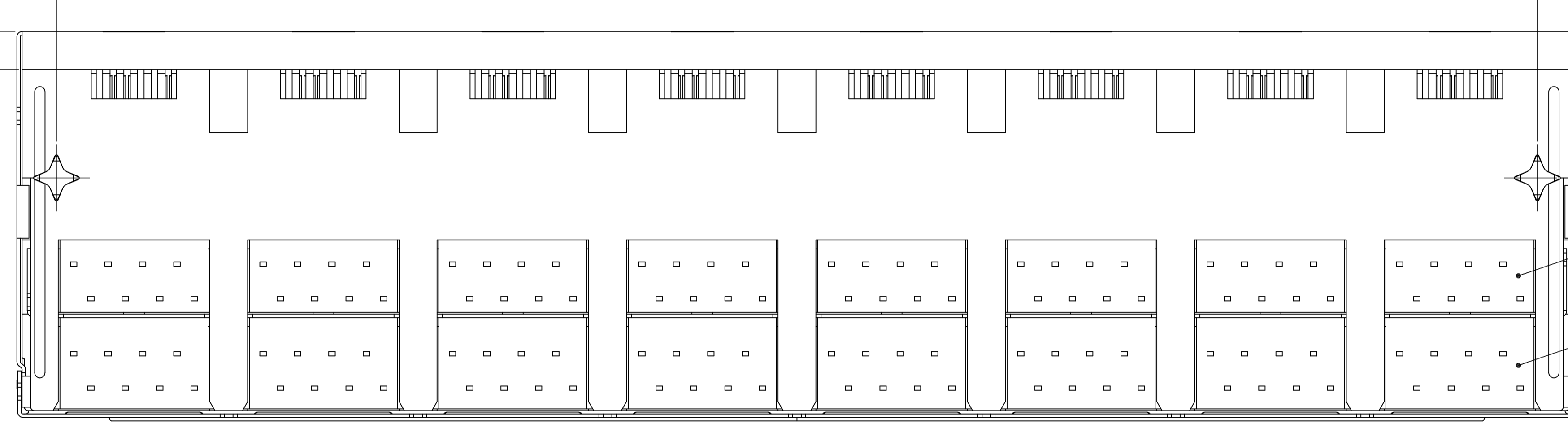
| LOC | DIST | REVISIONS   |                       |         |       |
|-----|------|-------------|-----------------------|---------|-------|
| P   | LTR  | DESCRIPTION | DATE                  | DMN     | APVD  |
| AA  | 22   | A1          | REVISED ECR-08-031628 | 03DEC08 | AZ SY |



**MATERIAL:**  
 HOUSING - PCT POLYESTER, BLACK, UL94V-0.  
 OVERMOLDED TERMINAL ARRAY - PBT, BROWN.  
 TERMINALS - 0.33 [.013] THICK PHOS BRONZE  
 PLATED WITH 1.27um [.000050] MIN THICK  
 HARD GOLD IN LOCALIZED AREA AND 3.81um  
 [.000150] MIN THICK MATTE TIN IN SOLDER  
 AREA OVER 1.27um [.000050] MIN THICK  
 NICKEL UNDERPLATE.  
 SHIELDS - 0.25 [.010] THICK COPPER ALLOY  
 PLATED WITH 1.27 um [.000050] MINIMUM NICKEL  
 AND 2.03 um [.000080] MINIMUM HOT TIN DIP  
 ON PCB GROUND TABS.

**JACK CAVITY CONFORMS TO FCC RULES AND  
 REGULATIONS, PART 68 SUBPART F.**

**DATE CODE LOCATED ON REAR OF PART  
 APPROXIMATELY AS SHOWN:  
 FIRST 2 DIGITS ARE LAST 2 DIGITS OF YEAR,  
 SECOND 2 DIGITS ARE MANUFACTURING  
 WORK WEEK,  
 LAST DIGIT IS DAY OF WEEK, WITH SUNDAY = 1.**



|  |  |                    |               |   |
|--|--|--------------------|---------------|---|
| THIS DRAWING IS A CONTROLLED DOCUMENT. |  | DIN                | 15JUN2005     | Tyco Electronics Corporation<br>Harrisburg, PA 17105-3608   |
| DIMENSIONS: mm [INCHES]                |  | A. FERNANDEZ-DICKS | 15JUN2005     |   |
| TOLERANCES UNLESS OTHERWISE SPECIFIED: |  | CHK                | J. WESTMAN    | NAME<br>S. FLICKINGER   |
| 0 PLC ± -                              |  | APVD               | S. FLICKINGER |   |
| 1 PLC ± -                              |  | PRODUCT SPEC       | 108-1163-2    | STACKED MODULAR JACK ASSEMBLY,<br>2 X 8 PORT, 8 POSITION, SHIELDED,<br>PRINTED CIRCUIT BOARD GROUND, CATEGORY 5 |
| 2 PLC ± 0.25[.01]                      |  | APPLICATION SPEC   | 114-2048      |   |
| 3 PLC ± 0.13[.005]                     |  | SIZE               | A1            | CAGE CODE DRAWING NO<br>00779   |
| 4 PLC ± -                              |  | WEIGHT             | -             |   |
| ANGLES ± ± -                           |  | CUSTOMER DRAWING   | SCALE 4:1     | SHEET 1 OF 1  |
| MATERIAL                               |  | FINISH             | REV           | A1  |

5569259-1  
PART NUMBER