

Type of Screw and Gasket  
see sheet 2, PN KEY

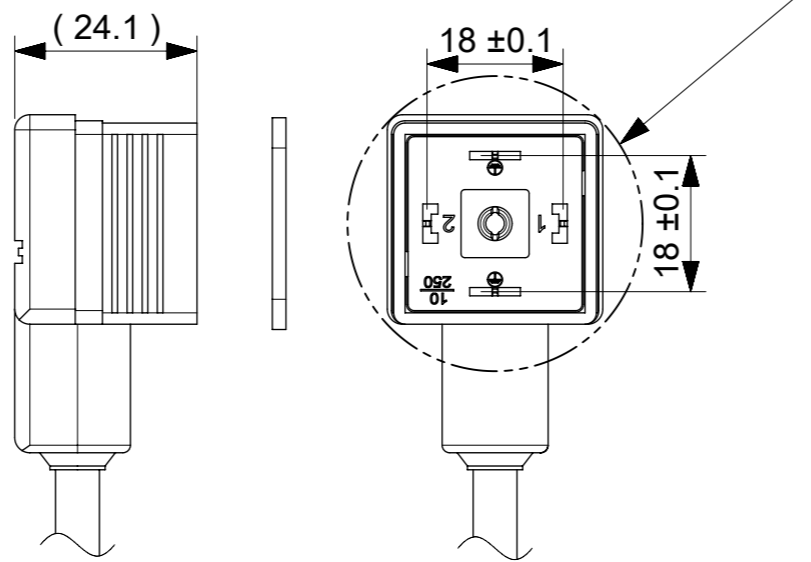
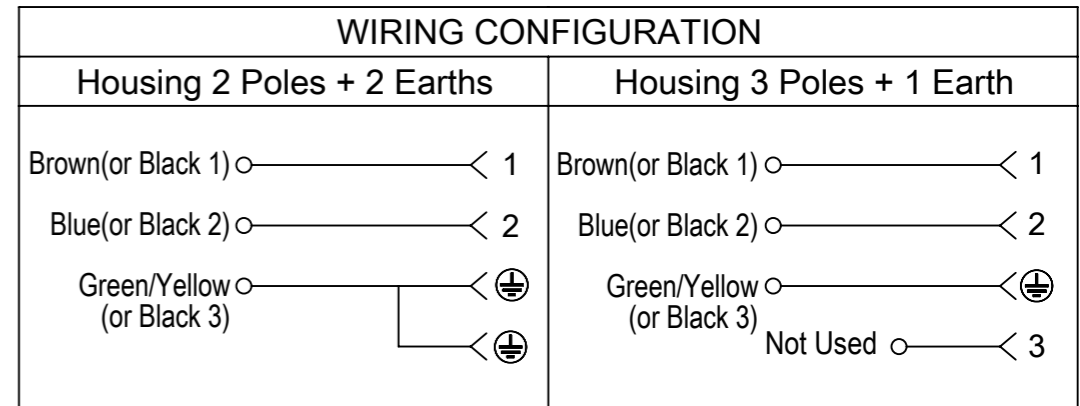
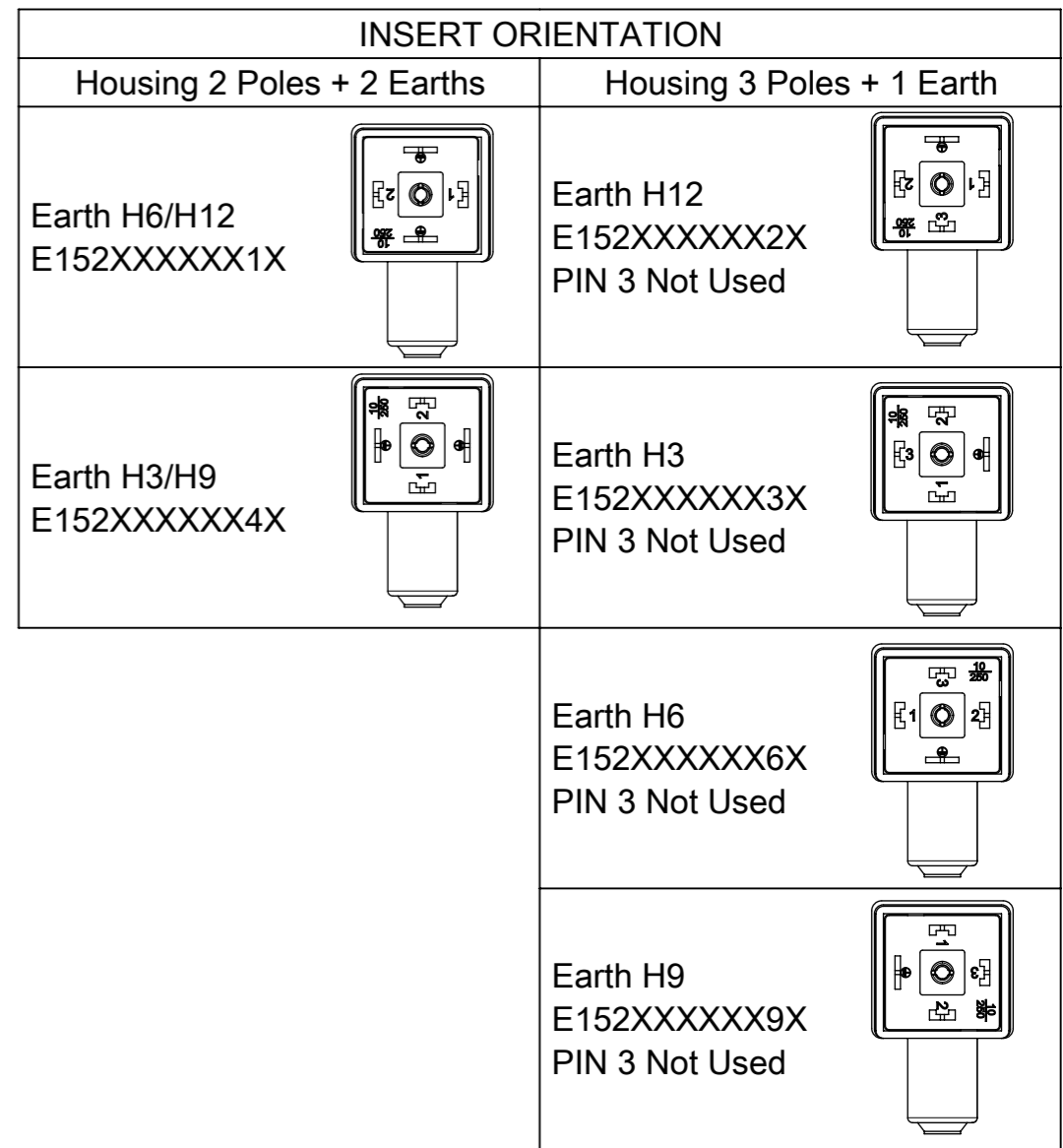
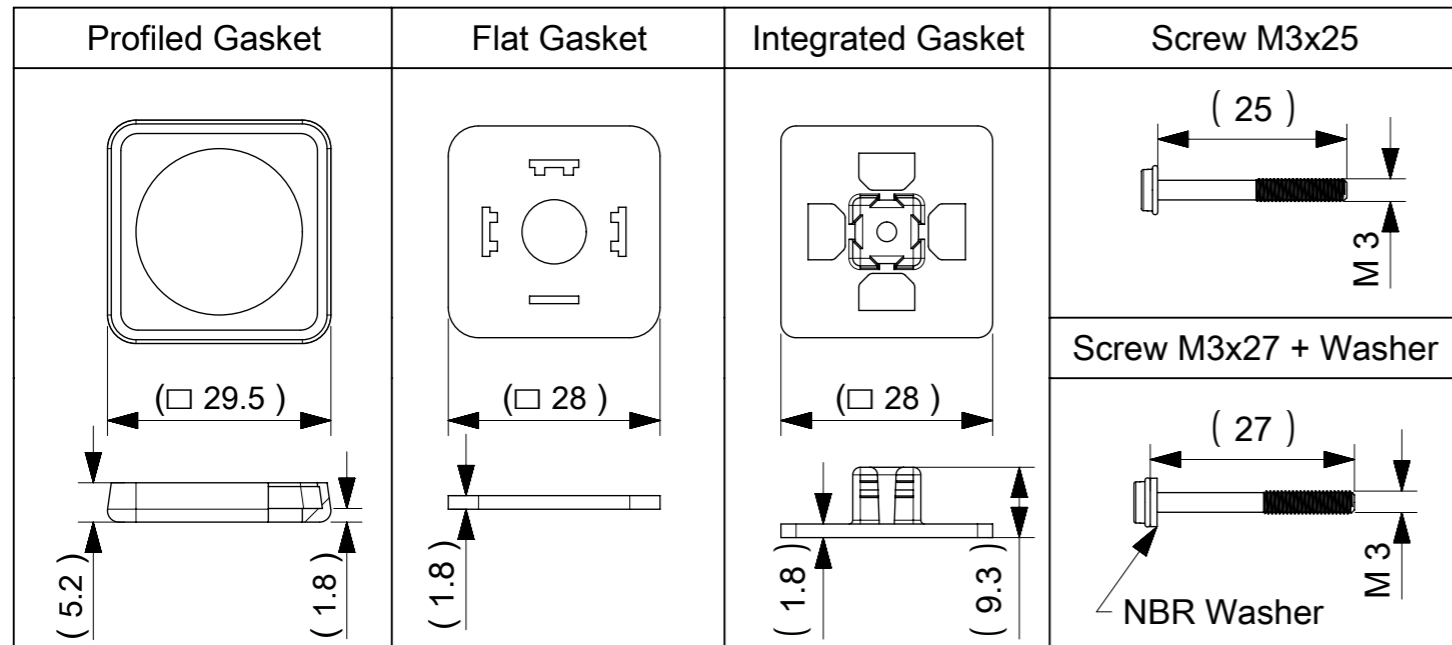


TABLE OF LENGTH TOLERANCES [mm]		
Over	Up to and Including	TOLERANCE
0	1000	±20
1000	3000	±30
3000	5000	±40
5000	10000	±50
10000	15000	±100
15000	20000	±150
20000		±L/100



Type of Screws and Gaskets



THIS DRAWING CONTAINS INFORMATION THAT IS PROPRIETARY TO MOLEX ELECTRONIC TECHNOLOGIES, LLC AND SHOULD NOT BE USED WITHOUT WRITTEN PERMISSION

QUALITY SYMBOLS	EC NO: 113606	DRWN: APAWLAK01	CHK'D: MIWASIECZKO	APPR: MIWASIECZKO	DATE: 2017/02/20	DATE: 2017/02/20	GENERAL TOLERANCES (UNLESS SPECIFIED)	DIMENSION UNITS: MM	SCALE: 1:1			
▽ = 0							ANGULAR TOL ± °	DRWN BY: APAWLAK01	DATE: 2017/02/07		STANDARD E152 DIN FORM A EN 175301-803  PRODUCT CUSTOMER DRAWING	
▽ = 0							4 PLACES ±	CHK'D BY:	DATE:			SERIES: 121040 MATERIAL NUMBER: SEE 1210400050 PDP CUSTOMER: GENERAL MARKET
▽ = 0							3 PLACES ±	APPR BY: MIWASIECZKO	DATE: 2017/02/20			
▽ = 0							2 PLACES ±	DRAWING SIZE: A3	THIRD ANGLE PROJECTION			
▽ = 0							1 PLACE ±	DRAFT WHERE APPLICABLE MUST REMAIN WITHIN DIMENSIONS				
▽ = 0							0 PLACES ±					

PN KEY - NUMERICAL CODE (Available parts see PART LIST table. Others parts available upon request).

**E 1 5 2 X X X X X X X X**

E - Packing without bags  
W - Single Packing

Number of wires:  
2 - 2 Wires + Earth

Cable type:  
See Table

Head Colour:  
G - Grey  
N - Black  
A - CSA-UL Black  
B - CSA-UL Grey

Cable Length in [cm]  
Examples:  
050 = 50cm  
300 = 300cm  
10K = 1000cm

Earth PIN location (see insert orientation table):  
1 = Double Earth on H6 & H12  
2 = Earth on H12  
3 = Earth on H3  
4 = Double Earth on H3 & H9  
6 = Earth on H6  
9 = Earth on H9

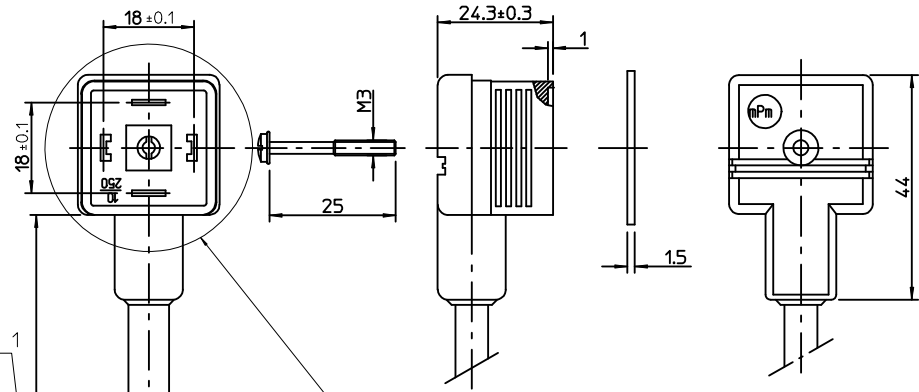
Type of Gasket and Screw (see sheet 1):  
1 = NBR Profile Gasket + Fixing Screw M3x25mm  
2 = NBR Flat Gasket + Fixing Screw M3x25mm  
3 = Silicone Profile Gasket + Fixing Screw M3x25mm  
4 = Silicone Flat Gasket + Fixing Screw M3x25mm  
P = NBR Integrated Gasket + Fixing Screw with Washer M3x27mm Assembled on Connector  
R = NBR Integrated Gasket + Fixing Screw with Washer M3x27mm NOT Assembled on Connector  
T = NBR Profile Gasket + Fixing Screw with Washer M3x27mm

CABLE TYPE	NO. OF WIRES	CROSS SECTION	CABLE O.D.	CABLE JACKET	UL	CSA	STATIC: TEMP. / BENDING RADIUS	DYNAMIC: TEMP. / BENDING RADIUS	SHIELD
A2	3	AWG 20	5.6mm±0.2	PVC BLACK	UL 2661	CSA C22.2	-30°C to +105°C, 10xO.D.	-5°C to +105°C, 15xO.D.	-
A3	3	AWG 18	6.5mm±0.25	PVC BLACK	UL 2661	CSA C22.2	-30°C to +105°C, 10xO.D.	-5°C to +105°C, 15xO.D.	-
B2	3	AWG 20	5.6mm±0.2	PUR BLACK	UL 20668	CSA C22.2	-40°C to +90°C, 5xO.D.	-25°C to +90°C, 10xO.D.	-
B3	3	AWG 18	6.5mm±0.2	PUR BLACK	UL 20668	CSA C22.2	-40°C to +90°C, 5xO.D.	-25°C to +90°C, 10xO.D.	-
I0	3	1mm <sup>2</sup>	7.6mm±0.2	PVC GREY	-	-	-25°C to +70°C, 10xO.D.	-5°C to +70°C, 15xO.D.	YES
I2	3	0.5mm <sup>2</sup>	5.5mm+0.3	PVC GREY	-	-	-25°C to +70°C, 10xO.D.	-5°C to +70°C, 15xO.D.	-
I4	3	1mm <sup>2</sup>	7.1mm+0.2	PVC GREY	-	-	-25°C to +70°C, 10xO.D.	-5°C to +70°C, 15xO.D.	-
N2	3	0.5mm <sup>2</sup>	5.6mm±0.7	PVC BLACK	-	-	-20°C to +70°C, 3xO.D.	-15°C to +70°C, 5xO.D.	-
N3	3	0.75mm <sup>2</sup>	6.8mm±0.8	PVC BLACK	-	-	-20°C to +70°C, 3xO.D.	-15°C to +70°C, 5xO.D.	-
N4	3	1mm <sup>2</sup>	7.15mm±0.85	PVC BLACK	-	-	-20°C to +70°C, 3xO.D.	-15°C to +70°C, 5xO.D.	-
N5	3	1.5mm <sup>2</sup>	8.4mm±1	PVC BLACK	-	-	-20°C to +70°C, 3xO.D.	-15°C to +70°C, 5xO.D.	-
P2	3	0.5mm <sup>2</sup>	5.5mm+0.3	PUR BLACK	-	-	-40°C to +90°C, 7.5xO.D.	-15°C to +90°C, 12.5xO.D.	-
P3	3	0.75mm <sup>2</sup>	6.5mm±0.2	PUR BLACK	-	-	-40°C to +90°C, 7.5xO.D.	-15°C to +90°C, 12.5xO.D.	-
R4	3	1mm <sup>2</sup>	7.1mm±0.2	TPR HF BLACK	-	-	-	-	-
Y3	3	0.75mm <sup>2</sup>	6.5mm±0.2	SILICONE RED	-	-	-60°C to +180°C, 15xO.D.	-	-

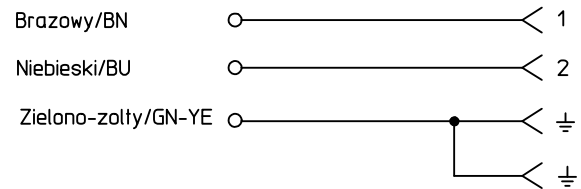
Notes:  
1. Please see excel sheet 1210400050\_PDP for currently configured part numbers.

<b>QUALITY SYMBOLS</b> 	THIS DRAWING CONTAINS INFORMATION THAT IS PROPRIETARY TO MOLEX ELECTRONIC TECHNOLOGIES, LLC AND SHOULD NOT BE USED WITHOUT WRITTEN PERMISSION												
	EC NO: 113606 DRWN: APAWLAK01 CHK'D: APPR: MIWASIECZKO	2017/02/07 2017/02/20	GENERAL TOLERANCES (UNLESS SPECIFIED)		DIMENSION UNITS	SCALE							
			ANGULAR TOL ± °		MM	1:1							
			4 PLACES ±	APAWLAK01		DATE					2017/02/07		
			3 PLACES ±	CHK'D BY		DATE							
			2 PLACES ±	APPR BY		DATE							
	1 PLACE ±	MIWASIECZKO		DATE	2017/02/20	PRODUCT CUSTOMER DRAWING							
	0 PLACES ±	DRAFT WHERE APPLICABLE MUST REMAIN WITHIN DIMENSIONS		DRAWING SIZE	THIRD ANGLE PROJECTION	SERIES	MATERIAL NUMBER	CUSTOMER					
	A	REV	A3			121040	SEE 1210400050 PDP	GENERAL MARKET					
	RELEASE STATUS		P1	RELEASE DATE	20.02.2017	15:27:27	DOCUMENT NUMBER	1210400050	DOC TYPE	PSD	DOC PART	000	SHEET NUMBER

10 9 8 7 6 5 4 3 2 1



SCHEMAT POLACZEN/WIRING CONFIGURATION

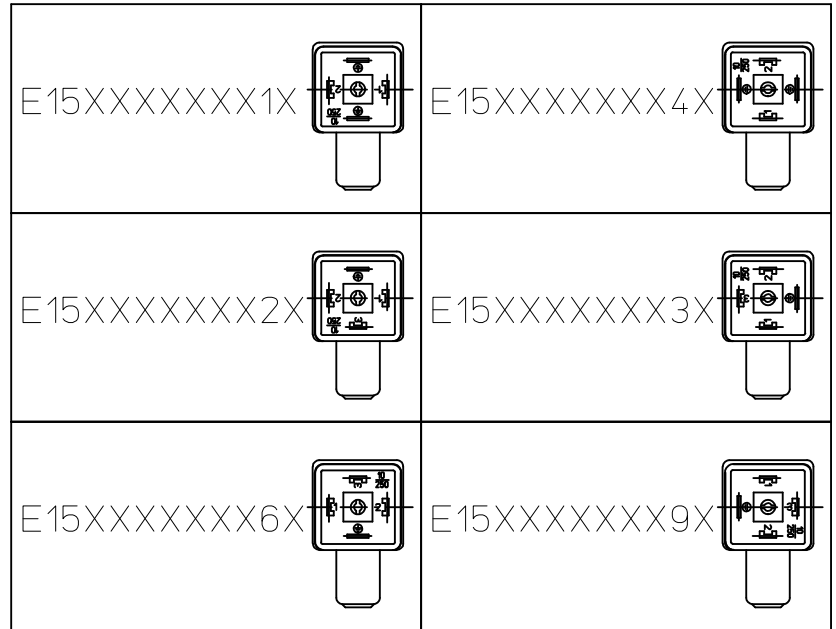


Orientacja obudowy/Insert orientation

PATRZ UWAGA 1  
SEE NOTE 1

Patrz Orientacja obudowy/See insert orientation

Table of lenght tolerances/ Tablica tolerancji dlugosci mm		
Over/Od	Up to and including/ Do-wlacznie	Tolerance/Tolerancja
100	1000	±20
1000	3000	±30
3000	5000	±40
5000	10000	±50
10000	15000	±100
15000	20000	±150
20000		±L/100



UWAGI:

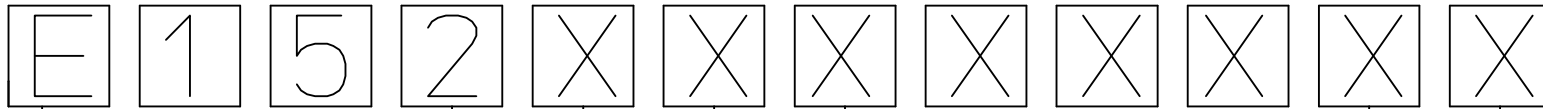
1. DLUGOSC PATRZ ARKUSZ 2.

NOTES:

1. LENGHT SEE SHEET 2.

REMOVING LABEL EC NO: WEU2009-0464 DRWIN: MWOLSZCZAK 2009/06/24 CHYKD: MDABROWSKA 2009/06/25 APPR: GOGRODNIK 2009/08/04	QUALITY SYMBOLS	GENERAL TOLERANCES (UNLESS SPECIFIED)	DIMENSION STYLE MM ONLY	SCALE ---	DESIGN UNITS METRIC	FIRST ANGLE PROJECTION
	DESCRIPTION	mm INCH	DRAWN BY DATE	TITLE	MPM E152XXXXXXXX	
	REV	4 PLACES ± --- ± ---	MLEWYTSKY 2009/01/21	CHECKED BY DATE	MOLEX INCORPORATED	
		3 PLACES ± --- ± ---	MDABROWSKA 2009/01/21	APPROVED BY DATE	DOCUMENT NO.	SHEET NO.
	2 PLACES ± --- ± ---	ANGULAR ± ---°	MWOLSZCZAK 2009/01/21	SEE DRAWING	E152XXXXXXXX	1 OF 4
	1 PLACE ± --- ± ---	DRAFT WHERE APPLICABLE MUST REMAIN WITHIN DIMENSIONS	SIZE A3	THIS DRAWING CONTAINS INFORMATION THAT IS PROPRIETARY TO MOLEX INCORPORATED AND SHOULD NOT BE USED WITHOUT WRITTEN PERMISSION		

9 8 7 6 5 4 3 2 1



E - Pakowanie bez workow  
 W - Pakowanie pojedynczo  
 Q - Szybkie pakowanie

ILOSC PRZEWODOW/NUMBER OF WIRES:  
 1=2 PRZEWODY,  
 2=2 PRZEWODY+UZIEMIENIE,  
 3=3 PRZEWODY+UZIEMIENIE.

TYP KABLA/CABLE TYPE  
 PATRZ TABELA 1/SEE TABLE 1

RODZAJ KABLA/CABLE CROSS SECTION AREA  
 PATRZ TABELA 2/SEE TABLE 2

KOLOR MOULDINGU/HEAD COLOUR:  
 G=SZARY/GREY,  
 N=CZARNY/BLACK,  
 T=PRZEZROCYSTY/TRANSPARENT,  
 A=CZARNY/BLACK,  
 B=SZARY/GREY.

DLUGOSC KABLA W CM/CABLE LENGHT IN CM  
 NP:050=50 CM, 300=300 CM.

POLOZENIE PINU Z UZIEMIENIEM(PATRZ TABELA ORJENTACJA OBUDOWY)/EARTH PIN LOCATION(SEE INSERT ORIENTATION TABLE):  
 1=PODWOJNE UZIEMIENIE NA GODZINIE 6 ORAZ 12/DOUBLE EARTH ON 6H AND 12H,  
 2=UZIEMIENIE NA GODZINIE 12/EARTH ON 12H,  
 6=UZIEMIENIE NA GODZINIE 6/EARTH ON 6H,  
 4=PODWOJNE UZIEMIENIE NA GODZINIE 3 ORAZ 9/DOUBLE EARTH ON 3H AND 9H,  
 3=UZIEMIENIE NA GODZINIE 3/EARTH ON 3H,  
 9=UZIEMIENIE NA GODZINIE 9/EARTH ON 9H.

GASKET ORAZ SRUBY/GASKET SCREWS:  
 1=GASKET PROFILOWANY+SRUBA/NBR PROFILE GASKET+FIXING SCREWS,  
 2=NBR PLASKI GASKET+SRUBA/NBR FLAT GASKET+SCREW,  
 3=SILIKONOWY PROFILOWANY GASKET+SRUBA/SILICONE PROFILE GASKET+SCREW,  
 4=SILIKONOWY PLASKI GASKET+SRUBA/SILICON FLAT GASKET+SCREW,  
 P=ZINTEGROWANY GASKET+SRUBA/INTEGRATED GASKET+FIXING SCREW,  
 R=ZINTEGROWANY GASKET+SRUBA/INTAGRATED GASKET+SCREW,  
 T=PROFILOWANY GASKET+SRUBA, PROFILE GASKET+SCREW.

ORIGINAL RELEASE EC NO: WEU2009-0394 DRWIN: MWOLSZCZAK 2009/05/26 CHKD: MDABROWSKA 2009/05/29 APPR: GOGRODNIK 2009/06/08	DESCRIPTION	QUALITY SYMBOLS	GENERAL TOLERANCES (UNLESS SPECIFIED)		DIMENSION STYLE MM ONLY		SCALE ---	DESIGN UNITS METRIC	FIRST ANGLE PROJECTION		
		▽=0 ◻=0	mm	INCH	DRAWN BY	DATE	TITLE MPM E152XXXXXXXXXX				
			4 PLACES ± --- ± ---	3 PLACES ± --- ± ---	MLEVYTSKY	2009/01/21					
			2 PLACES ± --- ± ---	1 PLACE ± --- ± ---	MDABROWSKA	2009/01/21					
		ANGULAR ± ---°	DRAFT WHERE APPLICABLE MUST REMAIN WITHIN DIMENSIONS		APPROVED BY	DATE	MOLEX INCORPORATED				
					MWOLSZCZAK	2009/01/21	DOCUMENT NO. E152XXXXXXXXXX				
					SEE DRAWING		SHEET NO. 2 OF 4				
					THIS DRAWING CONTAINS INFORMATION THAT IS PROPRIETARY TO MOLEX INCORPORATED AND SHOULD NOT BE USED WITHOUT WRITTEN PERMISSION						