

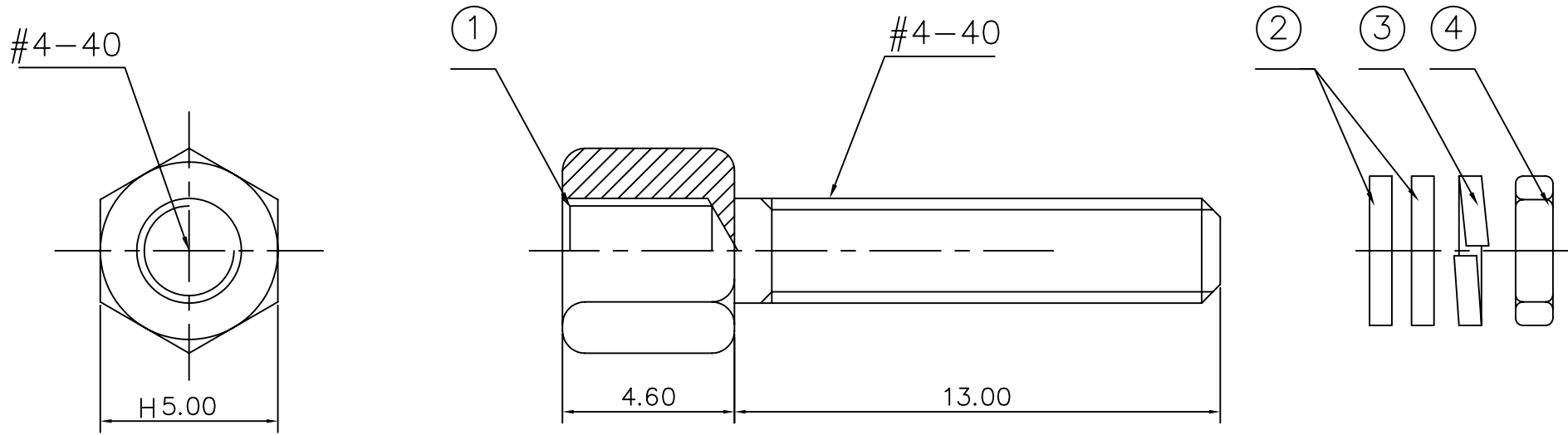
A

B

C

D

E



NOTES:

- 1. Material:
  - ① 10 SCREWS STEEL
  - ② 20 WASHERS STEEL
  - ③ 10 LOCK WASHERS STEEL
  - ④ 10 NUTS STEEL
- 2. Finish :Bright Tinned plating. over nickel.
- 3. 1P/N= 10 Lockings  
locking are necessary for one connector
- 4. Marking:  
Amphenol L17D  
Made in China  
P/N: L17D204182LEX



<b>Amphenol Socapex</b>		TOL. GEN.: +/-0.30													
		VOLUME:													
		AREA:													
		PLATING:													
SERIES		TREATMENT:													
NUMBER SERIES		MATERIAL:													
Screw		FILE:	CUSTOMER	MODIFICATIONS	DRAW	DATE	APPROVE	IND.							
DATE	2007.07.20	DESIGNATION	INTERNAL PART NUMBER												
		HEX LOCKING SCREW		L17D204182LEX											