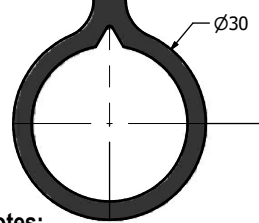
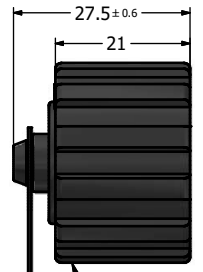


Key Protrusion x 3
Cover Gasket

93 ± 0.3



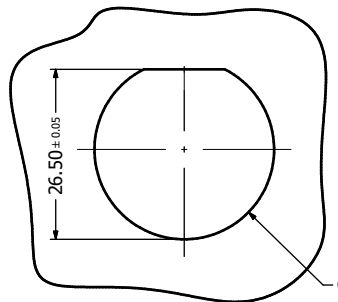
Ø30



Protective Cover
(Plastic, color black
Bayonet Locking Type)

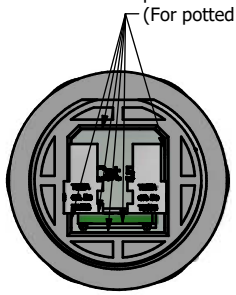
Tether

0.5

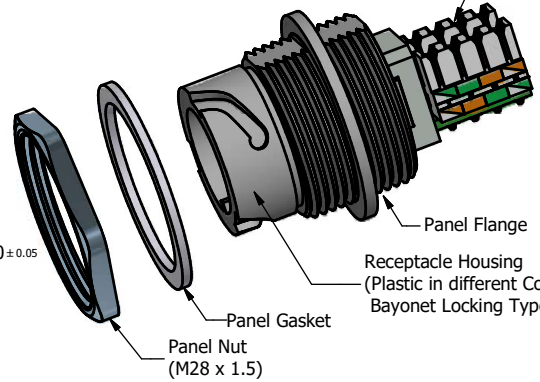


Recommended Panel Cutout (B)

Ø28.00 ± 0.05



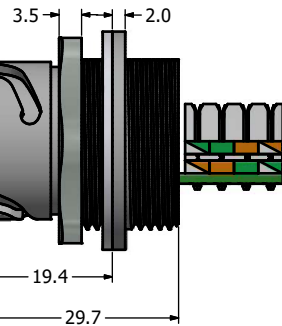
Sealed with Sealing Compound,
provides IP67 even when uncovered
(For potted version only)



Panel Nut
(M28 x 1.5)

Receptacle Housing
(Plastic in different Colors
Bayonet Locking Type)

Panel Gasket



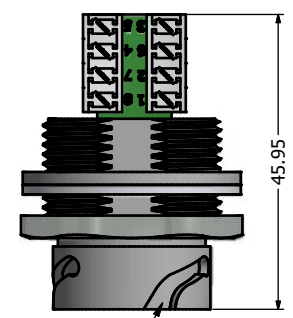
3.5

2.0

19.4

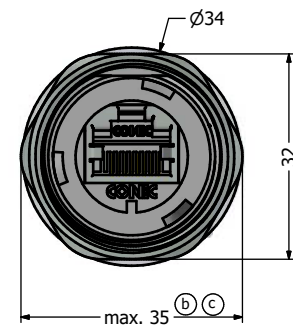
29.7

Shielded Cat.5e RJ45 IDC Jack
accepts both Solid and Stranded
AWG 24 to 26 Wires



Bayonet Channel x 3

45.95



Ø34

32

max. 35 (B) (C)

Notes:

- Electrical Specifications:
 - Meets EIA/TIA-568-B.2 Cat.5e Specification
 - Contact Resistance: 20mOhm max.
 - Insulation Resistance: 500MOhm min. @ 100 VDC
 - Current Rating: 1.2A max. at 25° C
 - Working Voltage: 100 VDC
 - DWV: 1000 VDC/60s Contact to Contact, 1500 VDC/60s Contact to Metal Shell
 - Operating Temperature: -40° C to +85° C
- Material and Finish:
 - Receptacle Housing: Polyester (Color: See Part Number Table); UL94 V-0
 - Protective Cover: Polyester (Black); UL94 V-0
 - Panel Nut: Brass, Finish: Nickel Plated
 - Panel Gasket: Silicon, Color: White
 - Cover Gasket: Silicon, Color: White
 - Tether: Polycarbonate, Color: Black
 - Cat.5e RJ45 IDC Jack Metal Shell: Copper Alloy, Nickel Plated
 - Cat.5e RJ45 IDC Jack Plastic Housing: Glass filled PBT UL94 V-0, Color: Black
 - Cat.5e RJ45 IDC Jack Contacts: Phosphor Bronze, Finish: 50u" Gold min. over Nickel
- Connector can be front or rear mounted to a maximum panel thickness of 3.2mm.
- IP67 rated when covered or fully mated with the appropriate mating connector
- Recommended Mounting Panel Nut Torque is 20 to 25 lb-inch

RoHS compliant

Description	Potted Colored Plastic Receptacle Housing with Shielded Cat.5e RJ45 IDC Jack + Black Cover					
Plastic Receptacle Housing Color	Black	Blue	Green	Yellow	Red	White
Part Number	17-10037	17-102714	17-102724	17-102734	17-102744	17-102754

THIS DRAWING MAY NOT BE COPIED OR REPRODUCED IN ANY MANNER WITHOUT THE WRITTEN PERMISSION OF CONEC CORPORATION. OWNERSHIP AND COPYRIGHT OF CONEC CORPORATION.	Customer:			Tolerance Unless otherwise specified			Scale: 1.2:1	Dim. in mm
	Name	Title	Approval Date	0 PLC ± 0.50	1 PLC ± 0.38		Material: See Notes	
				2 PLC ± 0.25	3 PLC ± 0.10	Title: Potted Receptacle & Cover Kit Colored Plastic Receptacle Housing with Shielded Cat. 5e RJ45 IDC Jack		
				ANGLES ± 3°		Drawing No.: 17K1A195		
DOT NOT ALTER CAD DRAWING BY HAND			2011	Date	Name	Part No.: SEE PART NUMBER TABLE		
			Draw.	Jan. 28	Vincent Ke	DIN A3		
			Appd.	Jan. 28	J. Chaudry	Sheet 1/1		
			Norm					
1 x c	A21-0426	29.10.2021	Bub	D-old				
b		Mar/08/2011	Vincent ke					
a	original							
Rev	Changes	Date	Name					

