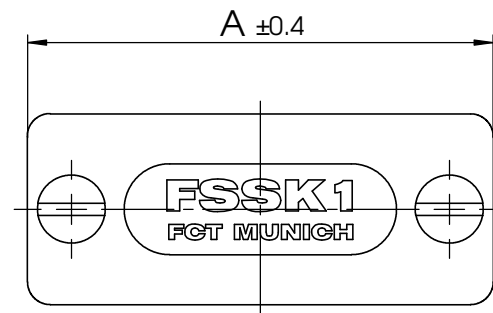
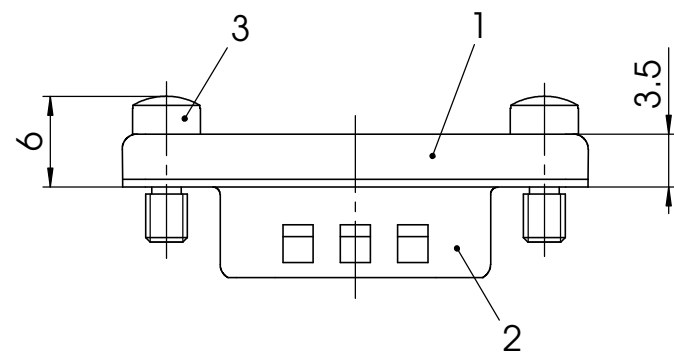
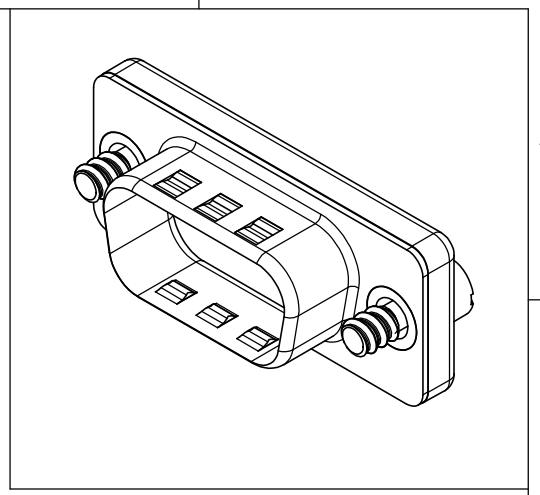
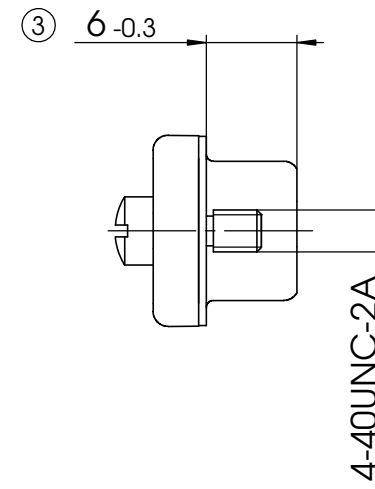
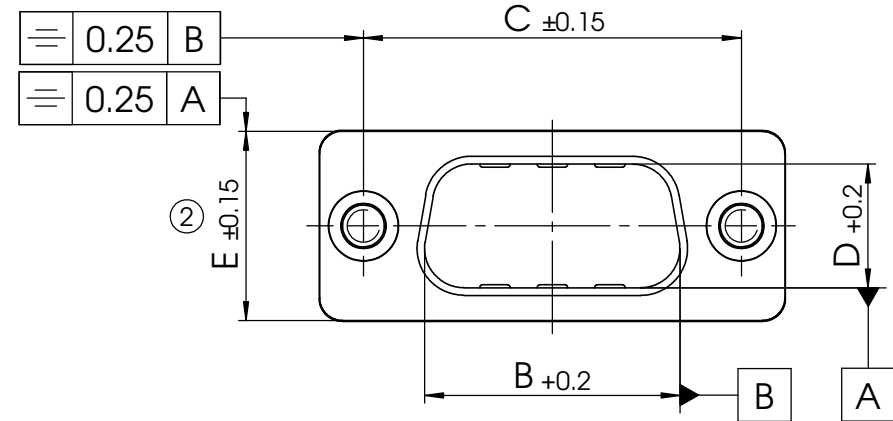


COMMENT:
ALL RIGHTS ARE RESERVED BY US FOR THIS DRAWING. WITHOUT OUR PRIOR CONSENT,
IT MAY NEITHER BE DUPLICATED NOR MADE AVAILABLE TO A THIRD PARTY,
AND IT ALSO MAY NOT BE IMPROPERLY USED BY THE RECEIVER, OR A THIRD PARTY.



FSSKx *1) P

e.g. FSSK1P

*1) x Shell size 1, 2, 3, 4 or 5

Shell size	A mm	B mm	C mm	D mm	E mm
1	30.8	16.9	25	8.2	12.5
2	39.1	25.2	33.3	8.2	12.5
3	53	38.9	47.04	8.2	12.5
4	69.3	55.3	63.5	8.2	12.5
5	66.9	52.8	61.1	11	15.4

② max. torque are 40 Ncm

No.	St.	Part	Type	Description/Material	Surface plating/Colour/Class
3	2	Screw	4-40	Brass	nickel plated
2	1	Shell		Brass	tin plated
1	1	Shielding flange	FSSK1-5	Zinc die-cast	nickel plated

						SCALE	TITLE	
				NAME / DATE		2:1	Shielded Dust Cap	
		DRAWN		Denzinger				
				17-06-2002				
		CHECKED		KBurkhardt				
				02-11-2007				
3	01-11-2007	22137	 fctgroup.com		DWG.NO.		REV.	
2	05-09-2007	21987			FSSK1-5P		3	
1								
REV.	DATE	CH.-NO.	ORIGINAL: DIN A3-DRAWING AS A FILE		REPLACEMENT FOR:		PAGES 1	