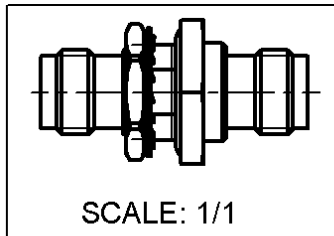
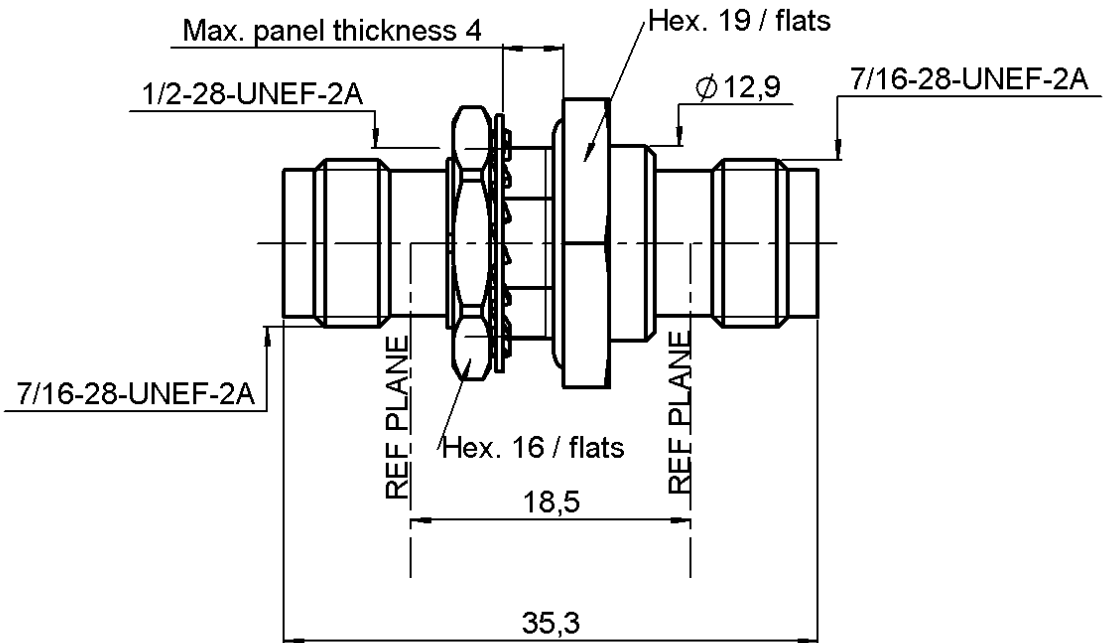


FEMALE-FEMALE HERMETIC ADAPTOR

R143.753.000

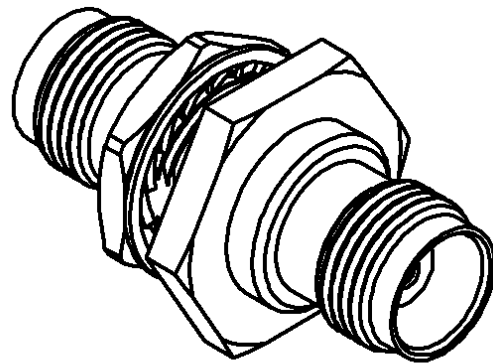
BULKHEAD PANEL SEAL

Series : TNC



PANEL CUT OUT

mm	
	Maxi mini
A	12.8 12.7
B	12.05 11.95



All dimensions are in mm.

COMPONENTS	MATERIALS	PLATING (µm)
BODY	BRASS	NICKEL 2
CENTER CONTACT	BERYLLIUM COPPER	GOLD 0.5 OVER NICKEL 2
OUTER CONTACT	-	-
INSULATOR	PTFE+GLASS BEAD	-
GASKET	BLACK FLUOROCARBON	-
OTHERS PARTS	BRASS	NICKEL 2
-	-	-
-	-	-

Issue : 1251 E

In the effort to improve our products, we reserve the right to make changes judged to be necessary.
 This document contains proprietary information and such information shall not be disclosed to any third party for any purpose whatsoever or used for manufacturing purposes without prior written agreement from RADIALL



FEMALE-FEMALE HERMETIC ADAPTOR

R143.753.000

BULKHEAD PANEL SEAL

Series : TNC

PACKAGING

SPECIFICATION

Standard	Unit	Other
100	'W' option	Contact us

ELECTRICAL CHARACTERISTICS

ENVIRONMENTAL

Impedance		50 Ω
Frequency		0-11 GHz
VSWR	1.45 +	0,0000 x F(GHz) Maxi
Insertion loss		0.07 √F(GHz) dB Maxi
RF leakage	- (57 - F(GHz)) dB Maxi
Voltage rating		500 Veff Maxi
Dielectric withstanding voltage		1500 Veff mini
Insulation resistance		5000 MΩ mini

Operating temperature	-25/+100 ° C
Hermetic seal	10-8 Atm.cm3/s
Panel leakage	NA

OTHER CHARACTERISTICS

Assembly instruction

Others :

MECHANICAL CHARACTERISTICS

Center contact retention		
Axial force – Mating end	26	N mini
Axial force – Opposite end	26	N mini
Torque	NA	N.cm mini
Recommended torque		
Mating	NA	N.cm
Panel nut	260	N.cm
Mating life	500	Cycles mini
Weight	23,2320	g

Issue : 1251 E

In the effort to improve our products, we reserve the right to make changes judged to be necessary.
 This document contains proprietary information and such information shall not be disclosed to any third party for any purpose whatsoever or used for manufacturing purposes without prior written agreement from RADIALL

