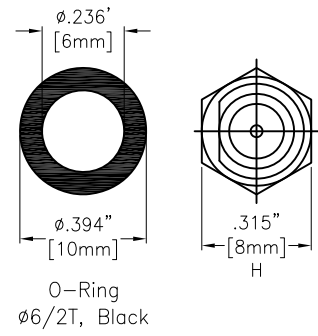
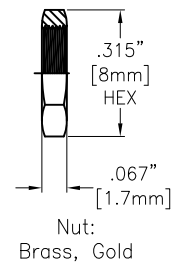
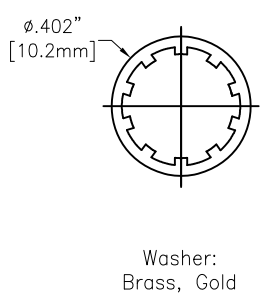
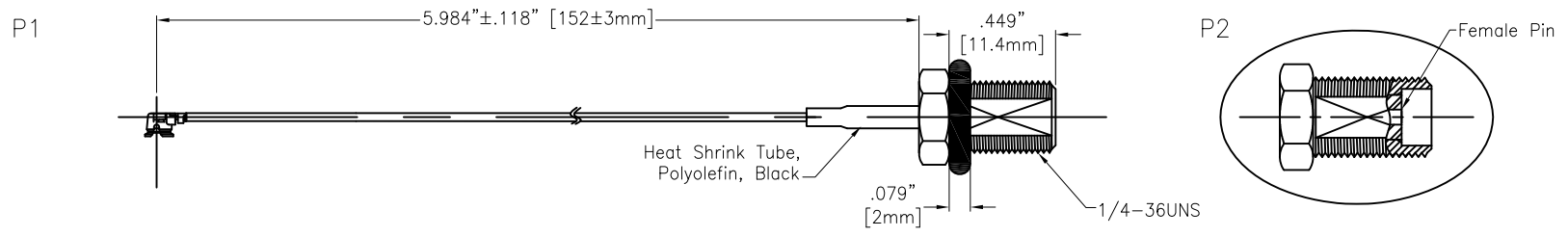


6	5	4	3	2	1		
APPROVED: _____			Rev	AWO #	Description	Date	Appr
DATE: _____ TITLE: _____			-		RELEASED	11/16/18	

CUSTOM CABLE ASSEMBLIES ARE NON-CANCELLABLE / NON-RETURNABLE



SPECIFICATIONS:

Connector:
 P1= I-PEX Connector, Gold plated
 P2= SMA Jack, Straight, Female pin, Gold plated

Cable:
 0.13mm Coaxial Cable, Color: Black

Electrical:
 Impedance: 50 ohms
 Frequency range: DC-6 GHz

Electrical Test:
 All Assemblies must be 100% Tested for
 Shorts, Open, Continuity, and Physical Appearance.

Environmental:
 Lead free, RoHS compliant



UNLESS OTHERWISE SPECIFIED ALL DIMENSIONS ARE INCHES [MM] TOLERANCES: EXCEPT AS NOTED	
INCHES	HOLES
.X ± .10	Ø.X ± .10
.XX ± .020	Ø.XX ± .015
.XXX ± .015	Ø.XXX ± .010
APPROVALS	
DRAWN	AY 11/16/18
CHECKED	AC 11/16/18
APPROVED	

ADAM TECH INTERCONNECTS 909 Rahway Avenue,
 Union, NJ 07083 Phone: 908-687-5000
 Fax: 908-687-5710

TITLE CUSTOM CABLE ASSEMBLY, IPEX PLUG TO SMA S/T JACK WITH OD 1.13MM CABLE		
SIZE	PART NO.	REV.
X	CA#DKCA0-152L0-AJ10-0	-
REF: S00291T	SCALE: NTS	SHEET 1 OF 1