

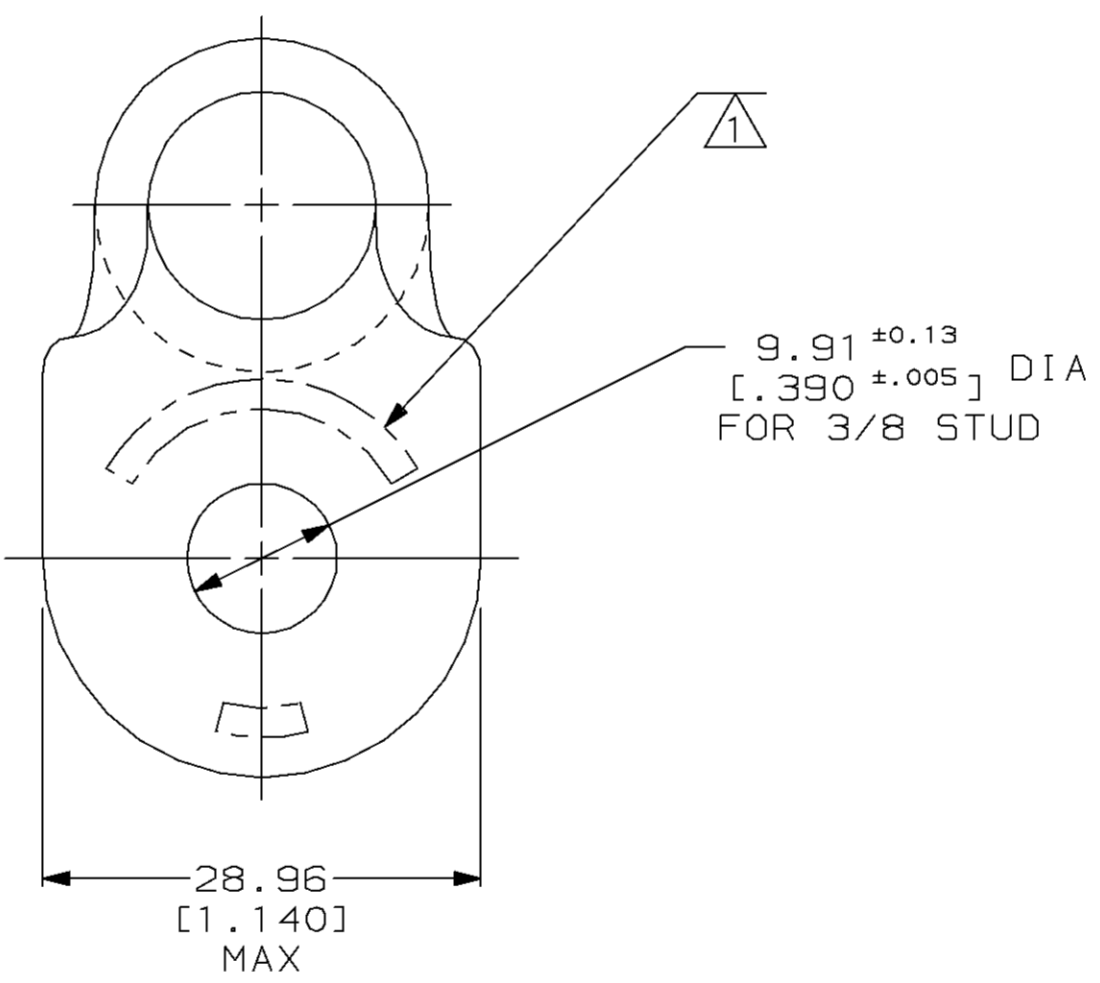
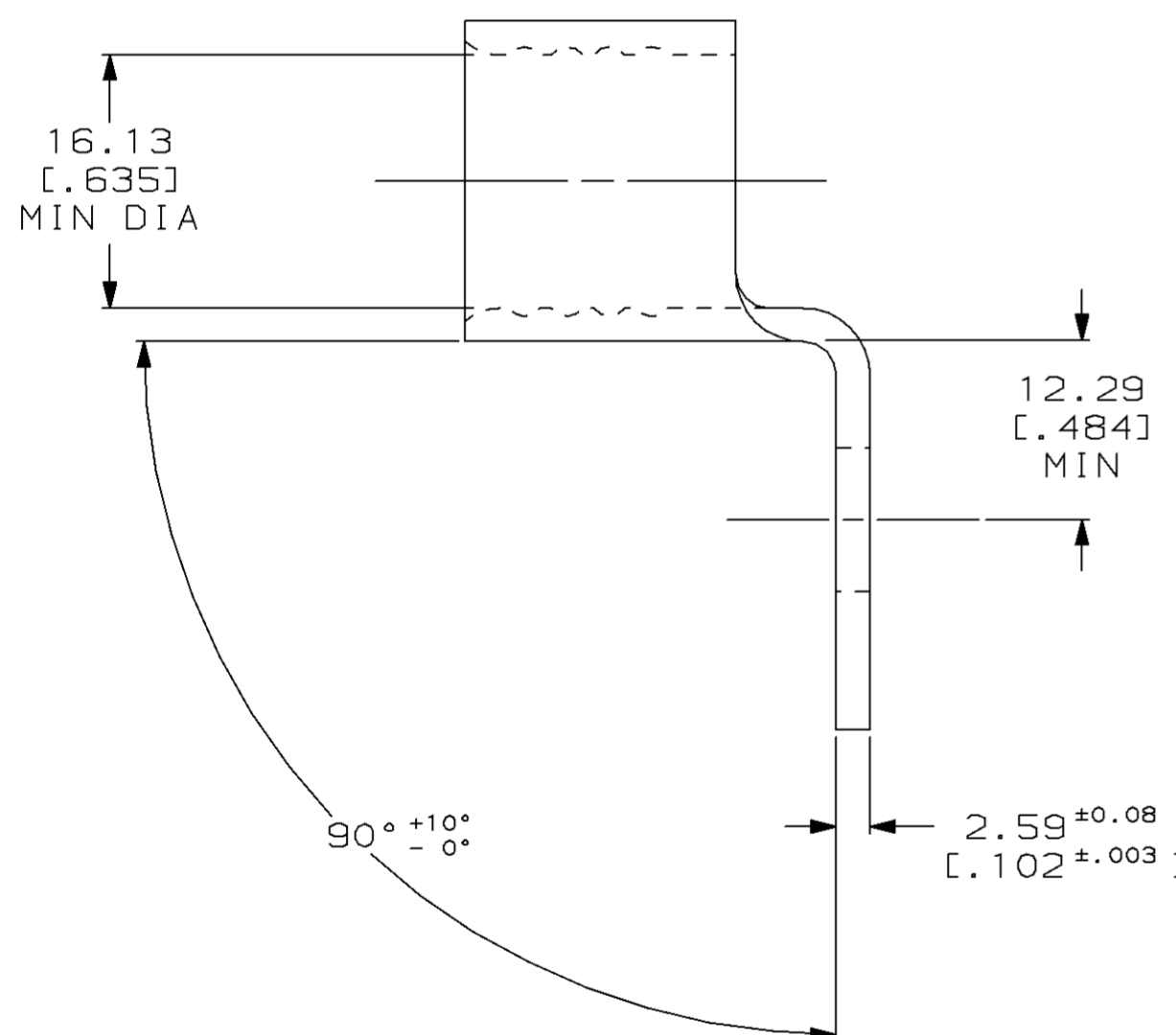
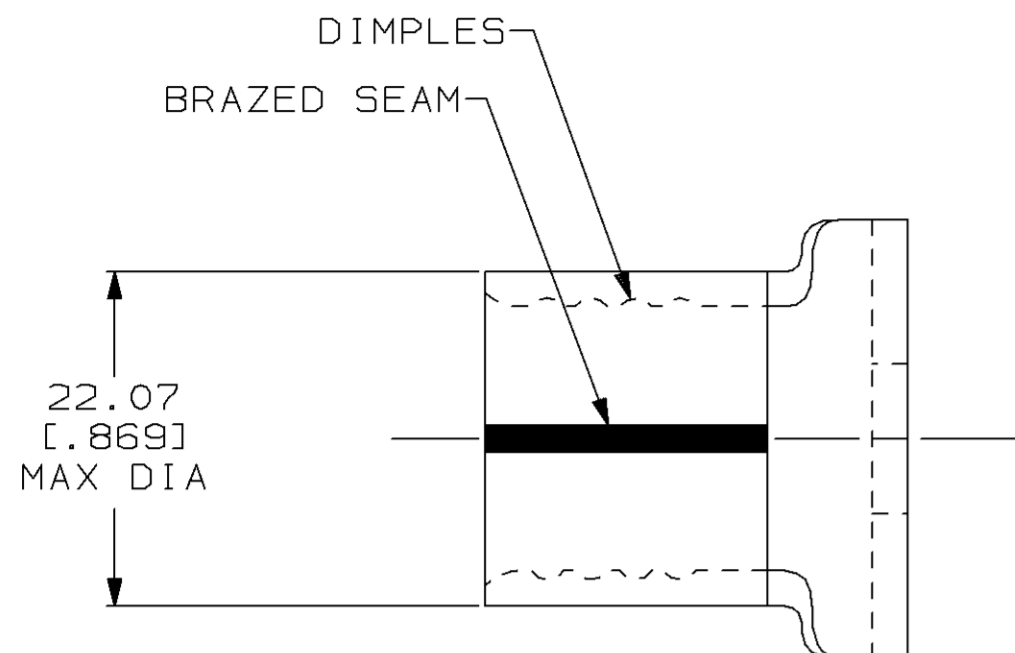
THIS DRAWING IS UNPUBLISHED. RELEASED FOR PUBLICATION ,19 .
 © COPYRIGHT 19 BY AMP INCORPORATED. ALL INTERNATIONAL RIGHTS RESERVED.

| LOC | | DIST | | P | | F | | REVISIONS | | DATE | APPD |
|-----|----|------|--|---|--|------|-----|--------------------------------|---------|------|------|
| G | 14 | | | | | ZONE | LTR | DESCRIPTION | | | |
| | | | | | | | E | REV & REDRAWN PER 0720-0124-93 | 10/5/93 | AJK | |

METRIC
 DIMENSIONS LISTED IN mm [INCHES]

| | |
|-------------------------------|----------------------------|
| AMP WIRE RANGE | UL E13288 Listed |
| 4/0 AWG SOLID OR STRANDED | 4/0 AWG STRANDED |
| SR LR7189 Certified | MILITARY P/N AND CLASS |
| 4/0 AWG SOLID OR STRANDED | NOT APPLICABLE |

① STAMP AMP 4/0W* 200 APPROX AS SHOWN



| | | | | | |
|--|--|---|--|----------------------------|--|
| AMP INCORPORATED CUSTOMER SERVICE SYSTEMS | | MAX RECOMMENDED OPERATING TEMPERATURE: 170°C MAX | DO NOT SCALE PRINT. UNLESS SPECIFIED DIMENSIONS IN mm [INCHES] TOLERANCES ON: 2 PLC DEC ± 0.20 [.008] 3 PLC DEC ± - ANGLES ± - | DR 10/5/93 DK SCHRUM | AMP AMP Incorporated Harrisburg, PA 17105-3608 |
| FOR ADDITIONAL PRODUCT INFORMATION OR COPIES OF DRAWINGS AND TECHNICAL DOCUMENTS | PRODUCT INFORMATION CENTER 1-800-522-6752 | VOLTAGE RATING: NOT APPLICABLE | MATERIAL COPPER PER ASTM B-152 ANNEALED | CHK 10/6/93 AJ KAUFMAN | |
| FOR APPLICATION TOOLING INFORMATION | TOOLING ASSISTANCE CENTER 1-800-722-1111 | WIRE CROSS SECTIONAL AREA RANGE: 96.3-117.0mm² [190,000-231,000] CIR MILS SOLID OR STRANDED | FINISH TIN PLATE 0.00254 [0.00100] MIN THK PER MIL-T-10727 | APPD 10/6/93 RE ROSER | SIZE ③ 00779 |
| FOR ORDER ENTRY | 1-800-526-5142 | THIS DRAWING IS A CONTROLLED DOCUMENT FOR AMP INCORPORATED. IT IS SUBJECT TO CHANGE AND THE CONTROLLING ENGINEERING ORGANIZATION SHOULD BE CONTACTED FOR THE LATEST REVISION. | | APPD 10/6/93 JL MECKLEY | DRAWING NO ③=321265 |
| AMP 1471-6 REV 3-92 | | | | PRODUCT SPEC - | SCALE 2:1 |
| | | | | APPLICATION SPEC - | SHEET 1 OF 1 |
| | | | | WEIGHT - | CUSTOMER DRAWING |