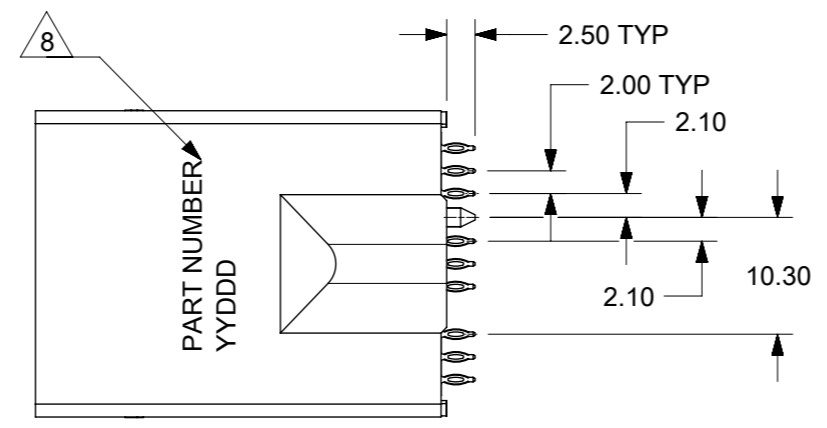
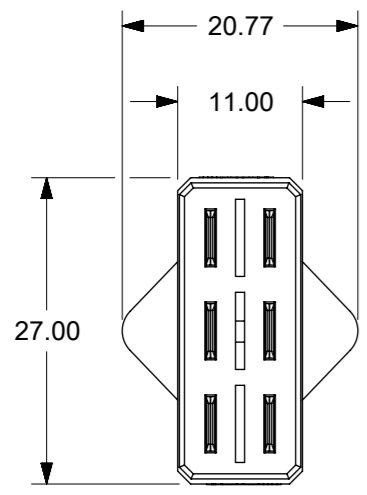
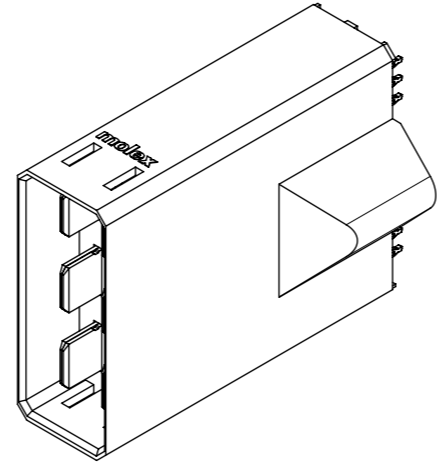
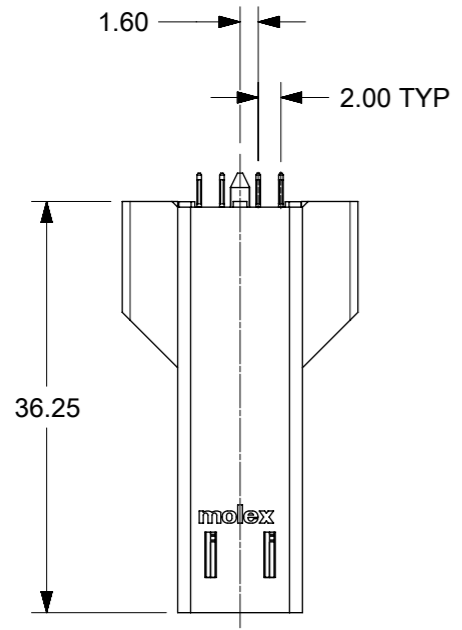


PART NUMBER	PLATING OPTIONS	PACKAGING
78442-1022	TIN PLATING	TRAY

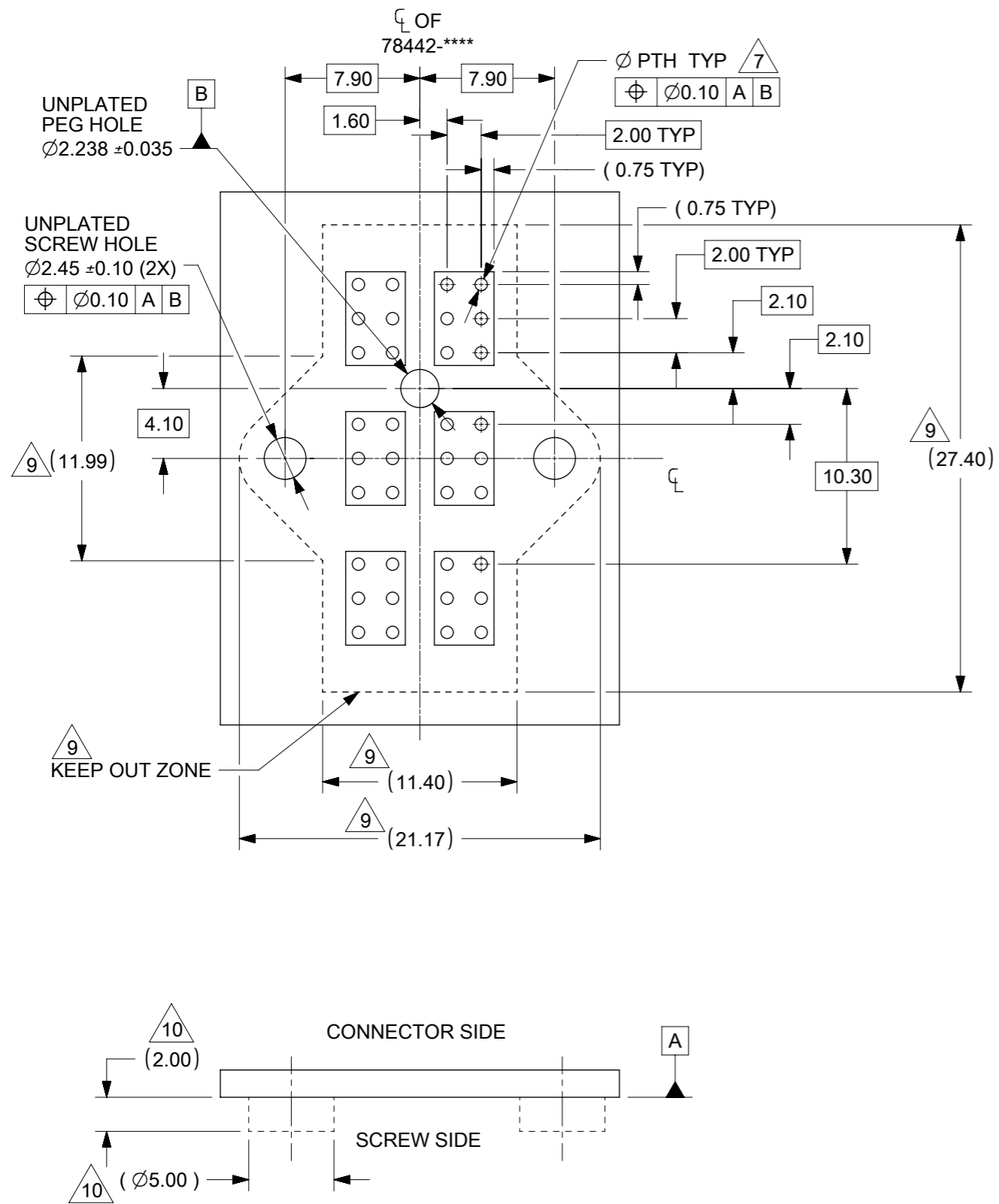


NOTES:

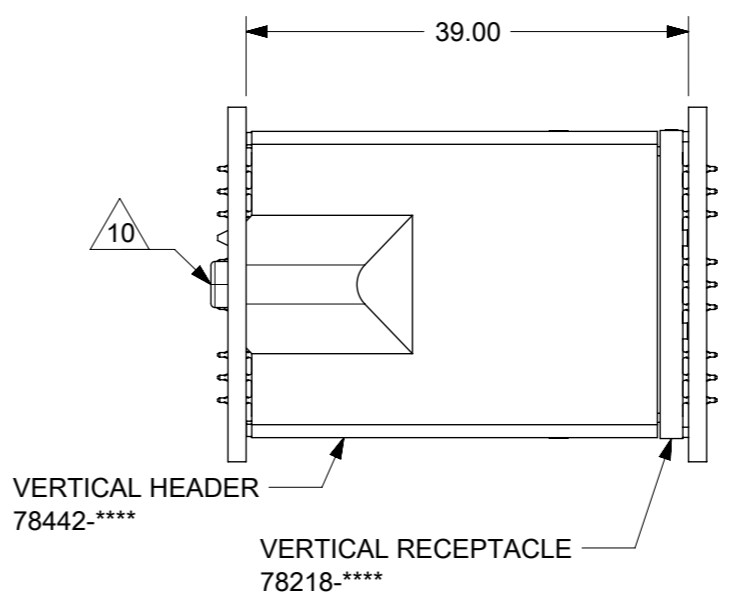
- MATERIAL:
HOUSING - LCP, GLASS FILLED, UL94-V0, COLOR: BLACK
POWER PIN - COPPER ALLOY
- FINISHES:
TIN - 0.76μm MINIMUM GOLD AT CONTACT AND
2.54μm MINIMUM TIN AT SOLDER TAIL AREA OVER
1.27μm MINIMUM NICKEL UNDERPLATE OVERALL.
- PRODUCT SPECIFICATION: PS-78213-001.
- PACKAGING SPECIFICATION: PK-78442-001.
- MATES WITH 78218-****.
- REFER SHEET 2 FOR RECOMMENDED PCB LAYOUT.
- REFER TO MOLEX PRODUCT SPECIFICATION PS-78213-001 FOR PLATED THROUGH-HOLE SPECIFICATIONS.
- PART NUMBER AND DATE CODE (YYDDD) APPROXIMATELY SHOWN.
- KEEP OUT ZONE FROM OTHER COMPONENTS.
- PARTS ARE SHIPPED WITH #2-32 TYPE AB SELF-TAPPING SCREW PART NUMBER 73726-0000.

THIS DRAWING CONTAINS INFORMATION THAT IS PROPRIETARY TO MOLEX ELECTRONIC TECHNOLOGIES, LLC AND SHOULD NOT BE USED WITHOUT WRITTEN PERMISSION									
DIMENSION UNITS	SCALE	CURRENT REV DESC: MIGRATED TO NX							
mm	NTS								
GENERAL TOLERANCES (UNLESS SPECIFIED)		EC NO: 612508			IMPACT POWER, 6 PAIR VERTICAL HEADER 39MM, PRESS-FIT				
ANGULAR TOL	± 3.0 °	DRWN: AAPPARAOTHAK 2019/02/01							
4 PLACES	±	CHK'D: ABN 2019/03/12			PRODUCT CUSTOMER DRAWING				
3 PLACES	±	APPR: CWANG25 2019/03/13							
2 PLACES	± 0.25	INITIAL REVISION:			DOCUMENT NUMBER		DOC TYPE	DOC PART	REVISION
1 PLACE	±	DRWN: KJKOH 2008/10/06			SD-78442-001		PSD	001	D1
0 PLACES	±	APPR: SHONG 2008/10/07			MATERIAL NUMBER		CUSTOMER		SHEET NUMBER
DRAFT WHERE APPLICABLE MUST REMAIN WITHIN DIMENSIONS		THIRD ANGLE PROJECTION	DRAWING	SERIES	SEE TABLE		GENERAL MARKET		1 OF 2

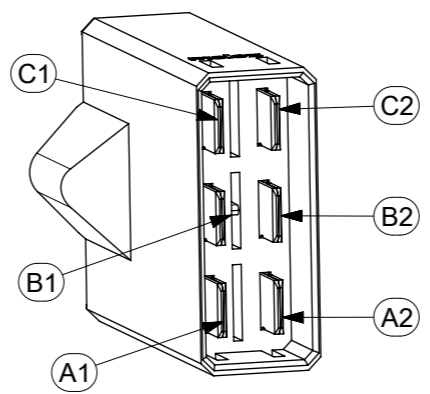
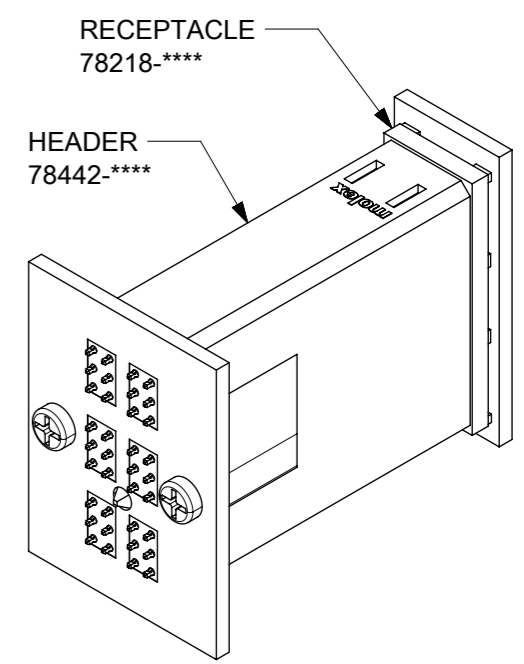
DOCUMENT STATUS	P1	RELEASE DATE	2019/03/13	10:32:47
-----------------	----	--------------	------------	----------



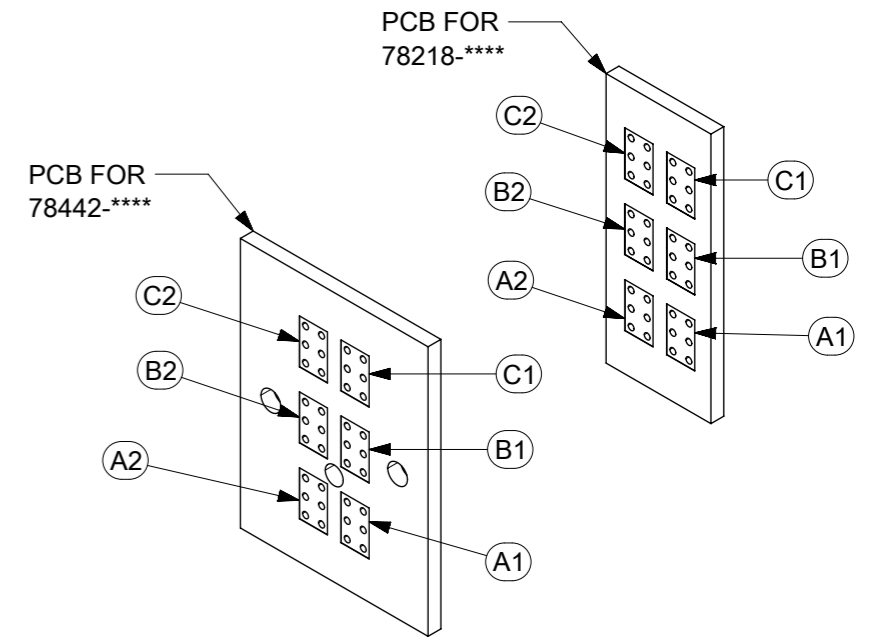
RECOMMENDED PCB LAYOUT
 (COMPONENT SIDE SHOWN)
 BOARD THICKNESS: 1.60mm to 4.40mm



**5 MATED SYSTEM WITH 78442
 VERTICAL HEADER (78442) & VERTICAL RECEPTACLE (78218)**



**PIN NUMBER ASSIGNMENT
 BASED ON HEADER SIDE:
 A1, B1 ON THE LEFT
 A2, B2 ON THE RIGHT**



**CIRCUIT PATH OF MATED SYSTEM
 WITH CONNECTOR REMOVED**

THIS DRAWING CONTAINS INFORMATION THAT IS PROPRIETARY TO MOLEX ELECTRONIC TECHNOLOGIES, LLC AND SHOULD NOT BE USED WITHOUT WRITTEN PERMISSION		CURRENT REV DESC: MIGRATED TO NX		molex	
DIMENSION UNITS	SCALE				
mm	NTS			IMPACT POWER, 6 PAIR VERTICAL HEADER 39MM, PRESS-FIT	
GENERAL TOLERANCES (UNLESS SPECIFIED)				PRODUCT CUSTOMER DRAWING	
ANGULAR TOL	± 3.0 °	EC NO:	612508	DOCUMENT NUMBER	
4 PLACES	±	DRWN:	AAPPARAOTHAK 2019/02/01	SD-78442-001	
3 PLACES	±	CHK'D:	ABN 2019/03/12	DOC TYPE	DOC PART
2 PLACES	± 0.25	APPR:	CWANG25 2019/03/13	PSD	001
1 PLACE	±	INITIAL REVISION:		REVISION	D1
0 PLACES	±	DRWN:	KJKOH 2008/10/06		
DRAFT WHERE APPLICABLE MUST REMAIN WITHIN DIMENSIONS		APPR:	SHONG 2008/10/07		
THIRD ANGLE PROJECTION		DRAWING	SERIES	MATERIAL NUMBER	CUSTOMER
		A3-SIZE	78442	SEE TABLE	GENERAL MARKET
				SHEET NUMBER	
				2 OF 2	