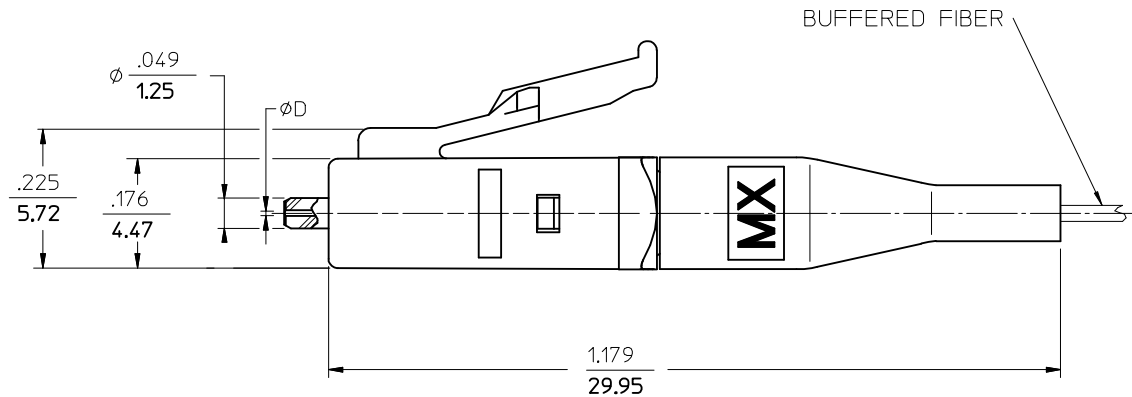
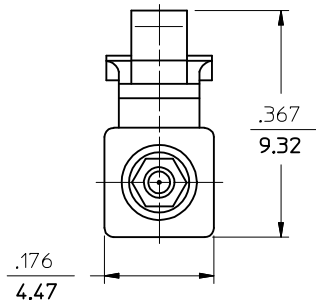


CONNECTOR P/N	ØD (µm)	HOUSING COLOR	BOOT COLOR	DUST CAP COLOR	CABLE TYPE
106090-2800	125,50	GREEN	GREEN	GREEN	SINGLE MODE
106090-6600	125,25		SINGLE MODE		
106090-2870	125,50	GREEN	GREEN	WHITE	SINGLE MODE
106026-2500	125,50	GREEN	GREEN	GREEN	SINGLE MODE

(DUST CAP NOT SHOWN)



<b>ENTER DESCRIPTION</b> EC NO: MF2011-0295 DRW: DRANKPEVZNER 2011/01/17 CHKD: WCHEN APPR: WCHEN 2011/01/17	<b>QUALITY SYMBOLS</b> $\nabla=0$ $\nabla=0$	<b>GENERAL TOLERANCES (UNLESS SPECIFIED)</b>		<b>DIMENSION STYLE</b> IN/MM	<b>SCALE</b> 5:1	<b>DESIGN UNITS</b> INCH	<b>THIRD ANGLE PROJECTION</b>															
		<table border="1"> <thead> <tr> <th></th> <th>mm</th> <th>INCH</th> </tr> </thead> <tbody> <tr> <td>4 PLACES</td> <td>±----</td> <td>±----</td> </tr> <tr> <td>3 PLACES</td> <td>±----</td> <td>±----</td> </tr> <tr> <td>2 PLACES</td> <td>±----</td> <td>±----</td> </tr> <tr> <td>1 PLACE</td> <td>±----</td> <td>±----</td> </tr> </tbody> </table>		mm	INCH	4 PLACES	±----	±----	3 PLACES	±----	±----	2 PLACES	±----	±----	1 PLACE	±----	±----	DRAWN BY: PGIBLIN DATE: 2005/09/08	<b>TITLE</b> LC APC CONNECTOR (BARE FIBER)			
		mm	INCH																			
	4 PLACES	±----	±----																			
3 PLACES	±----	±----																				
2 PLACES	±----	±----																				
1 PLACE	±----	±----																				
	ANGULAR $\pm 1/2^\circ$	CHECKED BY: _____ DATE: _____	<b>MOLEX INCORPORATED</b>																			
<b>A2</b>	<b>DRAFT WHERE APPLICABLE MUST REMAIN WITHIN DIMENSIONS</b>	MATERIAL NO. SEE TABLE	APPROVED BY: _____ DATE: _____	DOCUMENT NO. SD-1060PP-PPP0	SHEET NO. 1 OF 01																	