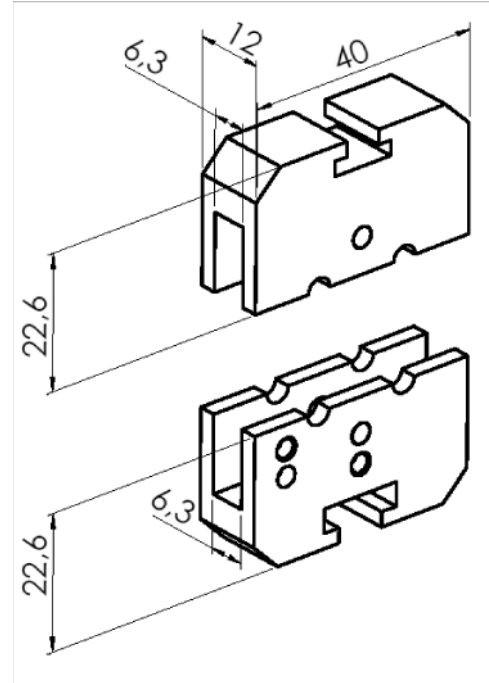
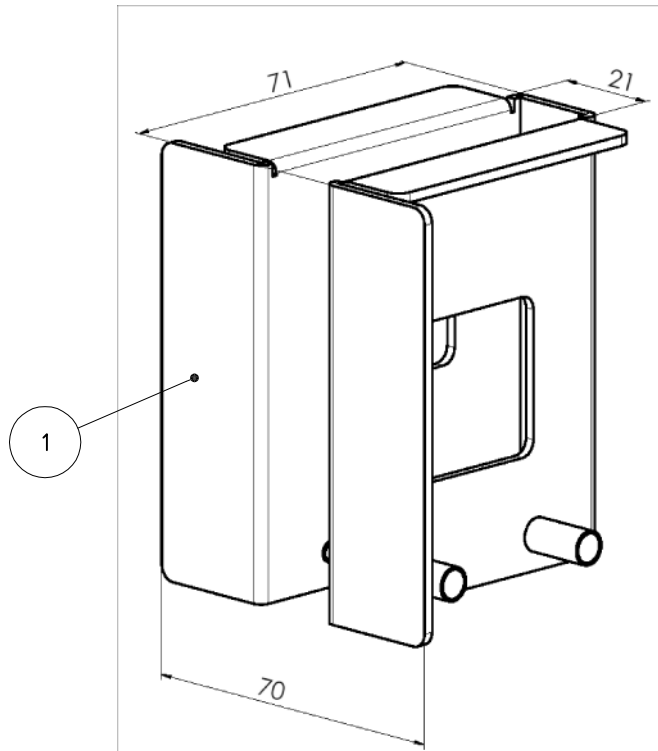


THIS DRAWING IS UNPUBLISHED. RELEASED FOR PUBLICATION
 © COPYRIGHT - BY TYCO ELECTRONICS CORPORATION. ALL INTERNATIONAL RIGHTS RESERVED.

| LOC | | DIST | | REVISIONS | | | |
|-----|-----|------------------|--|-----------|-----|------|--|
| P | LTR | DESCRIPTION | | DATE | DWN | APVD | |
| | A | INITIAL REVISION | | 19AUG10 | LS | SA | |



ACHTUNG/ATTENTION

Nur in Kombination mit TE-P/N 528051-7 zu verwenden /
 ONLY TO BE USED IN COMBINATION WITH TE-P/N 528051-7

| POS | QTY | REV | TE- P/N | SPARE PART DESCRIPTION |
|-----|-----|-----|-------------|--|
| 1 | 1 | A | 3-1481226-5 | SAFETY GUARD, PEZ 100- DIE HOLDER AT- 55 |

| | | | | |
|--|--|-------------------------------|---|--------------------|
| THIS DRAWING IS A CONTROLLED DOCUMENT. | | DWN L. Sandhu 11MAY10 | Tyco Electronics AMP GmbH 64625 Bensheim (Germany) | |
| DIMENSIONS: mm | TOLERANCES UNLESS OTHERWISE SPECIFIED: | CHK S. Samstag 19AUG10 | NAME AT- 55 PEZ 100 DIE HOLDER, CS30/CK100, INCL. SAFETY GUARD AT- 55 | |
| | 0 PLC ± - | APVD S. Samstag 19AUG10 | SIZE A3 | CAGE CODE 00779 |
| | 1 PLC ± - | PRODUCT SPEC | DRAWING NO C=1-528051-3 | RESTRICTED TO - |
| MATERIAL | FINISH | APPLICATION SPEC | CUSTOMER DRAWING | |
| | | WEIGHT | SCALE | SHEET 1 of 1 |
| | | | | REV A |