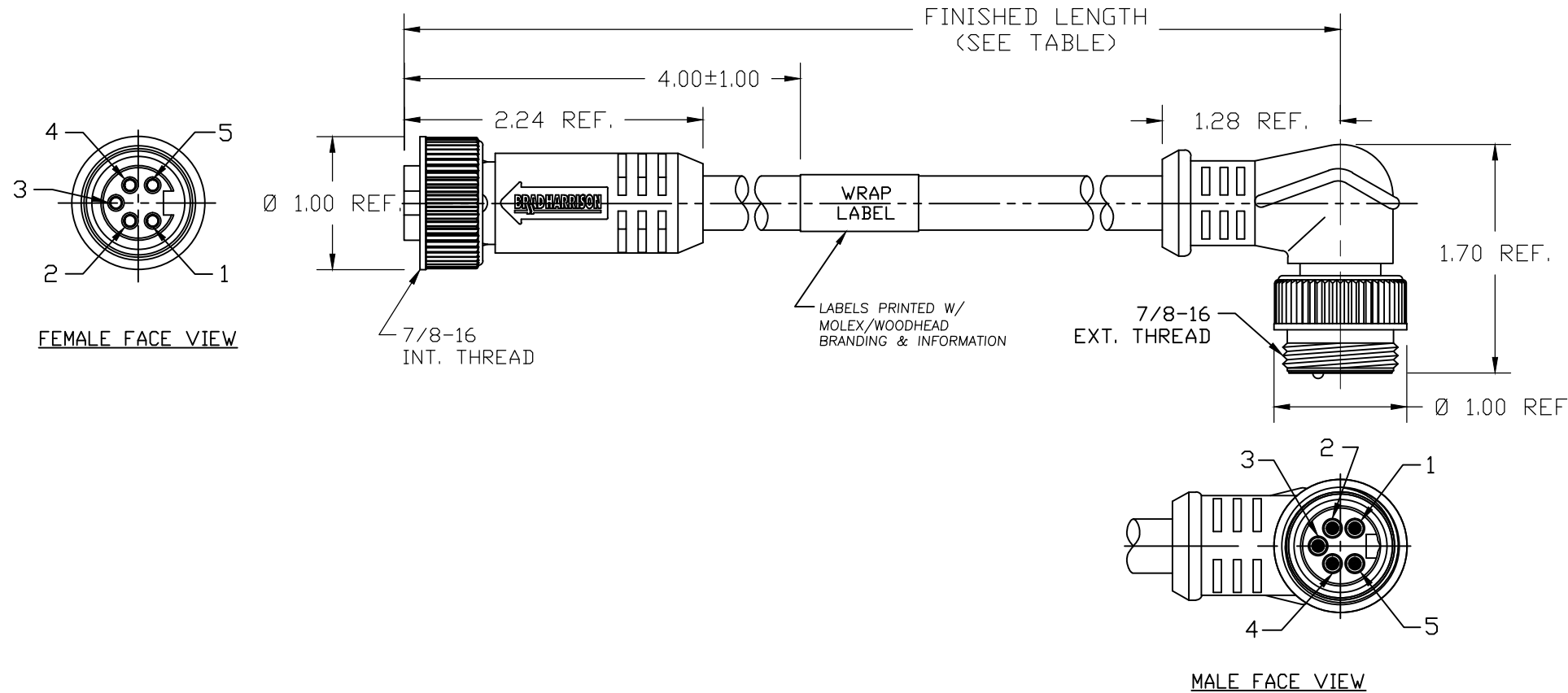


PART NO.	ENGINEERING NO.	FINISHED LENGTH
1300100113	115032K13M010	1.0M+55.6mm-0 [3'3"+2.19-0]
1300100114	115032K13M020	2.0M+88.9mm-0 [6'7"+3.50-0]

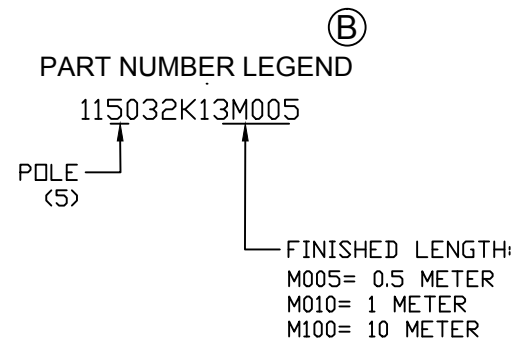
CHART  
B



**SPECIFICATIONS:**

COUPLING NUT MATERIAL: ZINC DIECAST WITH BLACK ELECTROPHORETIC COATING  
 CONTACT MATERIAL: GOLD/NICKEL OVER COPPER ALLOY  
 INSERT MATERIAL: YELLOW TPE  
 OVERMOLD MATERIAL: YELLOW TPE  
 CABLE: #16/5 YELLOW TPE  
 TC-ER & FT4 RATED  
 ASSEMBLY RATING: 600V, 10A PER UL2238  
 400V, 10A PER IEC60664 B

1	WHITE	1
2	RED	2
3	GREEN/YELLOW	3
4	ORANGE	4
5	BLACK	5



**CABLE LENGTH TOLERANCES**  
 B

>.3M [1FT]:	+19mm-0 [ +.75in-0]
.3 - .9M [1 - 3FT]:	+44.5mm-0 [+1.75in-0]
.9 - 1.8M [3 - 6FT]:	+55.6mm-0 [+2.19in-0]
1.8 - 3.7M [6 - 12FT]:	+88.9mm-0 [+3.50in-0]
3.7 - 7.3M [12 - 24FT]:	+165.1mm-0 [+6.50in-0]
7.3-14.6M [24 - 48FT]:	+317.5mm-0 [+12.50in-0]
14.6 - 30.5M [48-100FT]:	+622.3mm-0 [+24.50in-0]
OVER 30M [100FT]:	+2% OF FINISHED LENGTH

ENVIRONMENTAL: -40°C TO 90°C B  
 IP67 WHEN MATED  
 AGENCY APPROVALS: UL LISTED PER FILE E152210 B

**MECHANICAL CHARACTERISTICS:** B

TORSIONAL FLEX TEST	20 MILLION CYCLES PER MIL-C-13777G
BEND FLEX TEST	20 MILLION CYCLES PER MIL-C-13777G
WELD SLAG RESISTANCE	WOODHEAD STANDARD S-300

REVC UPDATE TEMP EC NO: IPG2018-0001 DRWN: AAKHTAR 2017/07/06 CHKD: MZIELIN 2017/07/12 APPR: BWOODMAN 2013/04/05 B	QUALITY SYMBOLS ▽=0 ▽C=0	GENERAL TOLERANCES (UNLESS SPECIFIED)		DIMENSION STYLE <b>INCH ONLY</b>		SCALE 1:1	DESIGN UNITS INCH	THIRD ANGLE PROJECTION		
		4 PLACES	±---	±---	DRAWN BY	DATE	TITLE <b>MINI-CHANGE CORDSET          5P MALE/FEMALE 90/ST          #16/5 TPE CABLE</b>			
		3 PLACES	±---	±.005	VOU	2012/02/20				
		2 PLACES	±0.13	±.010	CHECKED BY	DATE	MOLEX INCORPORATED			
1 PLACE	±0.25	±.020	TWOLDEGE	2013/03/04						
ANGULAR ±.5°		DRAFT WHERE APPLICABLE MUST REMAIN WITHIN DIMENSIONS		APPROVED BY DATE JFMURPHY 2013/04/05		MATERIAL NO. <b>SEE CHART</b>		DOCUMENT NO. <b>SD-130010-022</b>	SHEET NO. <b>1 OF 1</b>	
THIS DRAWING CONTAINS INFORMATION THAT IS PROPRIETARY TO MOLEX INCORPORATED AND SHOULD NOT BE USED WITHOUT WRITTEN PERMISSION										