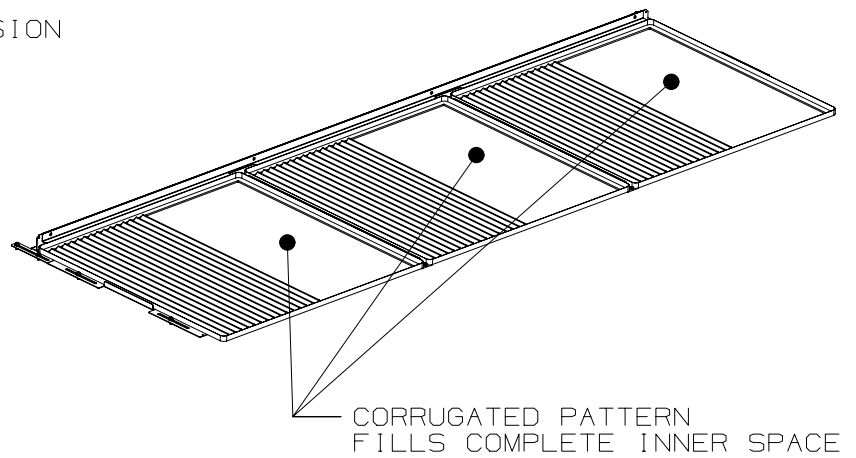
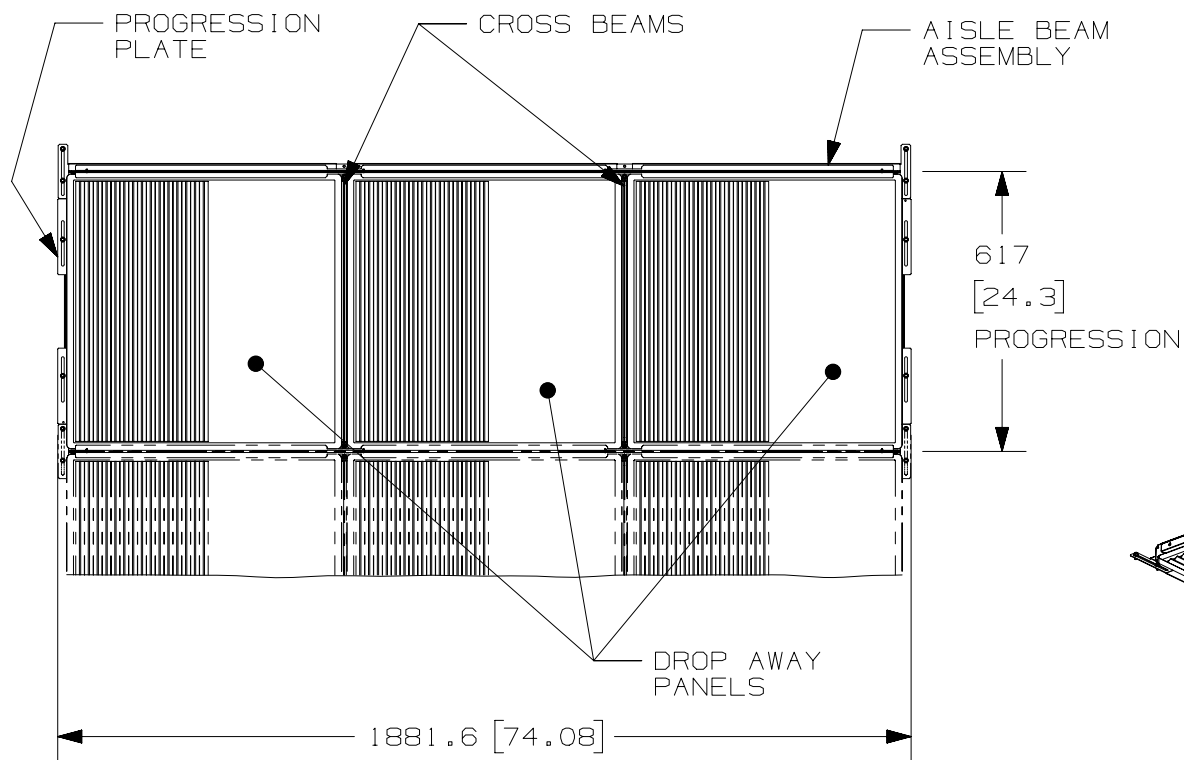


THIS COPY IS PROVIDED ON A RESTRICTED BASIS AND IS NOT TO BE USED IN ANY WAY DETRIMENTAL TO THE INTERESTS OF PANDUIT CORP.

PANDUIT P/N	DESCRIPTION	COLOR	WEIGHT
CUCGF06DPB1	CEILING GRID	BLACK	4.2 Kg/EACH [ 9.2 LBS/EACH ]
CUCGF06DPW1	CEILING GRID	WHITE	4.2 Kg/EACH [ 9.2 LBS/EACH ]

1. VISIT OUR ON-LINE CATALOG AT WWW.PANDUIT.COM FOR A LIST OF CURRENT PARTS APPLICABLE FOR USE WITH THIS PRODUCT.
2. PARTS SUPPLIED:  
3- DROP AWAY PANELS  
1- AISLE BEAM ASSEMBLY  
2- STOP/PROGRESSION PLATES  
2- CROSS BEAMS  
1- HARDWARE KIT  
1- INSTRUCTION SHEET
3. PRIMARY DIMENSIONS ARE IN MILLIMETERS.
4. DROP AWAY PANELS ARE FM APPROVED CLASS NUMBER 4651
5. FOR USE WITH PANDUIT 1800mm WIDTH AISLE NET-CONTAIN UNIVERSAL AISLE CONTAINMENT (UAC) SYSTEM.
6. ORDER ONE KIT PER 617mm OF POD LENGTH, ROUND UP ALL FRACTIONAL VALUES.
7. SEE CUSTOMER DRAWINGS 00047NWF FOR RELATED COMPONENTS.



D10100DA/16

00A	5-8-18	LEE	MSH	SJP	RELEASED TO PRODUCTION				V09001QD/01
REV	DATE	BY	CHK	APR	DESCRIPTION	ECN			

TITLE		DROP AWAY CEILING GRID - 1800mm (CUCGF06DP**) CUSTOMER DRAWING	
ITEM REVISION NAME		00047NWE/00	
DATASET FILE NAME		00047NWE_DC/00A	
MATERIAL:		N/A	
DRAWING NUMBER:		00047NWE - DC	
THIRD ANGLE PROJECTION			
DRAWN BY	DATE	CHK	SCALE
LEE	5-8-18	MSH	NONE
SHT 1 OF 1		SIZE A	