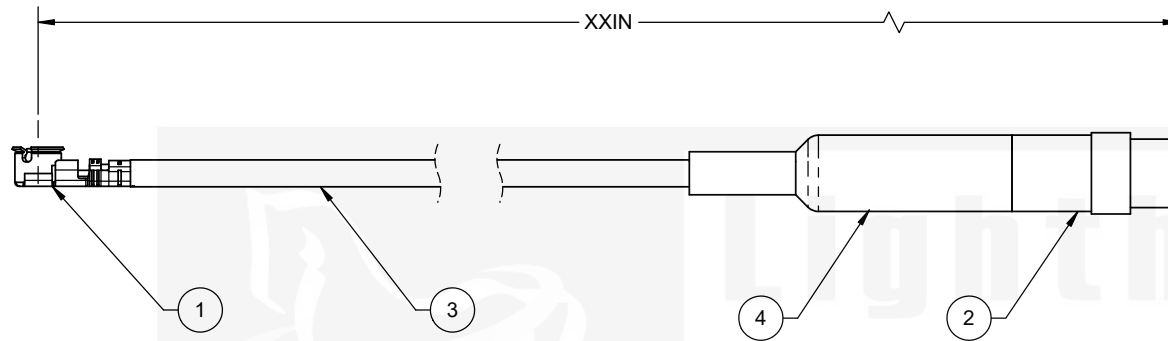


-XX IN THE ENDING OF THE CABLE PART NUMBER IS CALLING OUT THE LENGTH OF THE ASSEMBLY FROM CENTER TO MATING FLANGE OF CONNECTORS. EXAMPLES SHOWN BELOW:

LTI P/N: CB1.37-IPX-MCFGT-4IN (4 INCHES)
 CB1.37-IPX-MCFGT-10IN (10 INCHES)





SCALE: NONE

ITEM	PART NUMBER	DESCRIPTION	QTY
1	IPXLF11GPB-137	IPX (MHF1), RHT ANGLE, JACK, CABLE CRIMP (I-PEX 20351-112R-37)	1
2	MCSF11GT-316	MMCX, STRAIGHT, JACK, CABLE CRIMP	1
3	1.37 MICRO COAX	CABLE, 1.37 MICRO COAX, BLUE	AR
4	1635F-1/8"	.125 (1/8) DIA, .75 LENGTH, GREEN	1

REVISIONS				
REV	ECR	DESCRIPTION	DRAWN	DATE
1		PRODUCTION RELEASE	M. LARSEN	07/29/2022

IPX® AND MHF® ARE REGISTERED TRADEMARKS OF I-PEX CO., LTD. CORPORATION

DO NOT SCALE DRAWING		 Lighthouse Technologies San Diego, CA WWW.IPEXCONNECTOR.COM
TOLERANCES UNLESS OTHERWISE SPECIFIED DIMENSIONS ARE IN MILLIMETERS X = ±0.5 XX = ±0.25 XXX = ±0.13 ANGLE = ±30°		
THIRD ANGLE PROJECTION 		TITLE: CABLE ASSEMBLY, IPX (MHF1), R/A JACK, CRIMP TO MMCX, JACK, CRIMP USING 1.37 MICRO COAX
CUSTOMER APPROVAL SIGN / DATE:		SIZE: B PART/DWG. NO.: CB1.37-IPX-MCFGT-xxIN REV: A
ENG APPR. P. BURDGE 07/29/2022 CHECKED M. HELD 07/29/2022 DRAWN M. LARSEN 07/29/2022 NAME DATE	SCALE: 4:1 FILE NAME SHEET 1 OF 1	

PROPRIETARY AND CONFIDENTIAL

UNLESS OTHERWISE SPECIFIED: THIS DOCUMENT CONTAINS LIGHTHORSE TECHNOLOGIES INFORMATION. REPRODUCTION, USE, DISCLOSURE OR TRANSMITTAL OF ALL OR ANY PART OF THIS DOCUMENT IS PROHIBITED EXCEPT TO THE EXTENT APPROVED IN WRITING BY AN AUTHORIZED REPRESENTATIVE OF LIGHTHORSE TECHNOLOGIES. LIGHTHORSE TECHNOLOGIES RESERVES ALL RIGHTS UNDER PATENTS, TRADEMARKS, COPYRIGHTS AND TRADE SECRETS. COPY RIGHTS OF LIGHTHORSE TECHNOLOGIES 2011, ALL RIGHTS RESERVED.

