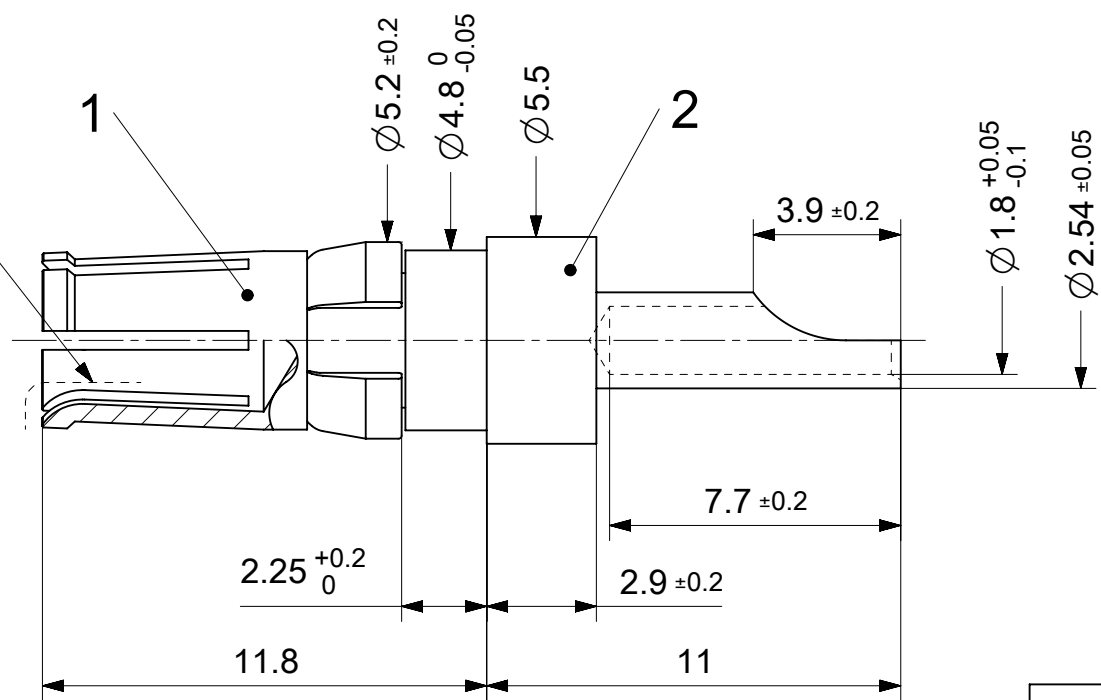


2:1

Contact area



RoHS compliant  
by exemption

1727040154	FMP005S103	103
1731120308	FMP005S105	105
1731120039	FMP005S203	203
Material Number	FCT Part Number	Material + Finish See extra sheet

UNLESS OTHERWISE SPECIFIED DIMENSIONS FOR REFERENCE ONLY				REPLACEMENT FOR DOCUMENT NUMBER: FMP005S			
THIS DRAWING CONTAINS INFORMATION THAT IS PROPRIETARY TO MOLEX ELECTRONIC TECHNOLOGIES, LLC AND SHOULD NOT BE USED WITHOUT WRITTEN PERMISSION							
FUNCTIONAL SYMBOLS	FA = 0	DIMENSION UNITS	SCALE	CURRENT REV DESC:  EC NO: 686935 DRWN: FVETTER 2021/11/29 CHK'D: MTEUBEL 2021/11/30 APPR: MTEUBEL 2021/11/30  INITIAL REVISION: DRWN: VLOKESHA 2021/03/30 APPR: MTEUBEL 2021/11/25			
	FE = 0	mm	5:1				
	FP = 0	GENERAL TOLERANCES (UNLESS SPECIFIED)					
	ANGULAR TOL ± °						
	4 PLACES ±						
DIVISIONAL SYMBOLS	3 PLACES ±	PRODUCT CUSTOMER DRAWING		DOCUMENT NUMBER			
	2 PLACES ±	FCT 10A HIGH POWER CONTACT FOR D-SUB		1727040154		DOC TYPE	DOC PART
	1 PLACE ±	PRODUCT CUSTOMER DRAWING		PSD	000	REVISION	
	0 PLACES ±	PRODUCT CUSTOMER DRAWING		A1			
	DRAFT WHERE APPLICABLE MUST REMAIN WITHIN DIMENSIONS		FIRST ANGLE PROJECTION	DRAWING	SERIES	MATERIAL NUMBER	CUSTOMER
			A4-SIZE	172704	SEE TABLE	GENERAL MARKET	1 OF 1

DOCUMENT STATUS	P1	RELEASE DATE	2021/11/30	09:44:56
-----------------	----	--------------	------------	----------