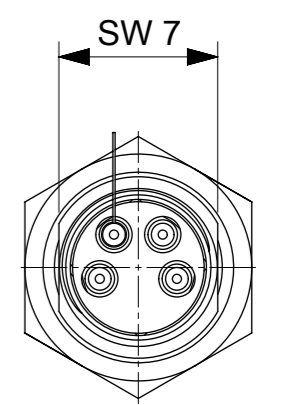
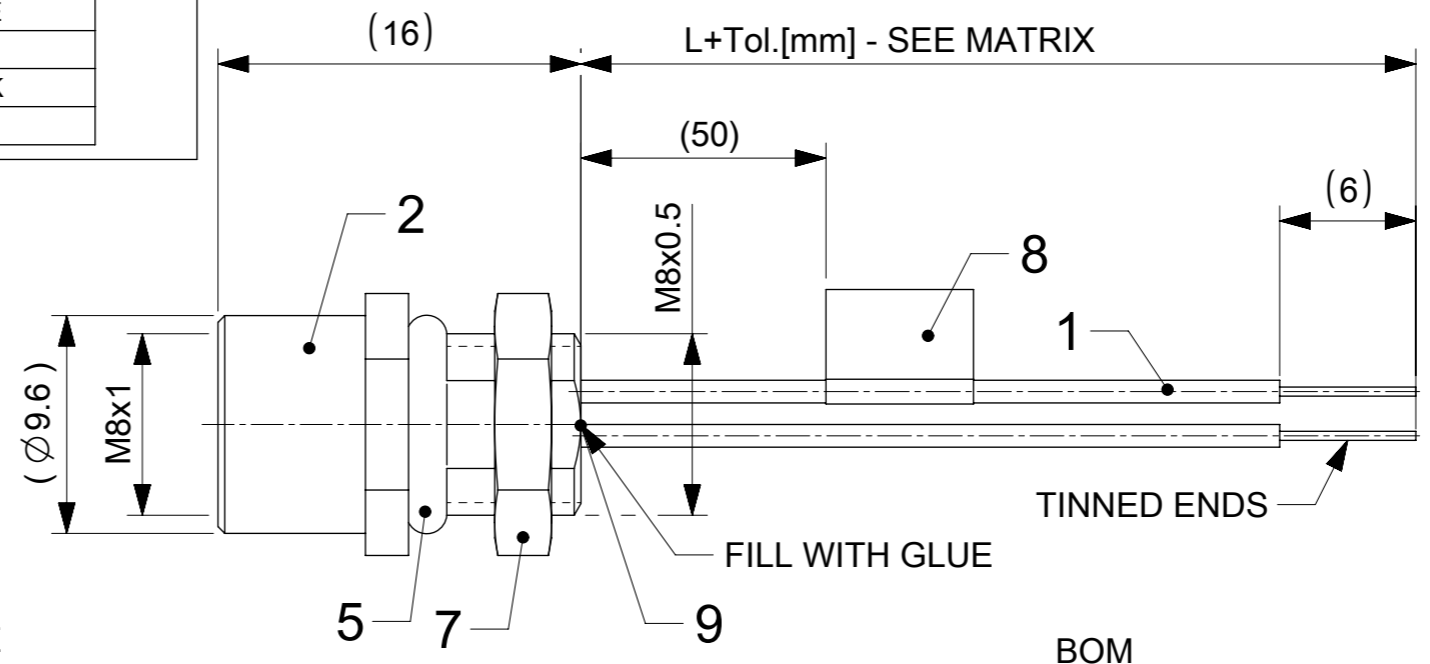
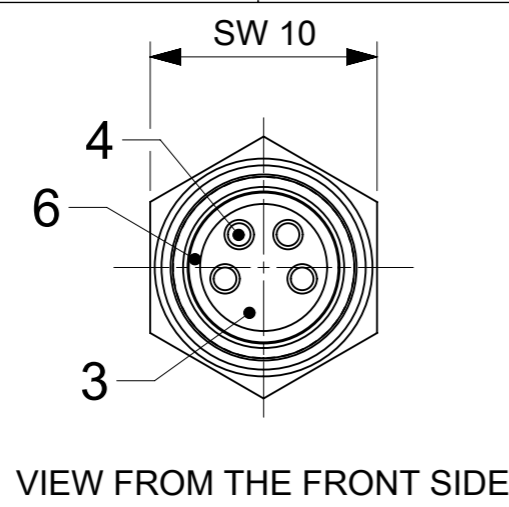


## PART No. MATRIX

**4 R X F 3 0 E 0 2 X X X X X**

- 4R = M8 REC
- Poles: 4 = 4 Poles, 5 = 5 Poles, 8 = 8 Poles
- Shell Type
- Wires E02 = 0.25mm<sup>2</sup> PVC
- Units: M = Meters, C = Centimeters
- Length Examples: 005 = 0.5 unit, 010 = 1 unit, 100 = 10 units
- Shell material: Blank = Aluminum, 1 = stainless steel, 3 = brass with nickel plated

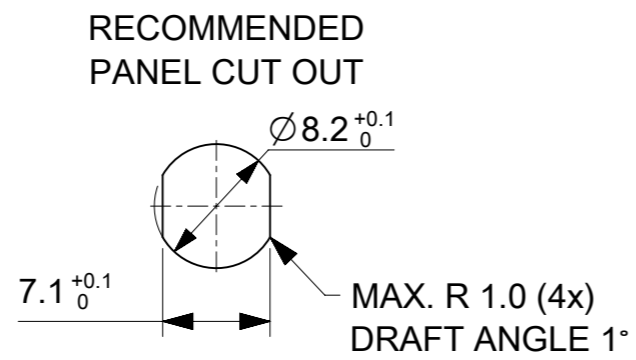


M8 3-4-5P A-B Code:  
 ELECTRICAL DATA:  
 3P VOLTAGE RATING: 60V  
 4-5P VOLTAGE RATING: 30V  
 AMPERAGE RATING: 3A  
 INSULATION RESISTANCE: 10<sup>8</sup> Ω MIN.  
 MATING CYCLES: MIN. 100

ENVIRONMENTAL:  
 PROTECTION: IP65 in mated and locked position.  
 OPERATING TEMPERATURE: -25°C TO +85°C

### PART LIST

MOLEX PN	ENGINEERING NO.	LENGTH (MM)
1200905071	4R3F30E02C200	2000
1200310015	4R3F30E02C3003	3000
1200310053	4R3F30E02M0203	2000
1200905076	4R4F30E02C200	2000
1200908035	4R4F30E02C2103	2100
1200908011	4R4F30E02C300	3000
1200310049	4R4F30E02C3003	3000
1200905106	4R5F30E02C200	2000
1200310028	4R5F30E02C3003	3000

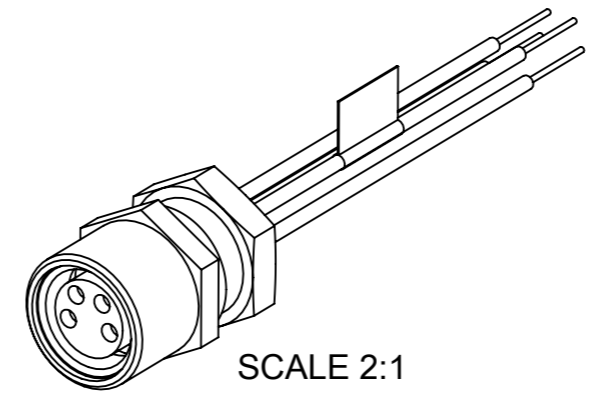


### Table of length tolerances [mm]

Over	Up to and including	Tolerance
0	305	+19
305	915	+45
915	1830	+56
1830	3660	+89
3660	7320	+165
7320	14640	+317
14640	30500	+610
30500	>	+2% of length

### BOM

ITEM	QTY	DESCRIPTION	MATERIAL	FINISH/COLOR
9	-	POTTING MATERIAL	WEVO	-
8	1	LABEL	VINYL	YELLOW
7	1	LOCKNUT M8X0.5	BRASS	NICKEL PLATED
6	1	GASKET	FKM	RED
5	1	O-RING	NBR	BLACK
4	3/4/5	CONTACT 10 FE	BRONZE	GOLD OVER NICKEL PLATED
3	1	INSERT M8 FE 5P	ELASTOLLAN	BLACK
2	1	REC SHELL M8(FE)XM8(M)	BRASS	NICKEL PLATED
1	-	WIRE;24AWG;OD=1.43mm	PVC	GRAY
	-	WIRE;24AWG;OD=1.43mm		BROWN
	-	WIRE;24AWG;OD=1.43mm		WHITE
	-	WIRE;24AWG;OD=1.43mm		BLUE
	-	WIRE;24AWG;OD=1.43mm		BLACK



THIS DRAWING CONTAINS INFORMATION THAT IS PROPRIETARY TO MOLEX ELECTRONIC TECHNOLOGIES, LLC AND SHOULD NOT BE USED WITHOUT WRITTEN PERMISSION

FUNCTIONAL SYMBOLS:  $\nabla/\bar{A}$  = 0,  $\nabla/\bar{E}$  = 0,  $\nabla/\bar{F}$  = 0

DIVISIONAL SYMBOLS:  $\nabla/\bar{A}$  = 0,  $\nabla/\bar{E}$  = 0,  $\nabla/\bar{F}$  = 0

DRAWING DIMENSIONS: 3 PLACES ±, 2 PLACES ± 0.05, 1 PLACE ± 0.3, 0 PLACES ± 0.5

DRAFT WHERE APPLICABLE MUST REMAIN WITHIN DIMENSIONS

THIRD ANGLE PROJECTION:

DRAWING: A3-SIZE

SERIES: 120090

MATERIAL NUMBER: SEE PART LIST

CUSTOMER: GENERAL MARKET

SHEET NUMBER: 1 OF 1

EC NO: 702547  
 DRWN: MDHARMANTI 2022/04/05  
 CHK'D: RSILLER 2022/04/08  
 APPR: RSILLER 2022/04/08

INITIAL REVISION:  
 DRWN: MDHARMANTI 2022/04/05  
 APPR: RSILLER 2022/04/08

DOCUMENT NUMBER: 1200905076

DOC TYPE: PSD

DOC PART: 000

REVISION: A

**molex**

REC M8 5P BC FE STR PVC M8 FM WIR UNSH

PRODUCT CUSTOMER DRAWING

CURRENT REV DESC: MIGRATED AND REVISED

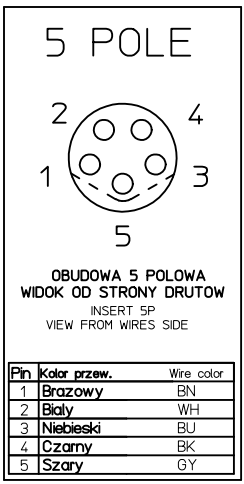
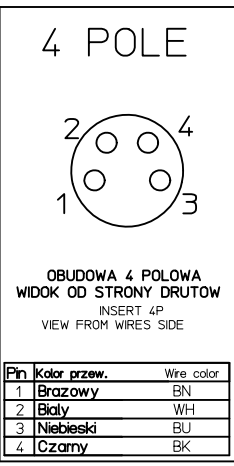
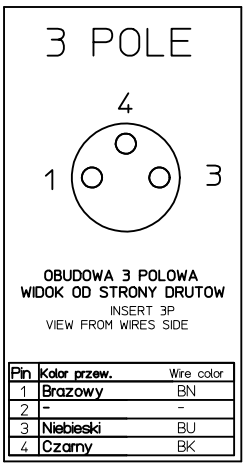


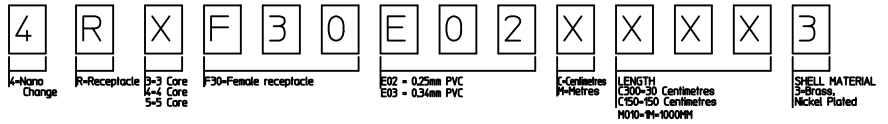
TABELA 1  
CHART 1

MOLEX PN	WOODHEAD PN	L(mm)	TYP
1200310015	4R3F30E02C3003	300	3 POLOWY
1200310053	4R3F30E02M0203	2000	3 POLOWY
1200310034	4R4F30E02C2003	200	4 POLOWY
1200310049	4R4F30E02C3003	300	4 POLOWY
1200310058	4R4F30E02M0103	1000	4 POLOWY
1200310028	4R5F30E02C3003	300	5 POLOWY
1200310111	4R4F30E02M010	1000	4 POLOWY
1200905002	4R4F30E03M0203	2000	4 POLOWY
1200908011	4R4F30E02C300	300	4 POLOWY

Tablica tolerancji dlugosci  
Table of length tolerances

Powyzej Over	Do-wlacznice Up to and including	Tolerancja (+) Tolerance
0	305	+19
305	915	+45
915	1830	+56
1830	3660	+89
3660	7320	+165
7320	14640	+317
14640	30500	+610
30500	>	+2% dlugosci of length

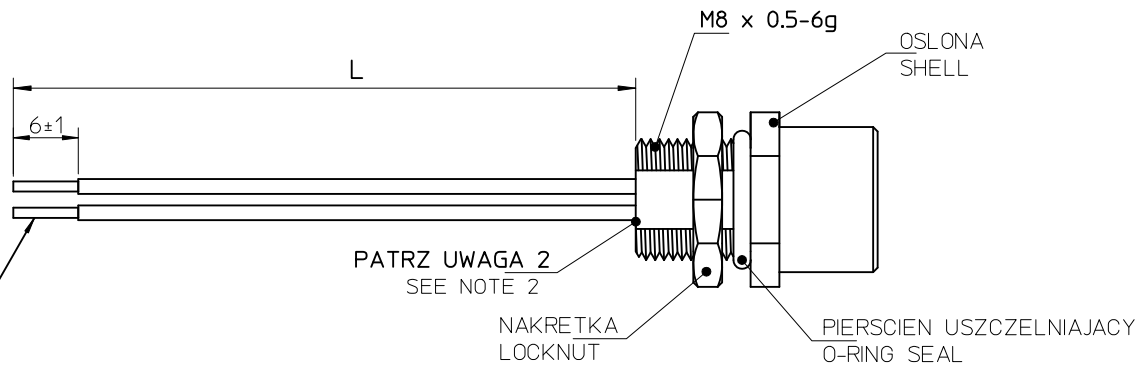
PART No MATRIX



WIDOK OD STRONY CZOLA  
FACE VIEW



CYNOWAC  
TINNED



PATRZ UWAGA 2  
SEE NOTE 2

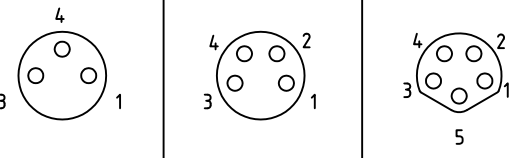
- UWAGI:
- DLUGOSC CIECIA I SPECYFIKACJE NABIJANIA WEDLUG LISTY CIECIA.
  - PO OSADZENIU TERMINALI ZALAC KLEJEM.

- NOTES:
- FOR CUTTING LENGTH AND CRIMPING SPECIFICATION SEE CUTTING LIST.
  - AFTER ASSEMBLED TERMINALS THE CONNECTOR MUST BE FLOOD BY GLUE.

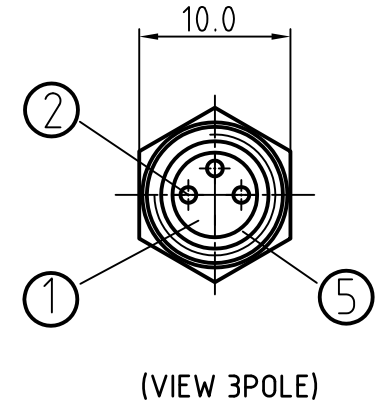
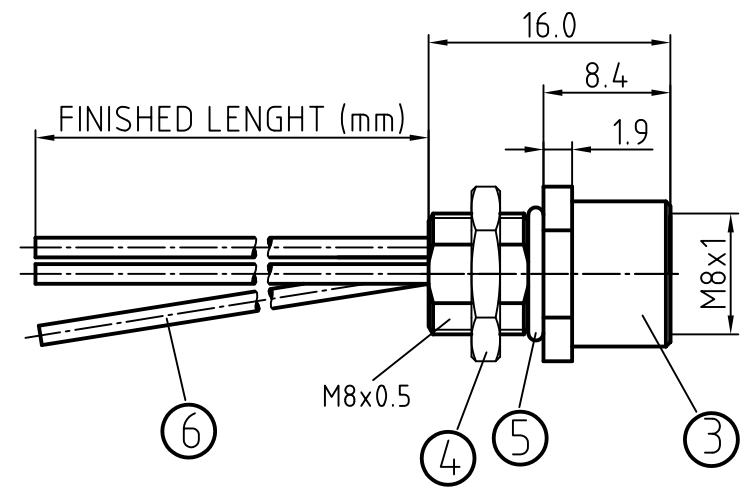
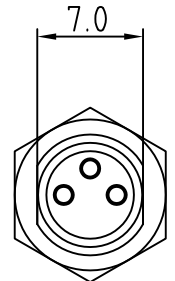
ORIGINAL RELEASE EC NO: WEU2009-0439 DRWN: MWOLSZCZAK 2009/06/04 CHKD: APPR: MDYSZEWSKA 2011/12/08	QUALITY SYMBOLS ▽=0 ◻=0	GENERAL TOLERANCES (UNLESS SPECIFIED)		DIMENSION STYLE MM ONLY		SCALE ---	DESIGN UNITS METRIC	FIRST ANGLE PROJECTION		
		mm	INCH	DRAWN BY MWOLSZCZAK	DATE 2008/05/10	TITLE NC-XP-FE-REC-XXXXM-M8-THD.				
		4 PLACES ± ---	± ---	CHECKED BY MDABROWSKA	DATE 2008/05/10	MOLEX INCORPORATED				
		3 PLACES ± ---	± ---	APPROVED BY MDYSZEWSKA	DATE 2011/12/08					
2 PLACES ± ---	± ---	ANGULAR ± ---°		MATERIAL NO. SEE DRAWING	DOCUMENT NO. 4RXF30XXXXXXX3	SHEET NO. 1 OF 1				
1 PLACE ± ---	± ---	DRAFT WHERE APPLICABLE MUST REMAIN WITHIN DIMENSIONS		THIS DRAWING CONTAINS INFORMATION THAT IS PROPRIETARY TO MOLEX INCORPORATED AND SHOULD NOT BE USED WITHOUT WRITTEN PERMISSION						

FEMALE FACE VIEW

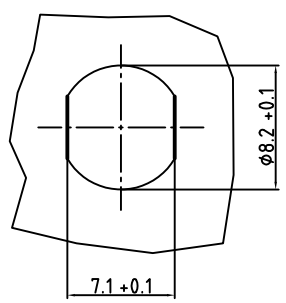
3 POLE      4 POLE      5 POLE



Pin No.	Wire	Pin No.	Wire	Pin No.	Wire
1	Brown	1	Brown	1	Brown
2	-	2	White	2	White
3	Blue	3	Blue	3	Blue
4	Black	4	Black	4	Black
				5	Grey



PANEL CUT OUT



POLE	MATERIAL NUMBER	ENGINEERING NUMBER	FINISHED LENGHT (MM)
3	1200310015	4R3F30E02C3003	300±25
4	1200310034	4R4F30E02C2003	200±25
5	1200310028	4R5F30E02C3003	300±25

CONNECTOR SPECIFICATION:	
VOLTAGE RATING	3-4POL:60V/AC 75V/DC 5POL:30V/AC 36V/DC
AMPERAGE RATING	3 AMPS
PROTECTION	IP67
OPERATING TEMPERATURE	-25°C TO +90°C

ITEM	COMPONENT	MATERIAL	FINISH
1	INSERT	POLYURETHANE (PUR)	BLACK
2	CONTACT SOCKET	COPPER ALLOY	GOLD OVER NICKEL
3	SHELL	BRASS	NICKEL PLATED
4	LOCKNUT	BRASS	NICKEL PLATED
5	O-RING	VITON	
6	COPPER STRANDING AWG24/0.25mm <sup>2</sup>	JACKET: PVC	

DESCRIPTION EC NO: WEU2010-0338 DRWN: REISSNER 2010/02/18 CHKD: RE APPR: FPACHER 2010/02/24	QUALITY SYMBOLS	GENERAL TOLERANCES (UNLESS SPECIFIED)	DIMENSION STYLE	SCALE	DESIGN UNITS	THIRD ANGLE PROJECTION
	▽ = 0 ▽ = 0	mm    INCH 4 PLACES ± ---    ± --- 3 PLACES ± ---    ± --- 2 PLACES ± ---    ± --- 1 PLACE ± 0.1    ± --- ANGULAR ± --- °	MM ONLY	2:1	METRIC	
		DRAFT WHERE APPLICABLE MUST REMAIN WITHIN DIMENSIONS	SEE TABLE			
	1					
			DRAWN BY DATE REISSNER 2010/02/18 CHECKED BY DATE FP 2010/02/18 APPROVED BY DATE FPACHER 2010/02/19		NC-XP-FE-REC-XM AWG24-PVC FRONT MOUNT	
			MATERIAL NO. SIZE A3	DOCUMENT NO. SD-120090-028	MOLEX INCORPORATED SHEET NO. 1 OF 1	
			THIS DRAWING CONTAINS INFORMATION THAT IS PROPRIETARY TO MOLEX INCORPORATED AND SHOULD NOT BE USED WITHOUT WRITTEN PERMISSION			