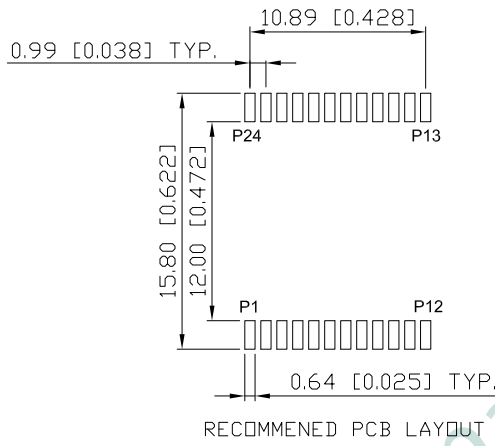
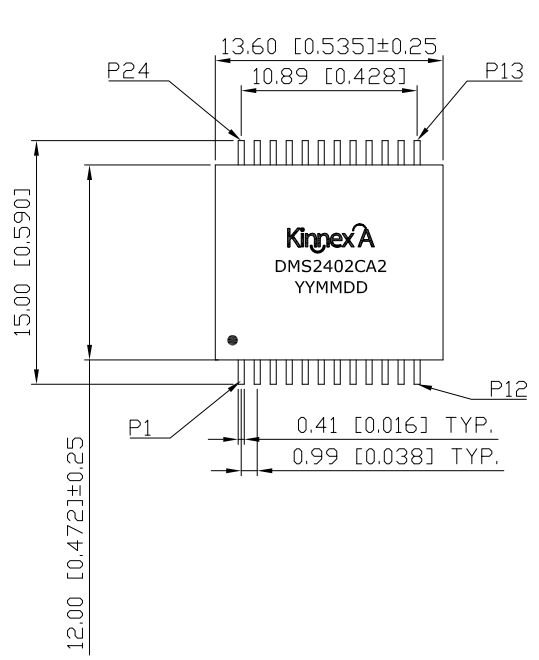


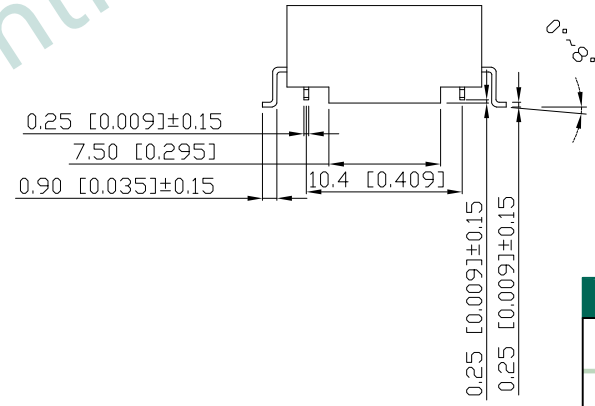
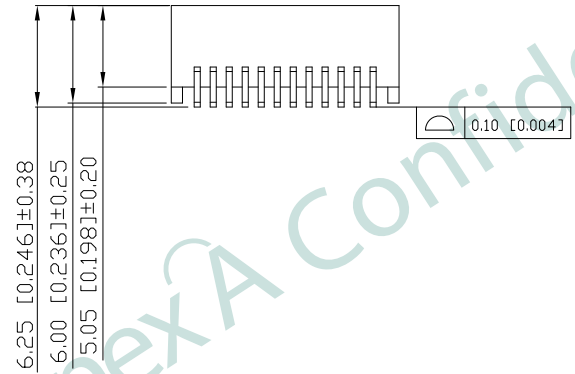
1. MECHANICAL DIMENSIONS :

REV.	DATE	DESCRIPTION
01	Dec. 24, '20	1st RELEASE



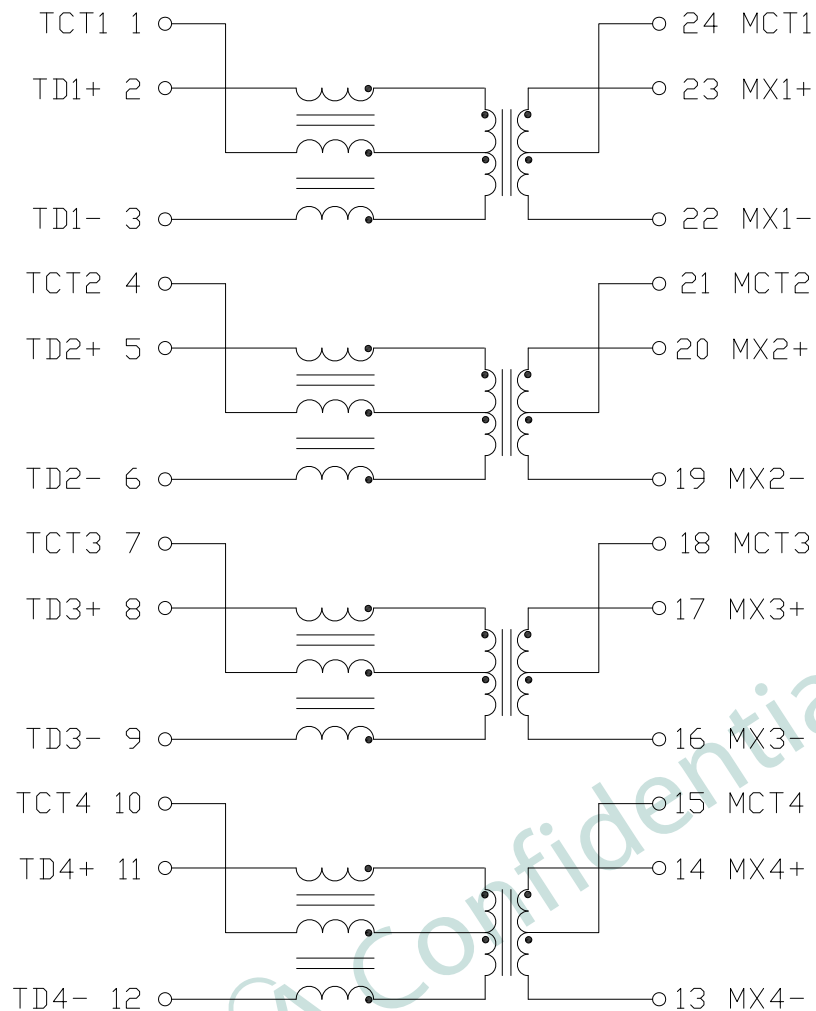
SPECIFICATION

- DESIGNED FOR ETHERNET 10G BASE-T, FULL SINGLE PORT APPLICATIONS.
- SUPPORTS 4 PAIRS OF CATEGORY 6A OR GREATER CABLE.
- CABLE INTERFACE FOR ISOLATION AND LOW COMMON MODE EMISSIONS.
- DESIGN TO MEET IEEE 802.3AN SPECIFICATION.
- OPERATING TEMPERATURE: 0°C ~ +70°C
- UNSPECIFIED TOLERANCE: .XX ±0.13[0.005]  
.X ±0.25[0.009]



PART NO		KTFZ-DMS2402CA2-XXX		
TITLE	10G BASE-T TRANSFORMER MODULES			
REV : 01				
UNIT	DRAWN	CHKD	DATE	SHEET
mm[inch]	CINDY	VINCENT	Dec. 24, '20	1 of 3

2. SCHEMATIC :



3. ELECTRICAL CHARACTERISTICS :

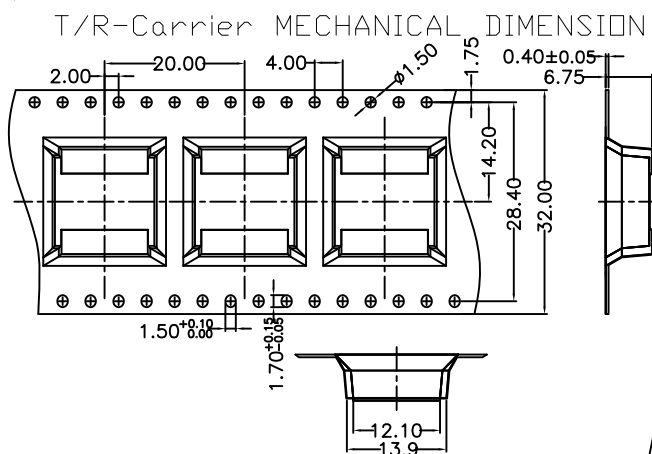
TEST NOTES:(25°±5°C)

TYPE: BALANCE LOW PASS 100Ω IMPEDANCE

- INSERTION LOSS:
  - 0.8dB MAXIMUM AT 1MHz
  - 0.8dB MAXIMUM AT 20MHz
  - 1.0dB MAXIMUM AT 50MHz
  - 1.2dB MAXIMUM AT 200MHz
  - 2.0dB MAXIMUM AT 400MHz
  - 3.0dB MAXIMUM AT 500MHz
- RETURN LOSS:
  - 20dB MINIMUM AT 1MHz (LOAD 100Ω)
  - 20dB MINIMUM AT 100MHz (LOAD 100Ω)
  - 18dB MINIMUM AT 200MHz (LOAD 100Ω)
  - 15dB MINIMUM AT 300MHz (LOAD 100Ω)
  - 10dB MINIMUM AT 400MHz (LOAD 100Ω)
  - 8dB MINIMUM AT 500MHz (LOAD 100Ω)
- REFLECTED CM TO DIFF CONVERSION (RFF):
  - 30dB MINIMUM AT 50MHz
  - 27dB MINIMUM AT 100MHz
  - 24dB MINIMUM AT 200MHz
  - 22dB MINIMUM AT 300MHz
  - 21dB MINIMUM AT 400MHz
  - 20dB MINIMUM AT 500MHz
- REFLECTED DIFF TO CM CONVERSION (RFF):
  - 48dB MINIMUM AT 1MHz
  - 35dB MINIMUM AT 100MHz
  - 24dB MINIMUM AT 400MHz
  - 24dB MINIMUM AT 500MHz
- CM TO DM CONVERSION (RFF):
  - 48dB MINIMUM AT 50MHz
  - 42dB MINIMUM AT 100MHz
  - 36dB MINIMUM AT 200MHz
  - 33dB MINIMUM AT 300MHz
  - 30dB MINIMUM AT 400MHz
  - 28dB MINIMUM AT 500MHz
- CM TO CM ATTENUATION:
  - 22dB MINIMUM AT 1MHz
  - 20dB MINIMUM AT 500MHz
  - 20dB MINIMUM AT 800MHz
  - 17dB MINIMUM AT 1000MHz
- CROSS TALK:
  - 34dB MINIMUM AT 1MHz
  - 23dB MINIMUM AT 350MHz
  - 23dB MINIMUM AT 500MHz
- INDUCTANCE:
  - @100KHz, 0.1V, 8mA DC BIAS
  - 160uH MINIMUM
- HI-POT TEST: @1500 Vrms
- TURNS RATIO: @1:1±5%

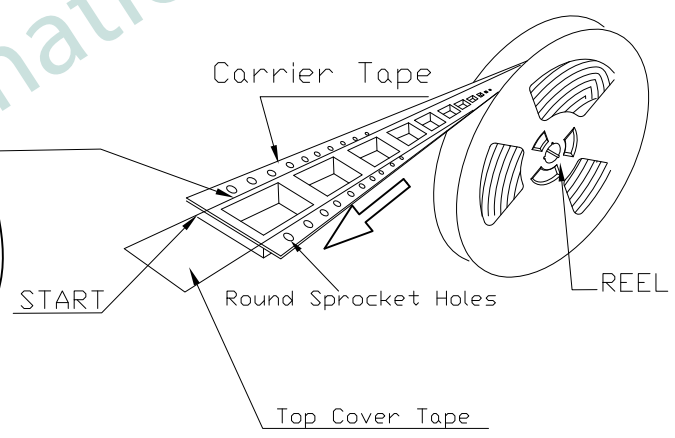
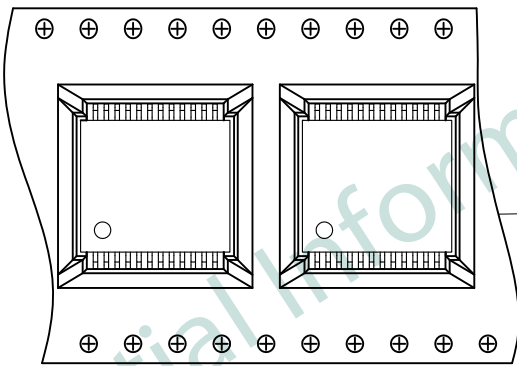
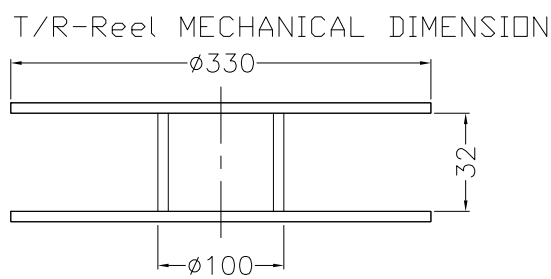
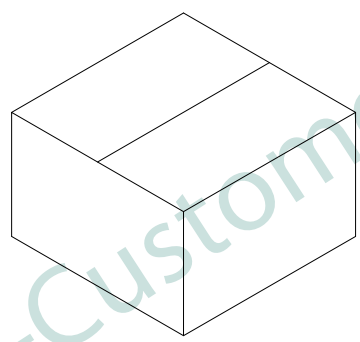
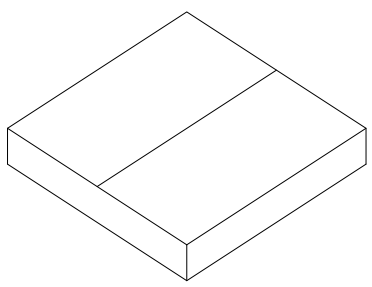
PART NO		KTFZ-DMS2402CA2-XXX		
TITLE	10G BASE-T TRANSFORMER MODULES			
REV : 01				
UNIT	DRAWN	CHKD	DATE	SHEET
mm[inch]	CINDY	VINCENT	Dec. 24, '20	2 of 3

4.PACKING SPECIFICATION:



INNER CARTON: 345(L) x 345(W) x 120(H)

EXPORT CARTON: 370(L) x 370(W) x 280(H)



- 1.1 REEL= 500PCS
  - 2.1 INNER BOX= 3 REEL= 1500PCS
  - 3.1 OUTER BOX= 2 INNER BOX= 3000PCS
- NOTE: 1. AFTER EACH ROLL IS PACKAGED, THE BLACK SEALING TAPE PROVIDED BY THE MANUFACTURER NEEDS TO BE WOUND ONCE TO SEAL THE PRODUCT.  
 2. AFTER FINISHING NOTE 1, PUT THE REEL INTO A PE BAG, VACUUM AND HEAT SEAL  
 3. COVER TAPE PULLING FORCE TEST RANGE: 0.1N-1.3N.

NAME	Q'TY
CARTON	1
INNER CARTON	2
REEL	6
PE BAG	6
DESICCANT	2

PART NO KTFZ-DMS2402CA2-XXX				
TITLE	10G BASE-T TRANSFORMER MODULES			
REV : 01				
UNIT	DRAWN	CHKD	DATE	SHEET
mm[inch]	CINDY	VINCENT	Dec. 24, '20	3 of 3