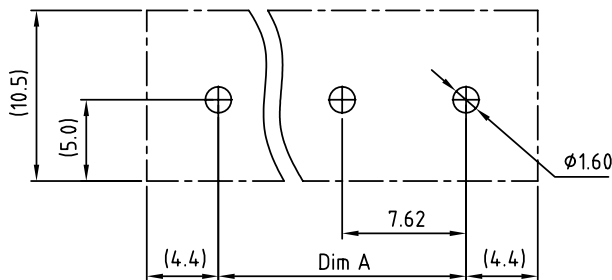
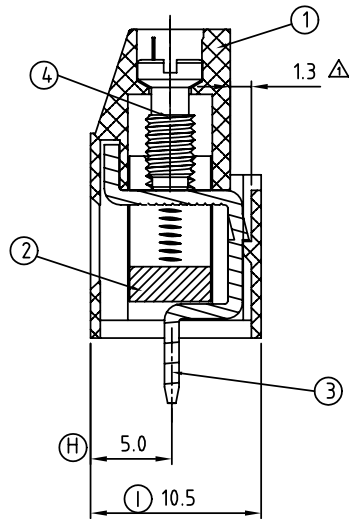
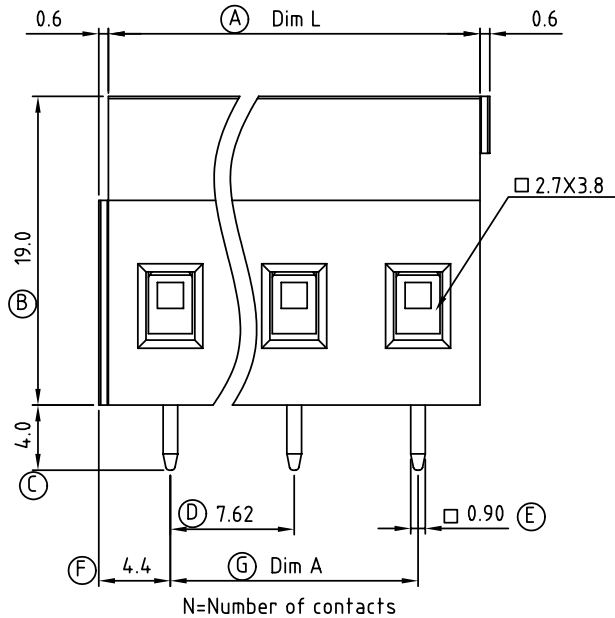


DIMENSION

Dim L	N×7.62	Poles	2p-6p	Tolerance	±0.15
Dim A	(N-1)×7.62		7p-12p		±0.25
			13p-16p		±0.35

N=Number of contacts



RECOMMENDED PCB LAYOUT

SIGN	DATE	DESCRIPTION	APPROVER
△	3/22/06	Hole size changed from 0.5mm to 1.3mm	Tony
△	01/12/07	Soldering temperature changed from 245° to 250°	Tason
△	01/12/07	Part NO is Changed	Tason
△	5/30/08	Body is Changed	Marvin
△	5/30/08	Operating temperature is Changed	Marvin
△	11/09/10	Add is " VDE "	Aaron

THIS IS CAD DRAWING, DO NOT REVISE MANUALLY!!!

Material:

- Item 1 Terminal housing:Thermoplastic (UL 94V-0)
- Item 2 Clamp: Brass Ni plated
- Item 3 Wire guard solder pin:Brass Tin plated
- Item 4 Terminal screw: Steel Zinc plating"- "slot type

- △ Electrical cULus VDE
- Voltage rating: 300VAC 750V
  - Current rating: 20A 24A
  - Wire range : 0.2-2.5mm<sup>2</sup>
  - Solid wire(AWG): 12-30
  - Stranded wire(AWG): 12-30
  - Torque(Lb-In): 3.5 0.5 N.m
  - Screw: M3
  - Wire strip length: 6-7mm
  - Withstanding Voltage: 1.6KV 3KV
  - △ ● Operating temperature: -40°C to +115°C
  - △ ● Soldering temperature: 250°C±10°C/5 Sec
  - Safety Approval:



△ VJ xx 61 x 2 xxxx G

		RoHS
		Pb<40,000ppm
No. of poles end stackable design	0 Black (RAL9005)	0000:"@Logo (Standard)
	2 Red (RAL3001/D)	000A:"ANYTEK"Logo
02 2 CONTACTS	3 Orange(RAL2011/P)	Any special item by
03 3 CONTACTS	4 Yellow(RAL1018/A)	customer request,
...	5 Green(RAL6018/T)	please contact sales
16 16 CONTACTS	6 Blue (RAL5015/A)	department.
	8 Grey(RAL7035/D)	

**ANYTEK**

**CUSTOMER COPY**

ALL RIGHTS RESERVED. REPRODUCTION OR ISSUE TO THIRD PARTIES IN ANY FORM WHATSOEVER IS NOT PERMITTED WITHOUT WRITTEN AUTHORITY FROM THE PROPRIETOR. PROPERTY OF ANYTEK TECHNOLOGY CO., LTD

TITLE	VJ-7.62 Series 2P-16P Horizontal ( 180D wire inlet )-----Without cover				
PART NO.	VJxx61x2xxxxG		DWG NO.	8VJ0303	
APPROVED	CHECKED	DESIGNED	DRAWN	CUST NO.	Tolerance
		Aaron 2010.11.09	Marvin 2008.05.30		X. ±0.50 X.X ±0.30 X.XX ±0.10 X° ±1°
				UNIT: mm	
				SCALE: NONE	
				SHEET: 01/01	REV.: F