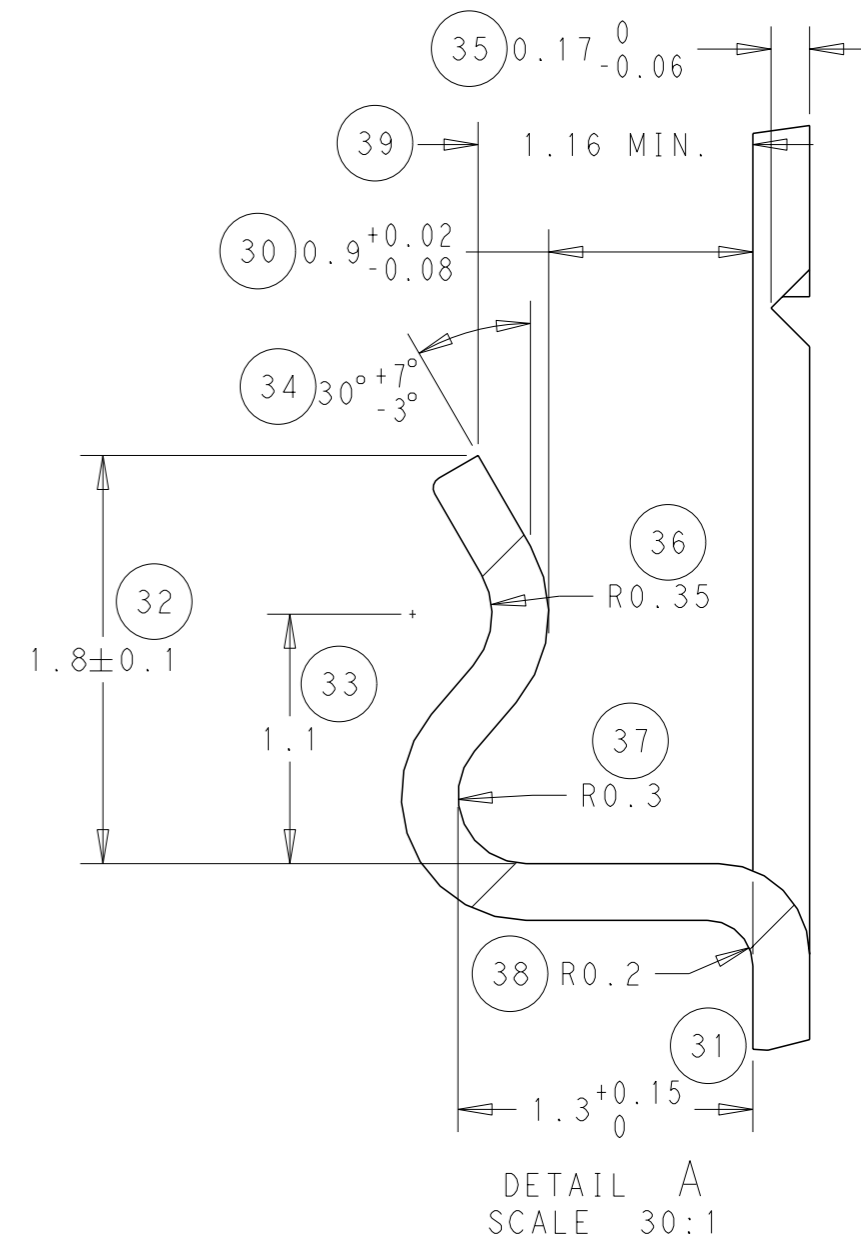
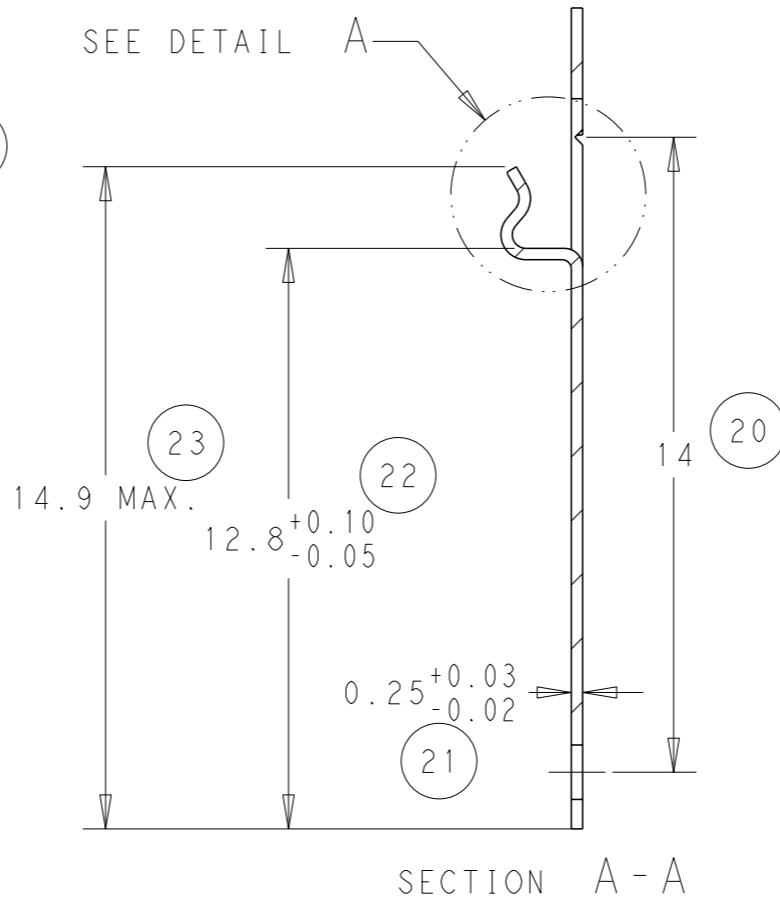
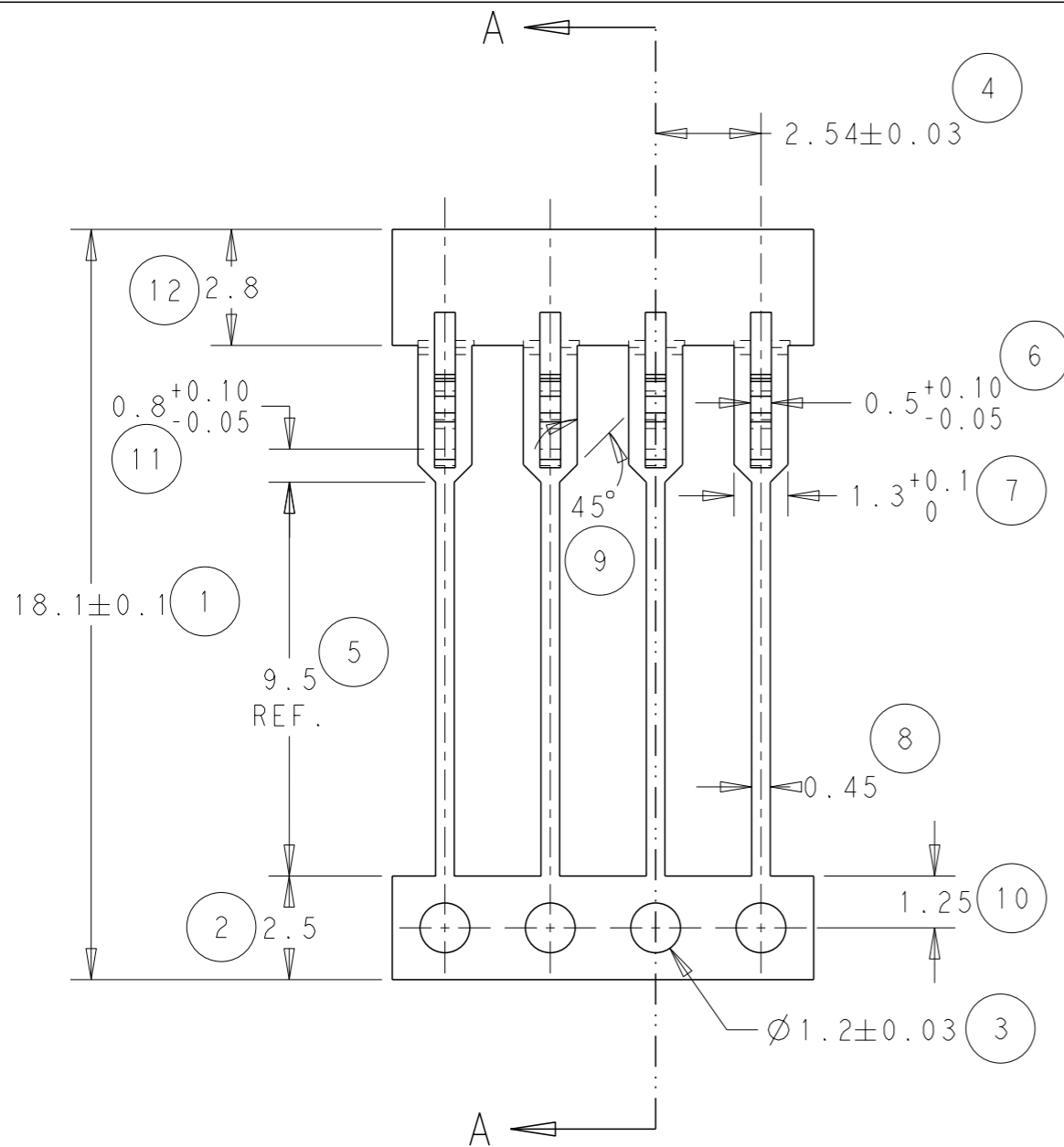
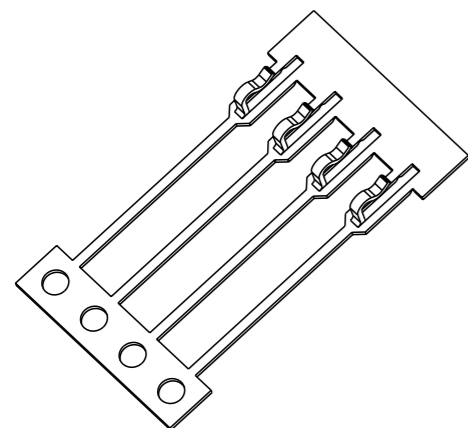


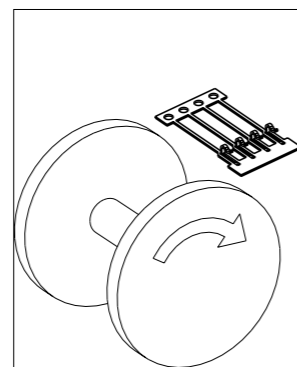
LOC	DIST	REVISIONS				
P	LTR	DESCRIPTION	DATE	DWN	APVD	
B	-	D	ECR-11-017472	02/08/11	JB	MG
		E	ECR-11-018539	12/09/11	JB	MG



NOTE
 BOWING: AFTER UPPER TIE BAR REMOVAL- 1.5mm MAX. FOR 500mm
 PITCH: AFTER UPPER TIE BAR REMOVAL- 2.54±0.127



SCALE 3:1

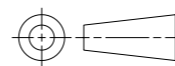


DIRECTION OF TOP OF REEL

DIRECTION "0"
 CONTACTS DOWN
 DIRECTION "1"
 CONTACTS UPWARDS
 DIRECTION

THIS DRAWING IS A CONTROLLED DOCUMENT.

DIMENSIONS: mm



TOLERANCES UNLESS OTHERWISE SPECIFIED:

0 PLC	±-
1 PLC	±-
2 PLC	±0.05
3 PLC	±-
4 PLC	±-
ANGLES	±0.5
FINISH	-

MATERIAL SEE ABOVE.

DWN	J. BRIGHT	02/08/11
CHK	M. GREENER	02/08/11
APVD	D. PENNINGTON	02/08/11
PRODUCT SPEC	-	-
APPLICATION SPEC	-	-
WEIGHT	-	-

0	Ni & Sn	1544256-2
0	Sn	1544256-1
REELING	FINISH	PART NUMBER



NAME				SIL CONTACT	
SIZE				RESTRICTED TO	
A3	00779	C=1544256			
CUSTOMER DRAWING	SCALE	NTS	SHEET	1	OF 1
			REV	E	