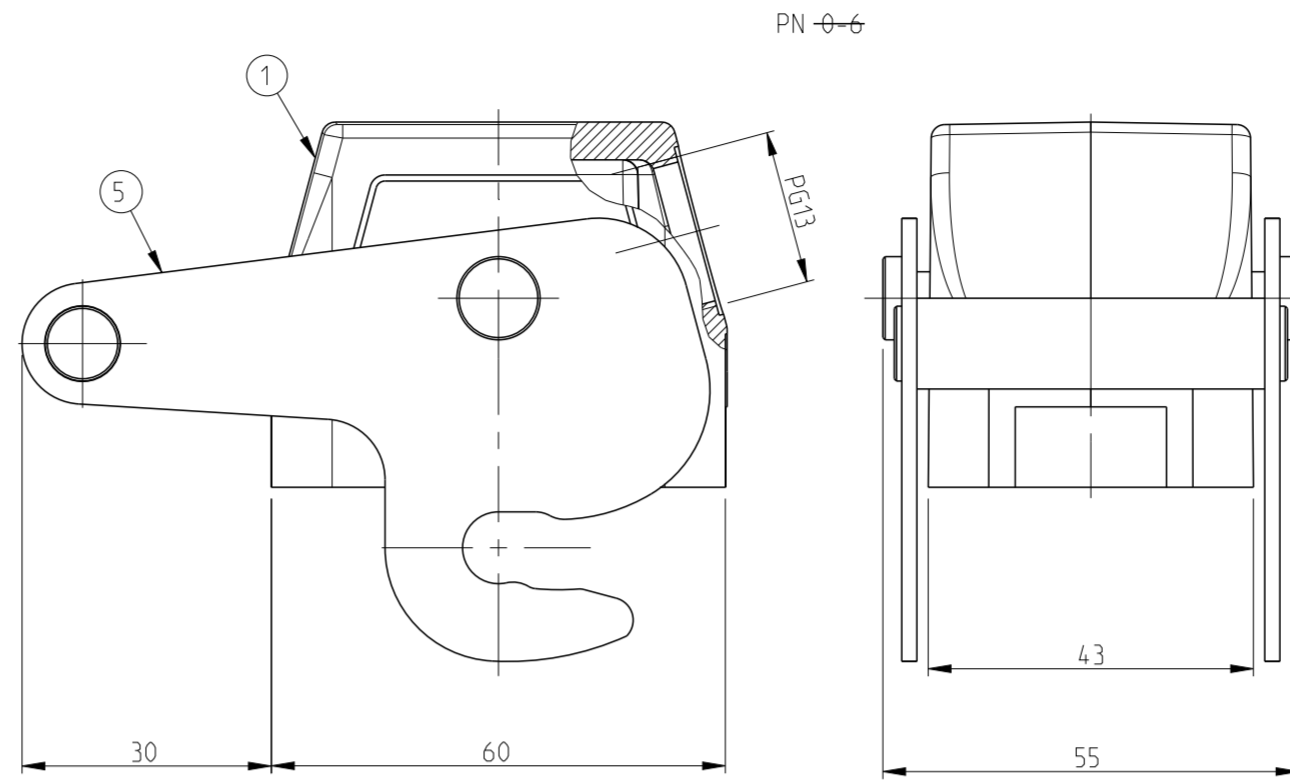
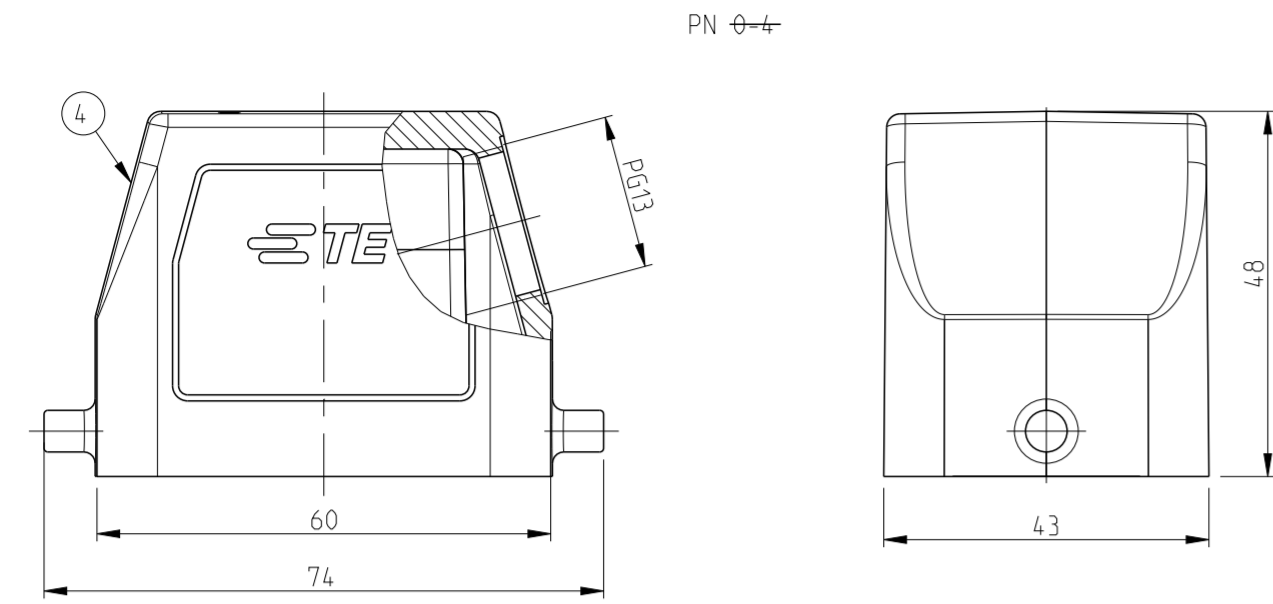
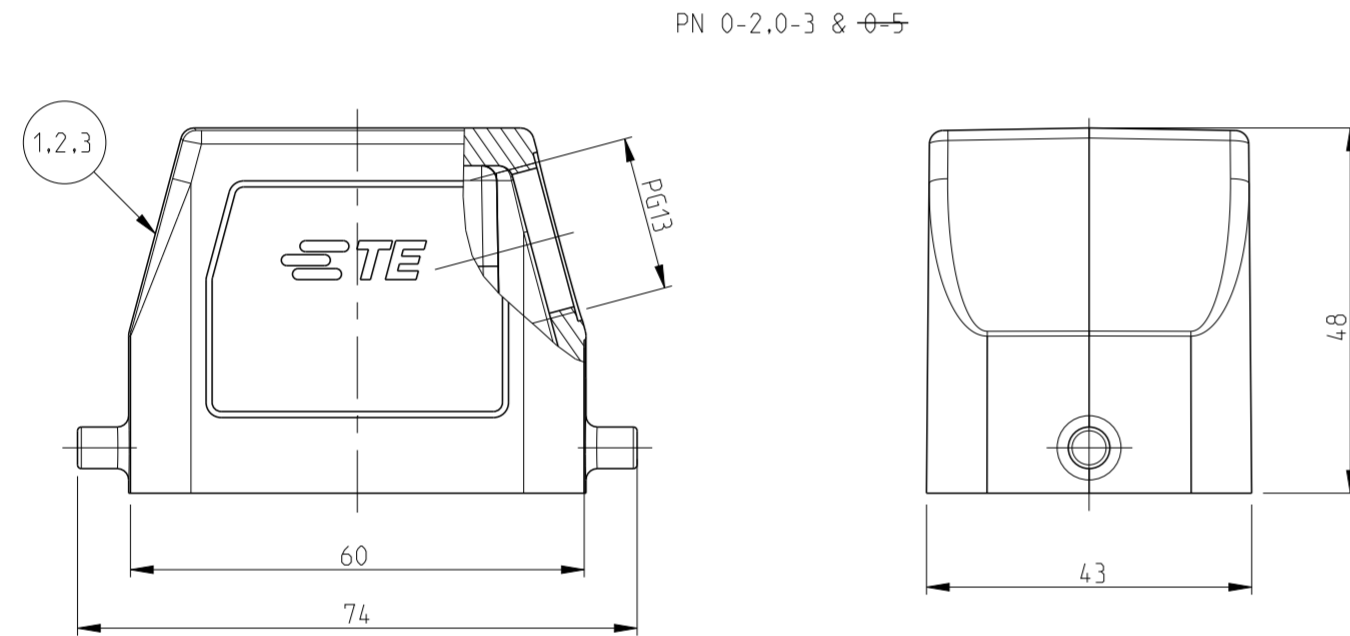
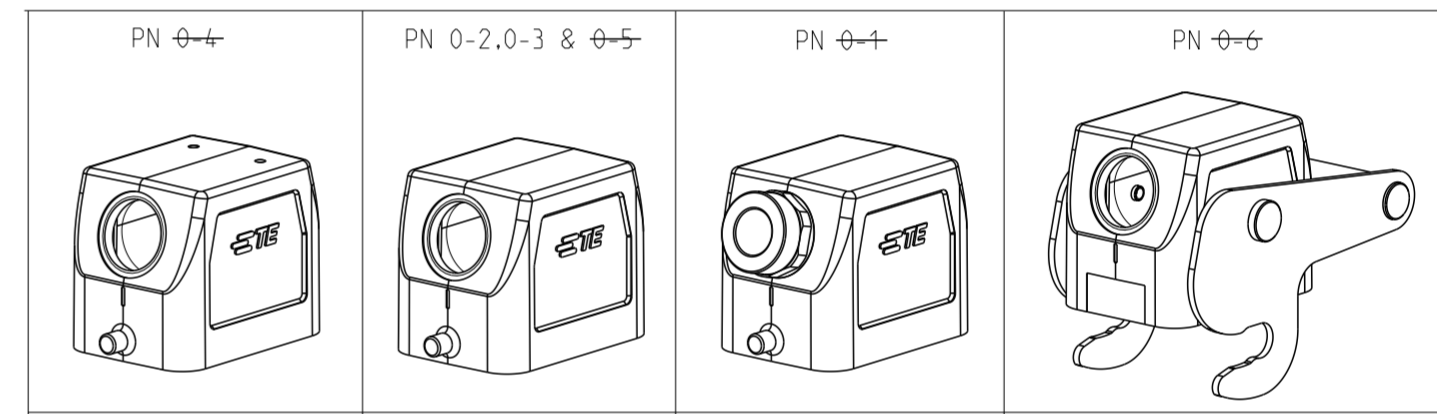


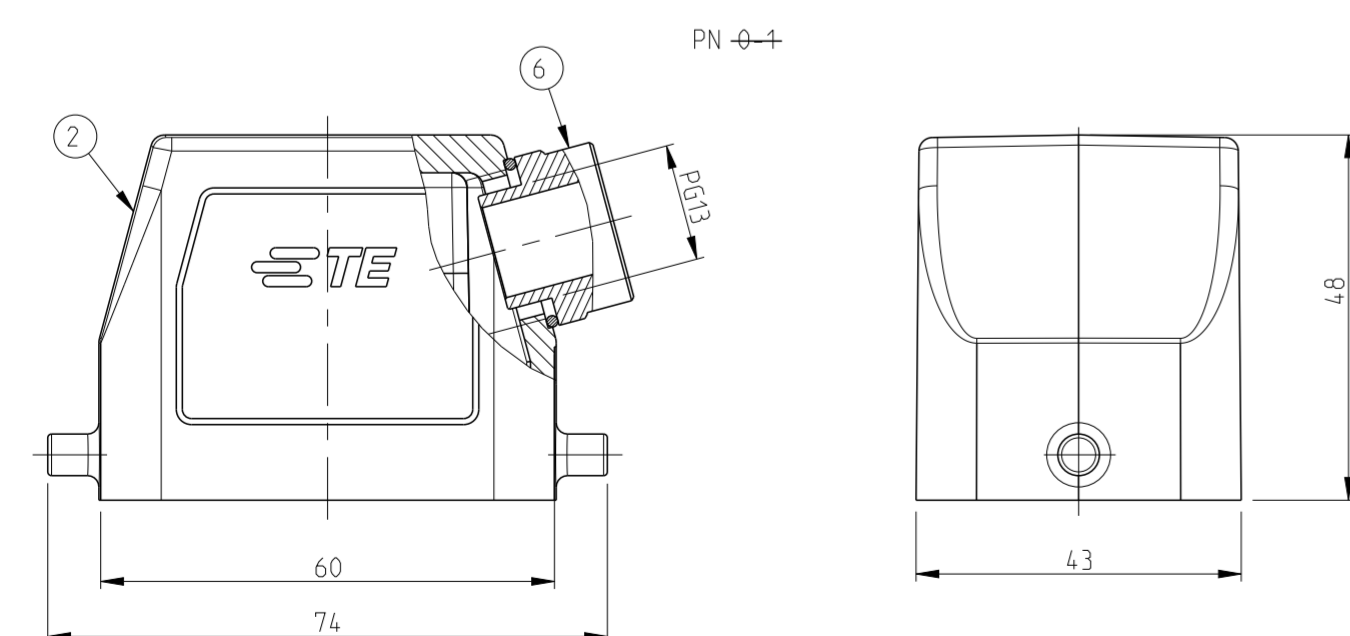
REVISIONS					
P	LTR	DESCRIPTION	DATE	DWN	APVD
A5		ECR-21-123577	28.JUL.2022	RK	JB



- Notes
- 1 Material: Housing: Aluminium diecasting alloy
  - 2 Surface:- Varnish-grey  
-Aluminium oxide-  
Varnish black
  - 3 Varnish on the inside not necessary
  - 4 Packaging  
Packaging quantity: 5 pieces in a box



OBSOLETE	OBSOLETE	OBSOLETE	OBSOLETE	DESCRIPTION	MATERIAL	SURFACE	COLOR	ITEM NO	NOTES
	1			O-Ring PG13	Perbunan		Black	9	
	1			Adapter	Brass	Nickel plated	Blue	8	
	2			Clip positioner-ZBI	Steel	Zinc plated	Blue	7	
	1			ZB-Side clip	Steel	Zinc plated	Blue	6	
	1			Hood HB6	Aluminium		Grey	5	
		1		Hood HB6	Aluminium	HC	ALU-Colored	4	
	1		1	Hood HB6	Aluminium	HC	Black	3	
			1	Hood HB6	Aluminium		Grey	2	
			1	Hood HB6	Aluminium		Grey	1	
0-6	0-1	0-2	0-5	0-4	0-3				
HB-6.STS.1.13G									
HB-6.STS.1.13.G+2.M3									
HB-K.6.STS.1.13.G									
HB-K.6.STS.1.13.G-S0									
HB-K.6.STS.1.13.Z									
HB-Z.6.STS-ZB.1.13.G									



THIS DRAWING IS A CONTROLLED DOCUMENT.

DWN Schneider 29.11.2002  
CHK Schweiger 29.11.2002  
APVD

**STE** TE Connectivity

NAME HOOD HB.6.STS.1.13.G.and Z

PRODUCT SPEC 108/74001/74003

APPLICATION SPEC

SIZE A2 CAGE CODE 100779 DRAWING NO C-1108573 RESTRICTED TO -

WEIGHT

CUSTOMER DRAWING SCALE 1:1 SHEET 1 OF 1 REV A5

DIMENSIONS: mm

TOLERANCES UNLESS OTHERWISE SPECIFIED:  
 0 PLC ±  
 1 PLC ±  
 2 PLC ±  
 3 PLC ±  
 4 PLC ±  
 ANGLES ±  
 FINISH