

# ST-17S1N8AH100S - Device connector, rear mounting



1613543

<https://www.phoenixcontact.com/us/products/1613543>

Please be informed that the data shown in this PDF document is generated from our online catalog. Please find the complete data in the user documentation. Our general terms of use for downloads are valid.



Device connector, rear mounting, straight, for standard and SPEEDCON interlock, M17, number of positions: 17, contact connection type: Socket, Axial O-ring, Central fixing, shielded: yes, degree of protection: IP67, number of positions: 17, connection method: Crimp connection, series: ST

## Your advantages

- Application-specific wall mounting optionally with thread or anti-rotation protection and lock nut
- Consistent EMC protection for reliable connection solutions in the industrial environment
- Crimping connection: vibration- and temperature-resistant assembly

## Commercial data

Item number	1613543
Packing unit	1 pc
Minimum order quantity	1 pc
Sales key	AB32
Product key	ABRACR
Catalog page	Page 69 (C-2-2019)
GTIN	4046356400947
Weight per piece (including packing)	31.9 g
Weight per piece (excluding packing)	29 g
Customs tariff number	85366990
Country of origin	DE

## Technical data

### Notes

General	Order crimp contacts Ø 0.6 mm separately
Safety note	
Safety note	<p>WARNING: The connectors may not be plugged in or disconnected under load. Ignoring the warning or improper use may damage persons and/or property.</p> <ul style="list-style-type: none"> <li>• WARNING: Commission properly functioning products only. The products must be regularly inspected for damage. Decommission defective products immediately. Replace damaged products. Repairs are not possible.</li> <li>• WARNING: Only electrically qualified personnel may install and operate the product. They must observe the following safety notes. The qualified personnel must be familiar with the basics of electrical engineering. They must be able to recognize and prevent danger. The relevant symbol on the packaging indicates that only personnel familiar with electrical engineering are allowed to install and operate the product.</li> <li>• The products are suitable for applications in plant, controller, and electrical device engineering.</li> <li>• When operating the connectors in outdoor applications, they must be separately protected against environmental influences.</li> <li>• Assembled products may not be manipulated or improperly opened.</li> <li>• Only use mating connectors that are specified in the technical data of the standards listed (e.g. the ones listed in the product accessories online at <a href="https://www.phoenixcontact.com/products">phoenixcontact.com/products</a>).</li> <li>• When using the product in direct connection with third-party manufacturers, the user is responsible.</li> <li>• For operating voltages &gt; 50 V AC, conductive connector housings must be grounded</li> <li>• Ensure that the protective or functional ground has been properly connected.</li> <li>• VDE 0100/1.97 § 411.1.3.2 and DIN EN 60 204/11.98 § 14.1.3 are applicable when combining several circuits in a cable and/or connector</li> <li>• Only use tools recommended by Phoenix Contact</li> <li>• The installation notes/Design In documents online on the download page at <a href="https://www.phoenixcontact.com/products">phoenixcontact.com/products</a> must be observed for this product.</li> <li>• Operate the connector only when it is fully plugged in and interlocked.</li> <li>• Ensure that when laying the cable, the tensile load on the connectors does not exceed the upper limit specified in the standards.</li> <li>• Observe the minimum bending radius of the cable. Lay the cable without twisting it.</li> <li>• The connector warms up in normal operation. Depending on the ambient conditions, the surface of the connector can continue to warm up. In this case, the user is responsible for posting</li> </ul>

# ST-17S1N8AH100S - Device connector, rear mounting



1613543

<https://www.phoenixcontact.com/us/products/1613543>

warnings (e.g. DIN EN ISO 13732-1:2008-12).

## Mounting

Mounting	Central fixing
Connection method	Crimp connection

## Product properties

Product type	Circular connectors (device side)
Number of positions	17
Connection profile	17
Application	Signal
Series	ST
Shielded	yes
Coding	N
Thread type	M17

## Material specifications

Seal material	FPM
Housing material	Turned parts: copper zinc alloy (CuZn), die-cast parts: zinc (GD-Zn)
Insulator material	PA 6.6
Gasket and O-ring material	FPM
Housing material	Metal

## Electrical properties

### Contact

Contact diameter	0.6 mm
Max. current	3.6 A
Nominal voltage $U_N$	48 V AC 74 V DC
Overvoltage category	III
Degree of pollution	3
Rated surge voltage	1.5 kV

## Connection data

### Conductor connection

Connection method	Crimp connection
Contact connection type	Socket

## Connector

Type	straight
Direction of rotation	Standard

### Connection 1

Head design	Socket
-------------	--------

# ST-17S1N8AH100S - Device connector, rear mounting



1613543

<https://www.phoenixcontact.com/us/products/1613543>

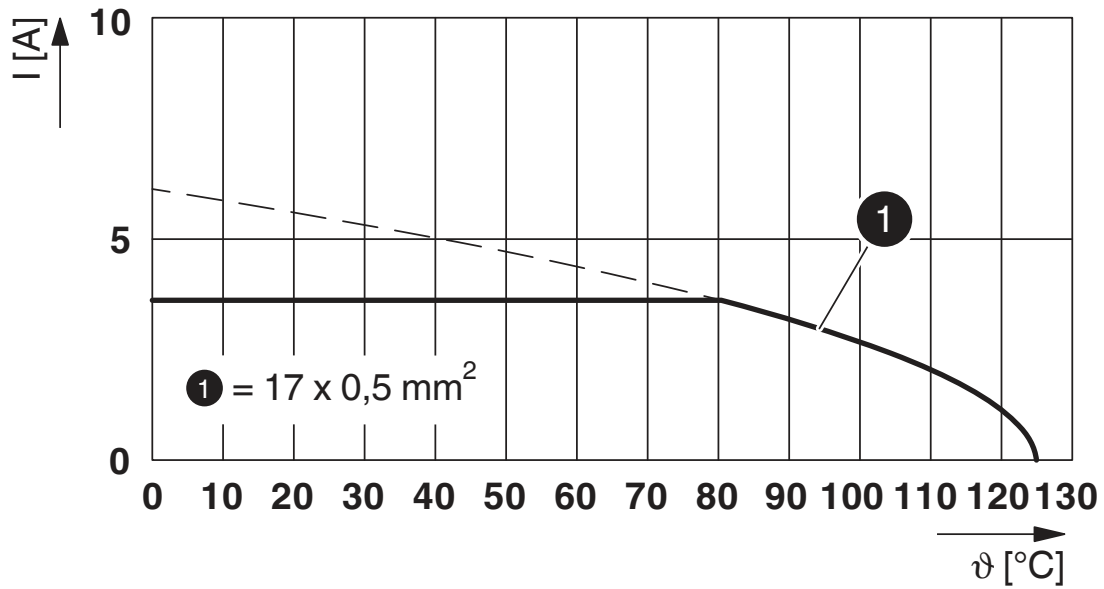
## Environmental and real-life conditions

### Ambient conditions

Degree of protection	IP67
Ambient temperature (operation)	-40 °C ... 125 °C
Altitude	3000 m

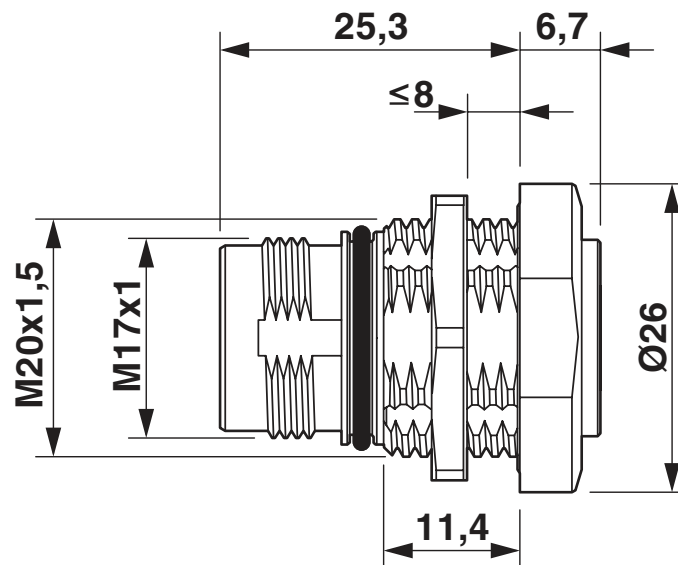
## Drawings

Diagram



$I$  = current strength,  $\vartheta$  = ambient temperature, 17x 3.6 A

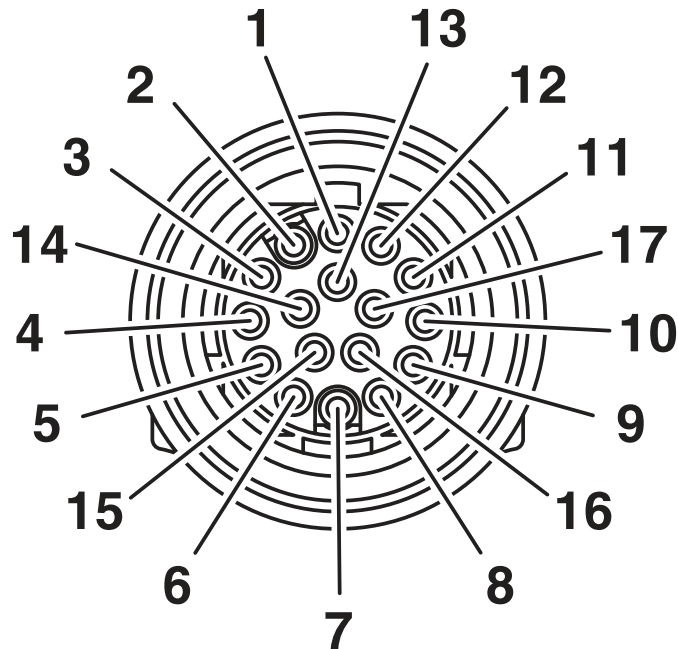
Dimensional drawing



1613543

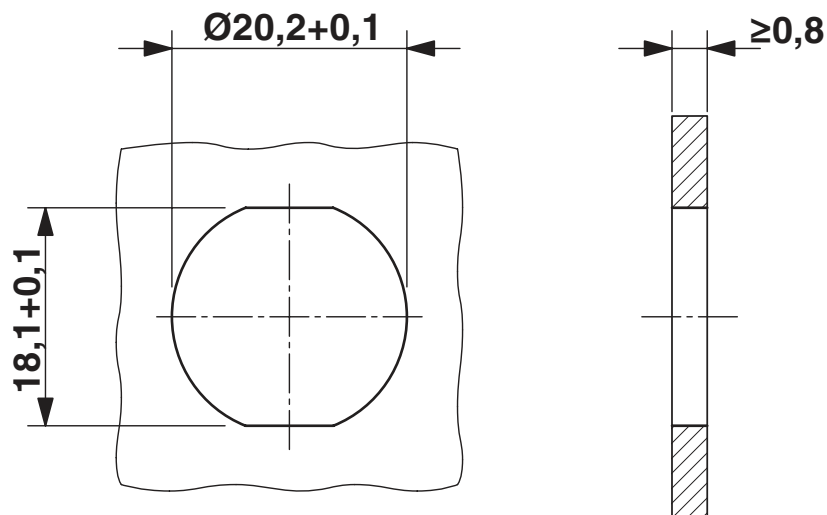
<https://www.phoenixcontact.com/us/products/1613543>

Schematic diagram



Connector pin assignment

Dimensional drawing



Installation dimensions: mounting with anti-rotation protection and locking nut

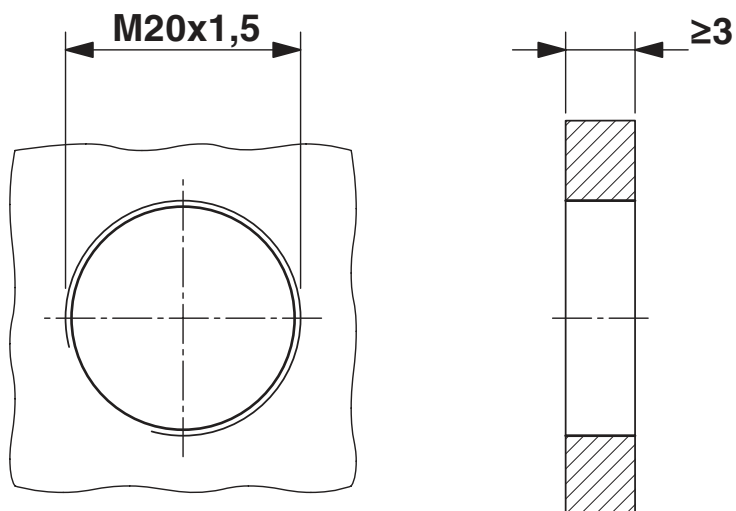
# ST-17S1N8AH100S - Device connector, rear mounting



1613543

<https://www.phoenixcontact.com/us/products/1613543>

Dimensional drawing



Installation dimensions: mounting with thread

# ST-17S1N8AH100S - Device connector, rear mounting





1613543

<https://www.phoenixcontact.com/us/products/1613543>


## Approvals


To download certificates, visit the product detail page: <https://www.phoenixcontact.com/us/products/1613543>

 <b>cUL Recognized</b> Approval ID: E335019-20111129				
	Nominal voltage $U_N$	Nominal current $I_N$	Cross section AWG	Cross section $\text{mm}^2$
	48 V	1 A	- 26	-

 <b>UL Recognized</b> Approval ID: E335019-20111129				
	Nominal voltage $U_N$	Nominal current $I_N$	Cross section AWG	Cross section $\text{mm}^2$
	48 V	1 A	- 26	-

 <b>EAC</b> Approval ID: B.01687				
---	--	--	--	--

 <b>UL Recognized</b> Approval ID: E153698-20140124				
	Nominal voltage $U_N$	Nominal current $I_N$	Cross section AWG	Cross section $\text{mm}^2$
	48 V	1 A	-	-

 <b>cUL Recognized</b> Approval ID: E153698-20140124				
	Nominal voltage $U_N$	Nominal current $I_N$	Cross section AWG	Cross section $\text{mm}^2$
	48 V	1 A	-	-



# ST-17S1N8AH100S - Device connector, rear mounting



1613543

<https://www.phoenixcontact.com/us/products/1613543>

## Classifications

### ECLASS

ECLASS-11.0	27440102
ECLASS-12.0	27440116
ECLASS-13.0	27440116

### ETIM

ETIM 8.0	EC002635
----------	----------

### UNSPSC

UNSPSC 21.0	39121400
-------------	----------

# ST-17S1N8AH100S - Device connector, rear mounting



1613543

<https://www.phoenixcontact.com/us/products/1613543>

## Environmental product compliance

China RoHS	Environmentally friendly use period: unlimited = EFUP-e
	No hazardous substances above threshold values

# ST-17S1N8AH100S - Device connector, rear mounting



1613543

<https://www.phoenixcontact.com/us/products/1613543>

## Accessories

### ST-06KS010 - Crimp contact

1607580

<https://www.phoenixcontact.com/us/products/1607580>



Crimp contact, Socket, turned, contact diameter: 0.6 mm, crimp range: 0.06 mm<sup>2</sup> ... 0.25 mm<sup>2</sup>, Alternative product in accordance with RoHS II without Exemption 6c (Pb <0.1%) item no.: 1242314

---

### ST-06KS020 - Crimp contact

1607581

<https://www.phoenixcontact.com/us/products/1607581>



Crimp contact, Socket, turned, contact diameter: 0.6 mm, crimp range: 0.14 mm<sup>2</sup> ... 0.34 mm<sup>2</sup>, Alternative product in accordance with RoHS II without Exemption 6c (Pb <0.1%) item no.: 1242314

# ST-17S1N8AH100S - Device connector, rear mounting



1613543

<https://www.phoenixcontact.com/us/products/1613543>

## ST-06KS030 - Crimp contact

1607582

<https://www.phoenixcontact.com/us/products/1607582>



Crimp contact, Socket, turned, contact diameter: 0.6 mm, crimp range: 0.34 mm<sup>2</sup> ... 0.5 mm<sup>2</sup>, Alternative product in accordance with RoHS II without Exemption 6c (Pb <0.1%) item no.: 1242315

---

## ST-Z0006 - Protective cap

1607776

<https://www.phoenixcontact.com/us/products/1607776>



Plastic protection cap for connectors with M17 external thread

# ST-17S1N8AH100S - Device connector, rear mounting



1613543

<https://www.phoenixcontact.com/us/products/1613543>

## ST-Z0019 - Color-coding

1620621

<https://www.phoenixcontact.com/us/products/1620621>

Color-coding, color: green



---

## ST-Z0020 - Color-coding

1620622

<https://www.phoenixcontact.com/us/products/1620622>

Color-coding, color: orange



# ST-17S1N8AH100S - Device connector, rear mounting



1613543

<https://www.phoenixcontact.com/us/products/1613543>

## ST-Z0021 - Color-coding

1620623

<https://www.phoenixcontact.com/us/products/1620623>

Color-coding, color: black



---

## ST-Z0001 - Contact removal tool

1607770

<https://www.phoenixcontact.com/us/products/1607770>

Unlocking tool for contact carriers for snapping in the M17 device connectors



# ST-17S1N8AH100S - Device connector, rear mounting



1613543

<https://www.phoenixcontact.com/us/products/1613543>

## RC-13041 - M20 x 1.5 locking nut

1600417

<https://www.phoenixcontact.com/us/products/1600417>

M20 x 1.5 locking nut, Screw mounting, M20 x 1,5, Alternative product in accordance with RoHS II without Exemption 6c (Pb <0.1%) item no.: 1241209



---

## ST-Z0014 - Metal protective cap

1616069

<https://www.phoenixcontact.com/us/products/1616069>

Metal protective cap, M17, degree of protection: IP67, series: ST, Alternative product in accordance with RoHS II without Exemption 6c (Pb <0.1%) item no.: 1243010



# ST-17S1N8AH100S - Device connector, rear mounting



1613543

<https://www.phoenixcontact.com/us/products/1613543>

## ST-Z0013 - Metal protective cap

1616068

<https://www.phoenixcontact.com/us/products/1616068>

Metal protective cap, M17, degree of protection: IP67, series: ST, Alternative product in accordance with RoHS II without Exemption 6c (Pb <0.1%) item no.: 1243009



---

Phoenix Contact 2023 © - all rights reserved

<https://www.phoenixcontact.com>

Phoenix Contact USA  
586 Fulling Mill Road  
Middletown, PA 17057, United States  
(+717) 944-1300  
[info@phoenixcon.com](mailto:info@phoenixcon.com)